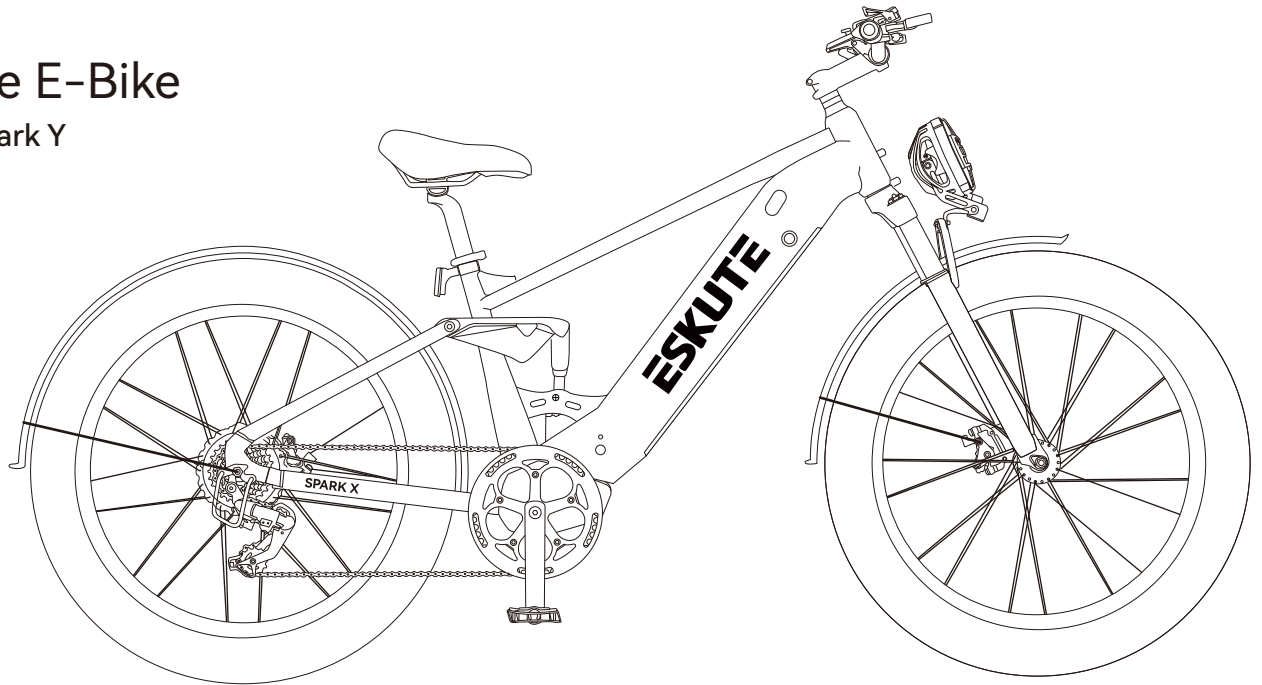




# User Manual

Fat Tire E-Bike

Model: Spark Y



[www.eskute.com](http://www.eskute.com)

# WELCOME!

Congratulations on the purchase of your new Spark Y and welcome to the Eskute Team!

## About this User Manual

It is important for you to understand your new electric bike. Even if you have ridden an e-bike before, it is important for every person to read this manual before riding – you'll know how to get better performance, comfort, and enjoyment from your new e-bike!

### CAUTION



### WARNING

Before riding your e-bike, you will need to charge your battery fully before using. Failure to do so may damage the battery life and performance.

Don't dismantle and repair parts by yourself, please go to the local distributor or the servicing station if necessary. For any questions or concerns, please email to [support@eskute.com](mailto:support@eskute.com) or visit [www.eskute.com](http://www.eskute.com).

# TABLE OF CONTENTS

## SECTION

**1. Geometry** ..... 01

**2. Specification** ..... 02

**3. Assembling Your Bike** ..... 03

Handlebars

Front Wheel

Seat / Saddle

Pedals

**4. Charging the Battery** ..... 08

**5. Maintenance Instructions** ..... 11

Tires

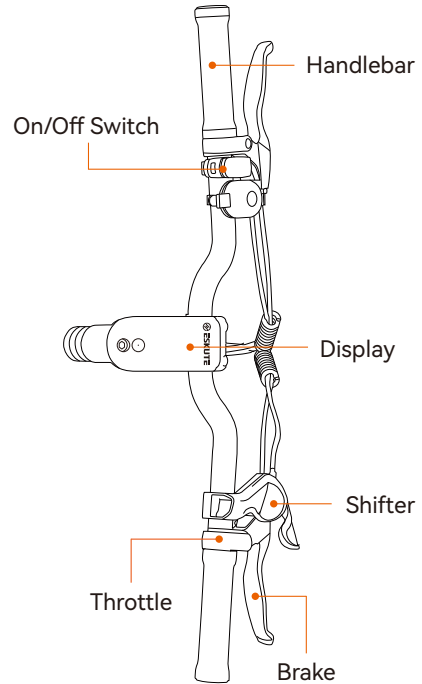
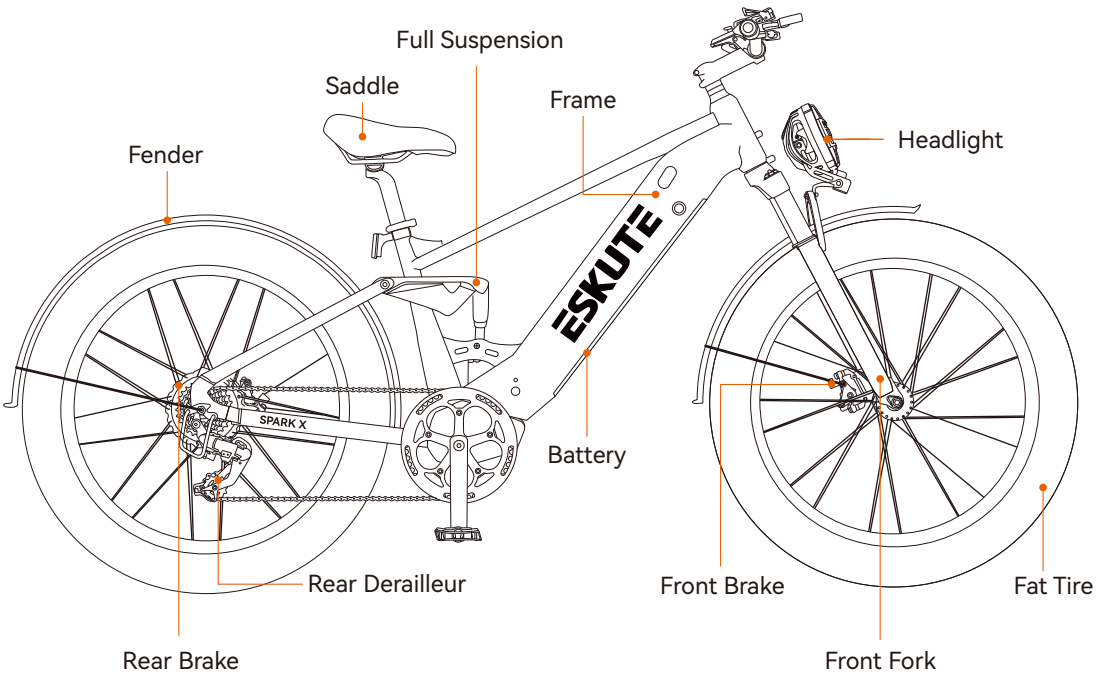
Brakes

Battery Care

**6. More Tips** ..... 18

**7. Warranty** ..... 19

# Geometry



# Specification

Model	Spark Y	
Battery	Capacity	48V,20Ah (960Wh)
	Range	40-70 Miles Average (estimate)
	Charger	54.6V, 3A
	Charging Time	4-5 Hour Charging
Motor	Power	48V, 750W Sutto (Bafang) Hub Motor
Display	Display	LED Display with APP
Suspension	Fork	Hydraulic lockout, Coil spring adjust for preload
Derailleur	Shifter	SHIMANO 7 Speed
Tires	Front & Rear	Kenda, 26" x 4.8"
Brake	Brakes	Hydraulic Disc Brakes
Riding Requirement	Suitable Height	5'4" - 6'5"
	Load Capacity	276 lbs
Weight	Product	79 lbs

# Assembling Your Bike

**NOTE:** Before assembling, check that all parts are complete and in good condition. If you have any questions or cannot find the information you need in the manual, please contact at [support@eskute.com](mailto:support@eskute.com).



## STEP 1. Install the Handlebars

1. Using the Allen wrench, unscrew the 4 bolts and remove the stem plate.
2. Place your handlebars into the groove and replace the stem plate over the top. Tighten the bolts about 3/4 this of the way.
3. Make the final adjustments on your handlebars position, ensuring that they are centered and at a comfortable angle before tightening the bolts the rest of the way.

**Note: DO NOT** depress the brake levers before installing the front wheel.

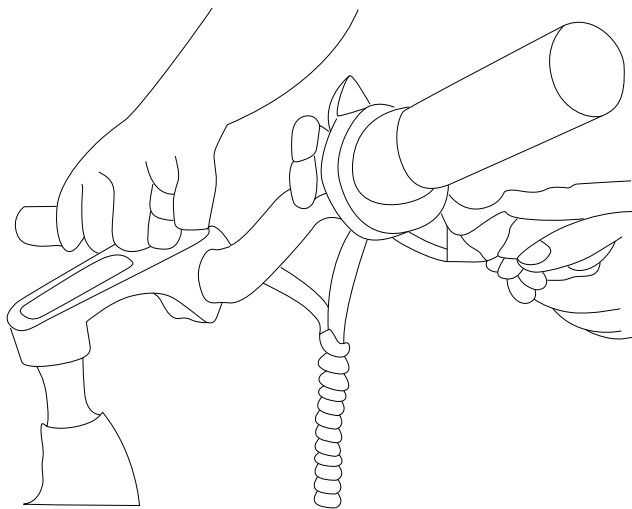


Figure 1. Stem plate bolt removal.

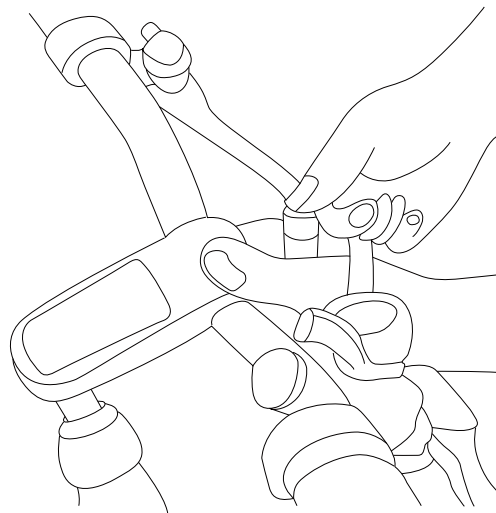


Figure 2. Tightening stem plate bolts.

## STEP 2. Install the Front Wheel

1. Take off the plastic protective gaps on each side, throw these away.
2. Loosen up both bolts until you are able to slide the wheel into place, making sure the brake caliper slides onto the rotor and both of the forks are properly hooked onto the wheel, fasten and screw the bolts.

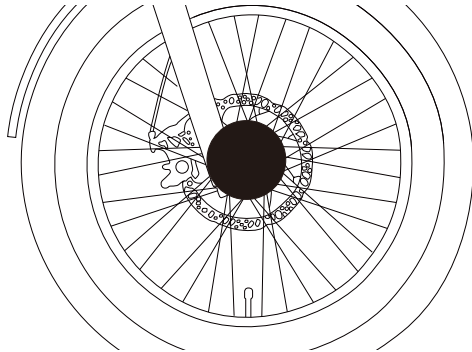


Figure 3. Remove the protective caps

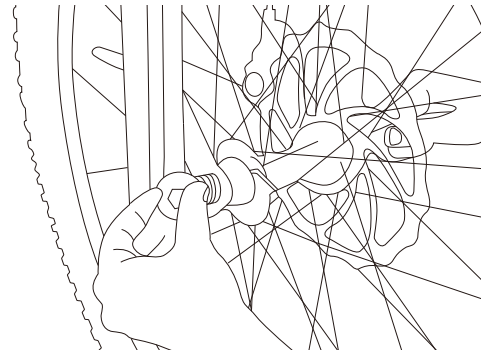


Figure 4. Fasten both screws



## STEP 3. Install the Seat Post

1. Loosen the seat post clamp and insert saddle post.
2. Adjust saddle to the preferred height then tighten clamp.

Tip: DO NOT raise the saddle higher than the safety line.

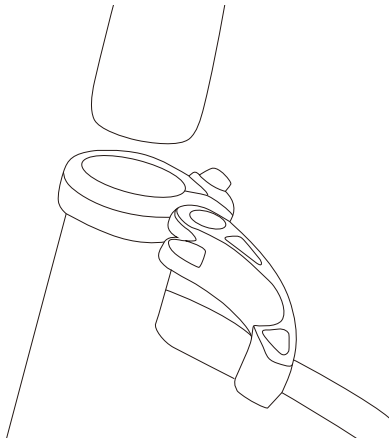


Figure 5. Dropping seat into bike.

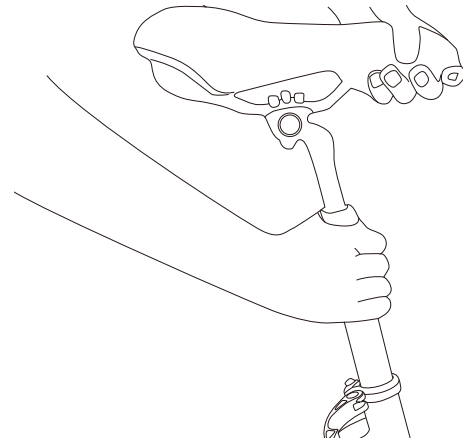


Figure 6. Tighten the seat post clamp

## STEP 4. Install the Rear Light / Reflector

- 1.Wrap the bracket for the rear reflector around the seat post.
- 2.Secure with the included Phillips head screw.
- 3.Position the reflector facing rearward.

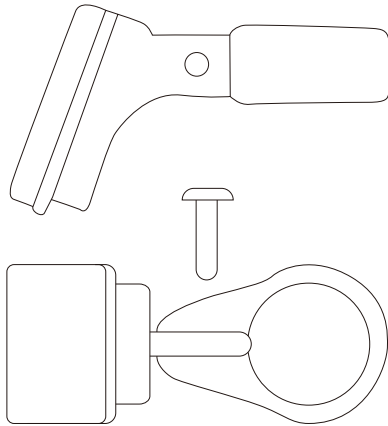


Figure 7. Fix the screws.

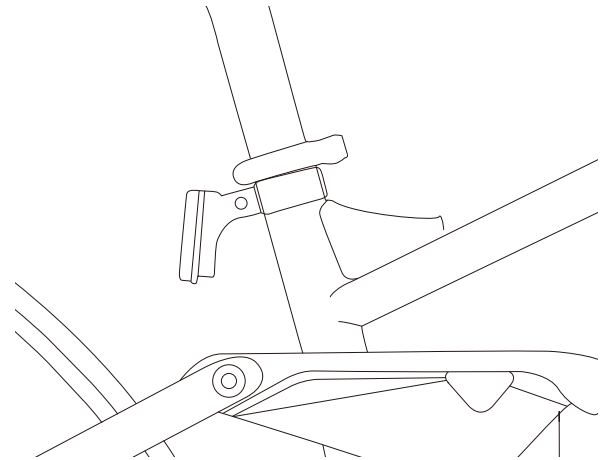


Figure 8. Tighten the screws.

# STEP 5. Attach the Pedals

1. Check the end cap on both pedals in order to identify the left and right pedal.

Tip: Imagine that you are sitting on the bike to correctly determine left vs. right side.

2. Grab the wrench, and screw the pedal tightly into the correct crank. The pedals should thread smoothly and easily if properly aligned.

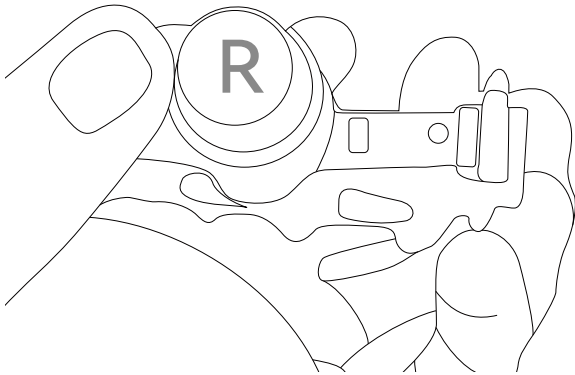


Figure 9. Left vs. right pedal

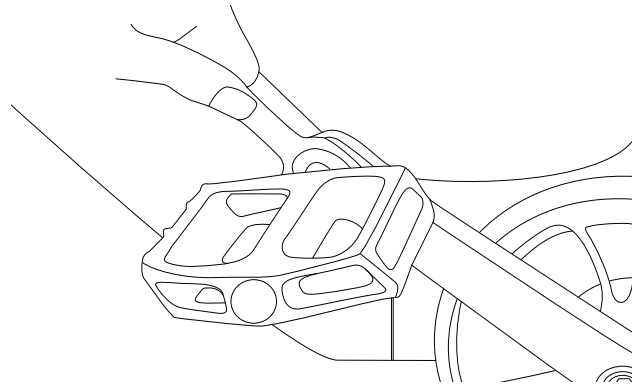


Figure 10. Attaching pedal to crank

# Charging the Battery

Tip: The battery can be charged on/off your bike. Make sure that your motor system and battery is turned completely off before beginning any charging procedures.

1. Use your key to unlock the battery pin, then pull the battery up from the bottom and slide it downward to remove it from the frame.

Tip: To replace the battery, insert the top end in first, slide it upward, then push in the bottom end until it's fully seated.

2. Connect the charger to the port located on the battery first, then plug the charger into the AC power outlet to charge it.

Tip: Allow the battery to fully charge for about 8-12 hours for the first few cycles. After this, you may charge it normally (4-6 hours).

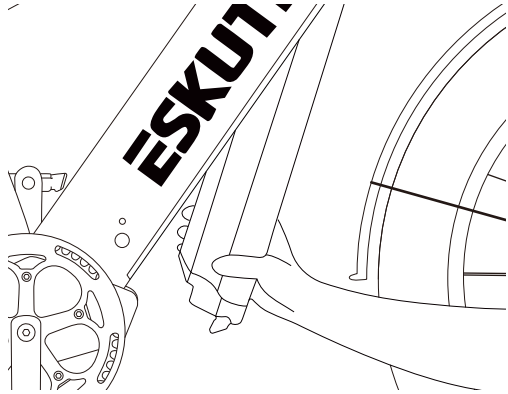


Figure 11. Removing the battery

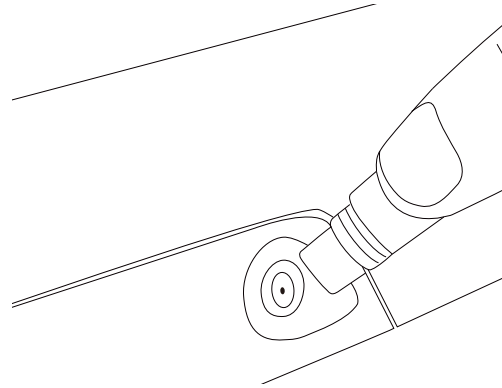
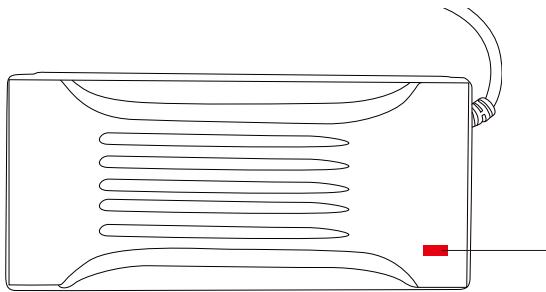


Figure 12. Charging your battery

3. Plug your charge into an outlet. The indicator light will turn green.



**Green Light:**

Not charging / Fully charged

**Red Light:**

Charging / Not fully charged

Figure 13. Checking the charger indicator

4. You can also check the battery life by pressing on the button toward the bottom of the battery pack. The light will indicate how much juice is left in your battery.

**Green** ■■■ Fully charged

**Red** ■ Signal

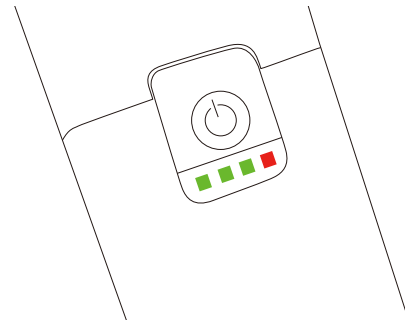


Figure 14. Checking battery life

5. After allowing your bike to fully charge, test to make sure the LCD display is working. Locate your handlebar controls, then press and hold the “MODE” button until the LCD screen turns on. (Repeat this step to turn it off).

6. Familiarize yourself with your LCD screen, so that you can easily check your current speed, distance traveled, battery life, and pedal assist levels while riding

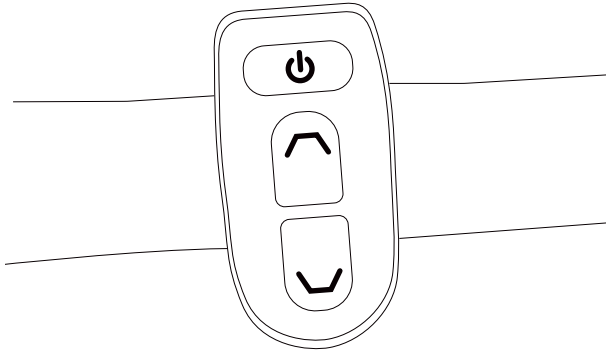


Figure 15. Checking on/off switch

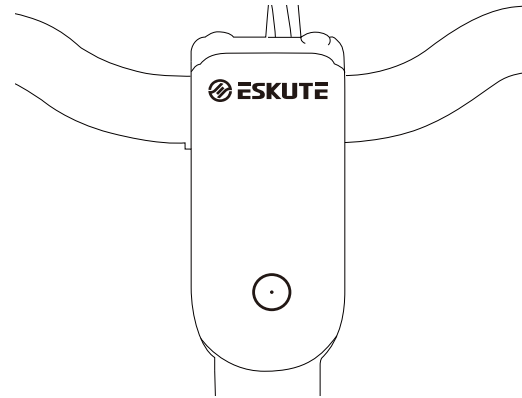


Figure 16. Checking the LCD display

## Cheers!

Your Spark Y is now fully assembled in all its glory. Give yourself a pat on the back and admire your work. Take some pictures, call a friend, and take a well-deserved break while charging.

# Maintenance Instructions

# BRAKES



It's important that you learn, and remember, which brake lever controls each brake (front/rear) in order to ensure your safety.

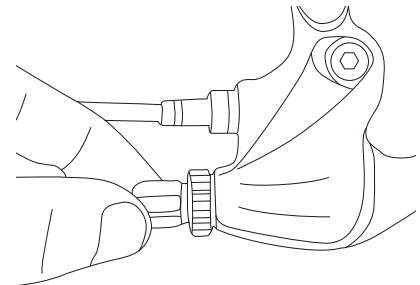
Traditionally, the right brake lever will control the rear brake, while the left brake lever will control the front brake. However, this may vary depending on what country you are in, and can always be adjusted to suit your own preference.

To check which configuration your eBike is set up with, squeeze one brake lever and look to see whether the front or rear brake engages. Now do the same with the other brake lever. Remember this configuration.

While you are testing the brake configuration, make sure that your hands can comfortably reach and squeeze the levers with no issues. If you experience any issues or discomfort operating the brakes, please reach out to us before riding

## Disc Brakes

1. Test your brake tension by squeezing your brake levers. If they feel too loose, adjust the tension by twisting the barrel adjusters on either side.





Tip: Twist clockwise to decrease tension, and counterclockwise to increase tension.



Riding with worn brake pads, improperly installed brakes, or wheels where you can visibly see the wear from the brake pads, is dangerous and can result in serious injury or death.

Applying the brakes suddenly or with too much pressure can result in your wheel locking up. This can cause you to lose control and fall. Some brakes (like hydraulic disc brakes) are incredibly powerful, so it's important that you take extra care when becoming familiar with using these brakes.

Disc rotors have sharp edges, exercise caution when handling them during maintenance.

Sudden or excessive application of the front brake may pitch the rider over the handlebars.

# TIRES

Your Spark Y will come standard with 26" X 4.8" CST fat tires. It's important that you understand the appropriate conditions and terrain these tires can handle, in order to ensure safe riding

## Tire Pressure

Size, pressure rating and other information can often be found on the sidewall of the tire. Tire pressure is the most key piece of information for you to remember



**Inflating a tire beyond the maximum pressure can blow the tire off the rim, resulting in damage to the bike and potential injury to the rider.**

Using a bike specific tire pump with a built-in pressure gauge is highly recommended. If you do not have access to one, or do not feel comfortable inflating them yourself, please seek professional assistance from your local bike shop.

High tire pressures work best for smooth, dry pavement rides, while low pressures give the best performance on smooth, slick terrain. However, increasing or decreasing tire pressure will have no affect on the terrain that the tire is designed to handle. A road tire at low pressure still cannot handle terrains such as clay or sand.

If you are unsure, reach out to us or your local bike shop to determine the best tire pressure for the kind of riding you will do most often.

## **BATTERY CARE**

It's important to follow these instructions and safety tips in order to preserve the longevity of your battery's life and ensure proper performance.

Fully charge the battery before each ride to make sure it's ready to go the full range. This will help reduce the chance of over-discharging the battery.



**If the battery becomes physically damaged, non-functional, has been dropped, or involved in a crash, or you notice it performing abnormally, please discontinue use and contact ESKUTE BIKE immediately.**

## **Charging Your Battery**

The charger is rated for 100-240V. Be sure to check the charger, charging cables, and battery for damage before beginning each charge.

Charging time takes about 4-6 hours. On rare occasion, it may take longer to allow the battery to fully charge, particularly when the bike is new or has been stored for long period of time.



Only charge the battery with the supplied ESKUTE charger, as others may cause damage to the battery or increase the possibility of fire or explosion.

While the charger is designed to automatically stop charging once the battery is full, do not leave it plugged in for periods of time greater than 12 hours.

Make sure your charger avoids contact with liquids, dirt, and debris.

The charger may get hot while in use. However if it gets too hot to touch, or you notice anything such as a strange smell or other indications that it may possibly be overheating, discontinue use immediately and contact ESKUTE Bike.

- Do not cover the charger while in use.
- Do not open the charger or alter the voltage input.
- If there appears to be any issue with the charger or battery, stop riding and contact us immediately.

## **Balancing Your Battery**

When you first receive your bike, it's important that you follow these steps to ensure that your battery cells are properly balanced in order to optimize battery longevity.

1. For the first initial charge upon receiving your bike (or after long storage time), be sure to charge the battery for at least 8 hours before riding.

**Note:** We recommend that you let the battery charge for at least 8 hours for the first 3 charges to make sure the cells balance properly

2. After the first 3 rides, you may begin normal charging procedures

## Storing Your Battery

If you plan on storing your bike (or spare battery) for longer than two weeks at a time, please be sure to follow these guidelines in order to maintain the lifespan of your battery.

It is recommended that you do not leave the battery at lower than an 80% charge when storing for long periods of times. If storing for a month or longer, periodically check the battery and be sure to keep the charge up to at least 80%.

Store your battery in a cool, dry area away from water and other elements at a temperature between 50°F - 77 °F (10°C - 25°C).



**Failure to follow proper battery care practices can result in unnecessary wear to the components, battery, and/or charger, which could lead to a battery that underperforms, or becomes non-functional. Loss of battery capacity is not covered by warranty.**

# More Tips



Proper maintenance is essential for your safety and to ensure that you get optimal performance from your eBike. If you are unable to perform the general maintenance yourself, please reach out to a qualified mechanic.

- Be sure to frequently inspect and tighten your crank bolts as needed. Crank bolts can loosen on any bike, especially after strenuous use.
- While you are able to ride in the rain, rust is a bikes worst enemy! Be sure to dry off your ebike after a wet ride.
- In general, it is good to give your bike a nice wipe down with a damp rag when it gets particularly dirty. Make sure to be mindful when going near the electronics.
- Inspect the bolts on a regular basis to ensure that they are tight and all components are secure.
- Properly inflate your tires. Under inflated tires are prone to flats and can affect the smoothness of your ride.

# Warranty

## ESKUTE LIMITED WARRANTY TERMS

All ESKUTE Bikes and their individual components are protected against all manufacturing defects in material or workmanship for one year after the date of a qualifying purchase. This Limited Warranty is only in accordance with the following terms:

- This limited warranty applies only to the original owner of an ebike purchased from ESKUTE's online store or an authorized ESKUTE retailer.
- The limited warranty is expressly limited to the replacement of defective battery, frame, fork, stem, handlebar, headset, seat post, saddle, brakes, bottom bracket, crank set, pedals, rims, wheel hub, freewheel, cassette, derailleur, shifter, motor, throttle, controller, LED display, kickstand and reflectors.
- The above components are warrantied to be free of defects in materials and/or workmanship during the one-year warranty period.

## **THIS WARRANTY DOES NOT COVER:**

- Normal wear and tear of any of the components listed above.
- Typical consumables or normal wear and tear parts: tires, tubes, brake pads, disc brake rotors, brake or derailleur cables and housing, grips, chain, chain-rings and spokes.
- Damage or failure due to accident, misuse, abuse, or neglect
- Damages resulting from improper charging of the battery pack or use of any charger not supplied by Eskute Bike

## **WARRANTY CLAIMS PROCESS:**

ESKUTE WILL NOT REPLACE ANY COMPONENT UNDER THIS LIMITED WARRANTY WITHOUT FIRST SEEING PHOTOS OR VIDEO OF THE DAMAGED COMPONENT.



To exercise your right to receive a replacement for a component under this Limited Warranty, you must:

- Contact the ESKUTE Technical Support team by email at [support@eskute.com](mailto:support@eskute.com). The team will initially work with you to troubleshoot your ebike to identify potential simple fixes.
- If the Technical Support team determines that a component must be replaced, they will provide you with a set of instructions for returning the defective component and receiving the replacement.
- After you receive the replacement component, the Technical Support team will also assist in determining how to replace or install the new component into your ebike.
- You will be responsible for shipping costs associated with returning a component, unless ESKUTE agrees in writing to pay for such shipping costs. Replacement components under this Limited Warranty shall only be shipped to the address of the original purchaser.

# Welcome to the family

Company: Shenzhen Huitong Global Trade Co., Ltd.  
Add: Saixi Technology Building No.2402, Yuehai Street Binhai  
Community, Binhai Boulevard No.3398, Shenzhen

E-Mail: [support@eskute.com](mailto:support@eskute.com)  
Website: [www.eskute.com](http://www.eskute.com)

Made in China

**RoHS REACH**   

