

30" Industrial Style Induction Range

800 Series – Stainless Steel HIS8055U



HIS8055U
Stainless Steel

The 30" 4 element industrial-style induction range delivers power and performance in a commercial-inspired design.

Features & Benefits

Convection Pro combines a third heating element with a back fan for even browning and time savings by using multiple racks at one time.

Frameless, edge-to-edge surface glass cooktop for a sleek, streamlined look.

Dampened hinges softly guide the QuietClose® door shut so the oven door never slams.

Heavy-duty metal knobs have a premium look and feel.

Easy to view, ergonomic tilted display.

Induction cooking is faster and more efficient than gas or electric.

Integrated temperature probe cooks meat to your desired doneness without any guesswork.

General Properties

| | |
|-----------------|---|
| Cooking modes | Bake, Convection Bake, Broil, Convection Broil, Convection Roast, Pizza, Proof, Convection Multi-Rack, Sabbath Mode |
| Cleaning type | Catalytic cleaning |
| Type of surface | Ceramic Glass |
| Knob material | Metal |
| Interior light | 1 |
| Kitchen timer | Yes |

Oven Performance

| | |
|----------------------------|-----------------|
| Bake / broil element watts | 1,700 / 2,900 W |
| Convection element watts | 2,700 W |

Burner Performance

| | |
|------------------------------------|--------------------------|
| Total induction elements | 4 |
| Power of back left element watts | 1,400 W (2,200 w/ boost) |
| Power of front left element watts | 2,300 W (3,700 w/ boost) |
| Power of front right element watts | 2,300 W (3,700 w/ boost) |
| Power of back right element watts | 1,850 W (3,000 w/ boost) |

Technical Details

| | |
|-------------------------|----------------------------|
| Watts | 8,000 W |
| Circuit breaker | 40 A |
| Volts | 208V / 240V |
| Frequency | 60 Hz |
| Plug type / Cord length | Fixed connection (no plug) |
| Energy source | Electric |



Dimensions & Weight

| | |
|--|--|
| Overall appliance dimensions (HxWxD) | 36" x 29 15/16" x 24 15/16" (26 1/2" with bull nose) |
| Required cutout size (HxWxD) | 36" x 30" x 25" |
| Adjustable range height | 35 9/16" Min. 36 13/16" Max. |
| Oven cavity size | 3.9 cu. ft. |
| Overall oven interior dimensions (HxWxD) | 17 3/8" x 24 1/3" x 18 3/8" |
| Usable oven interior dimensions (HxWxD) | 17 5/16" x 22 13/16" x 17 1/8" |
| Net weight | 212 lbs |

Accessories—Included

Use and care manual, installation guide, temperature probe, 2 standard racks

Accessories—Optional



HEZ390230
10" AutoChef® pan for 8" and 9" elements



HEZ9Y204UC
Side Panel Extension Kit
Stainless Steel



HEZ9TK30UC
30" Toe Kick
Stainless Steel



HEZ9LLUC
Metal Pedestal Feet
Stainless Steel

Accessories: To purchase Bosch accessories, cleaners & parts please visit www.bosch-home.com/us/store or call 1-800-944-2904 (Mon to Fri 5 am to 6 pm PST, Sat 6 am to 3 pm PST).

Notes: All height, width and depth dimensions are shown in inches. BSH reserves the absolute and unrestricted right to change product materials and specifications, at any time, without notice. Consult the product's installation instructions for final dimensional data and other details prior to making cutout.

Warranties: Please see Use & Care manual or Bosch website for statement of limited warranty.

For more information on our entire line of products, go to www.bosch-home.com/us or call 1-800-944-2904

© BSH Home Appliances Corporation. All rights reserved. Bosch is a registered trademark of Robert Bosch GmbH.

30" Industrial Style Induction Range

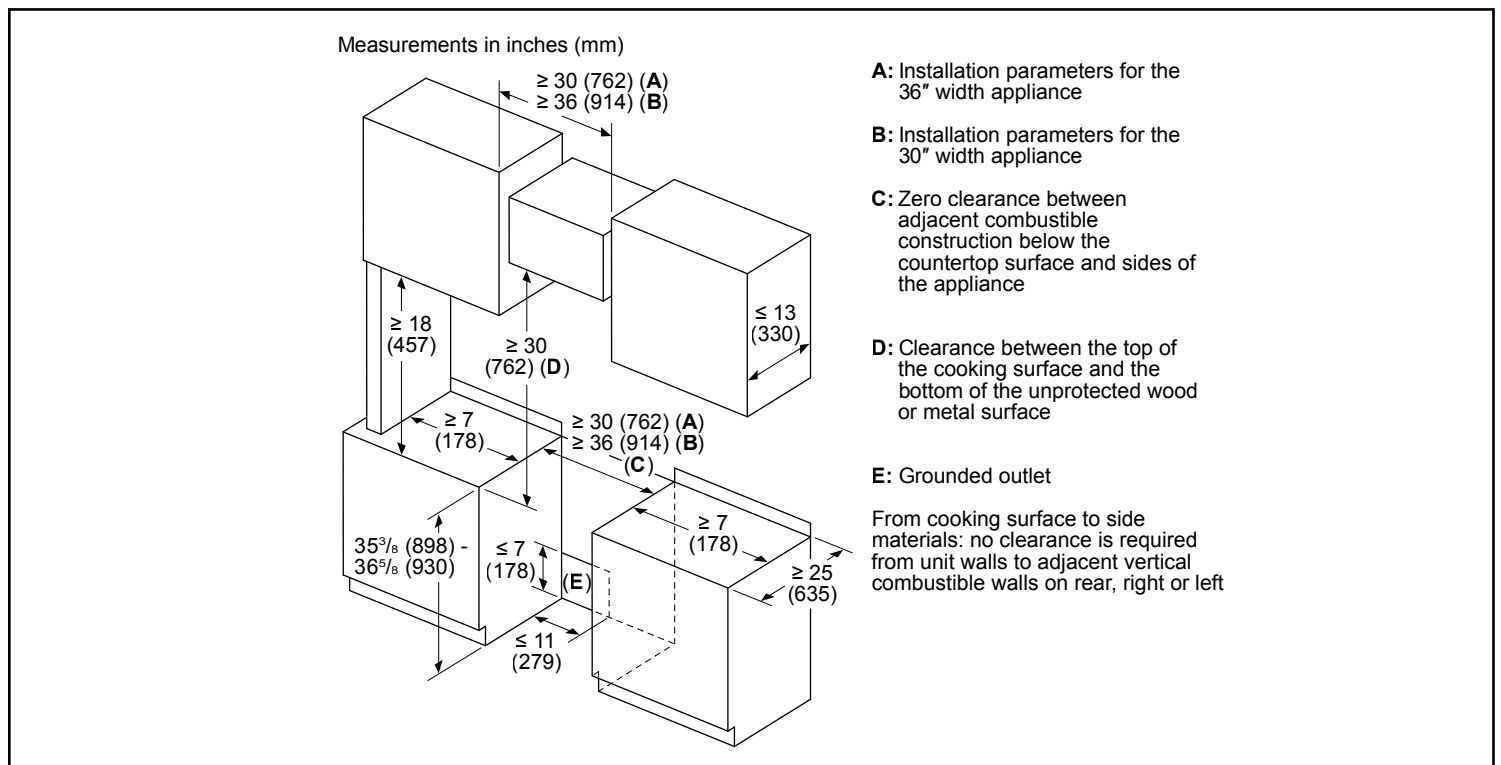
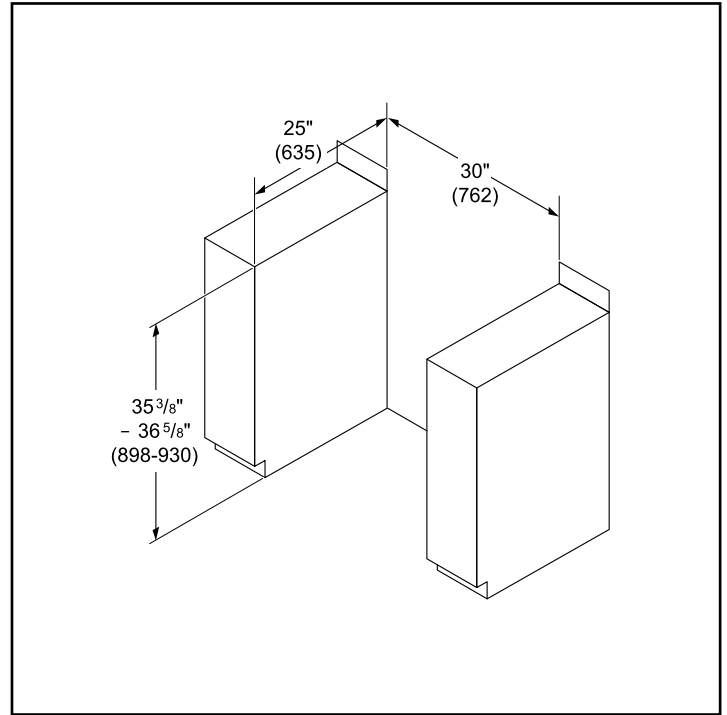
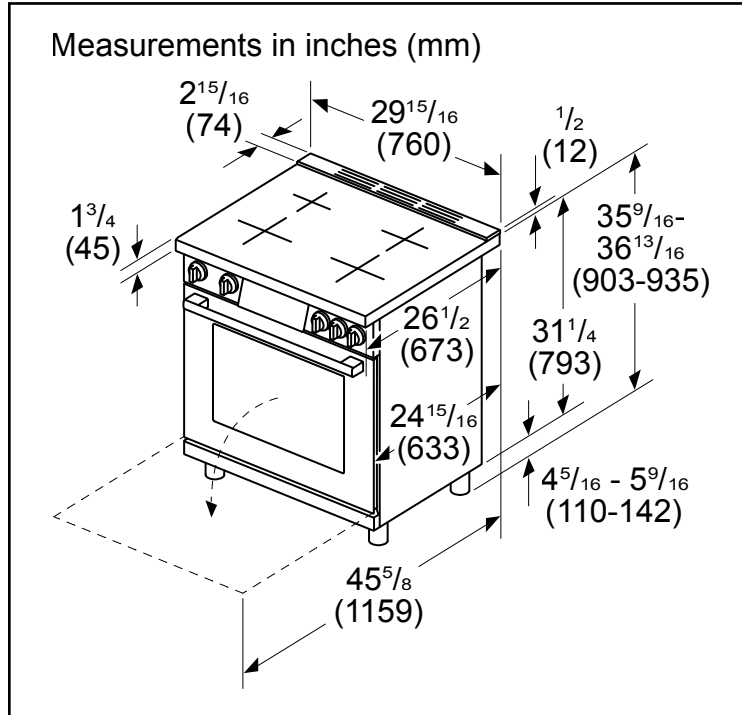
800 Series – Stainless Steel HIS8055U



BOSCH

Invented for life

Installation Details



Accessories: To purchase Bosch accessories, cleaners & parts please visit www.bosch-home.com/us/store or call 1-800-944-2904 (Mon to Fri 5 am to 6 pm PST, Sat 6 am to 3 pm PST).

Notes: All height, width and depth dimensions are shown in inches. BSH reserves the absolute and unrestricted right to change product materials and specifications, at any time, without notice. Consult the product's installation instructions for final dimensional data and other details prior to making cutout.

Warranties: Please see Use & Care manual or Bosch website for statement of limited warranty.

For more information on our entire line of products, go to www.bosch-home.com/us or call 1-800-944-2904

© BSH Home Appliances Corporation. All rights reserved. Bosch is a registered trademark of Robert Bosch GmbH.