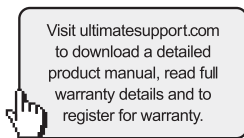


## SPECIAL INSTRUCTIONS

- Occasionally clean the stand with a damp cloth or non-abrasive cleaner. Do not lubricate or use silicone spray on the center tube.
- When loading the tripod, **ONLY** add the speaker when the tripod is in a fully upright position (all legs on the floor).
- Do not drag the tripod speaker stand while it is loaded; this could cause breakage of the fittings and result in damage to the stand.
- When supporting equipment, check that the telescoping collar is securely tightened and the safety pin is inserted into slot on upper telescoping tube.
- Always release the collar with caution and stand clear of load.



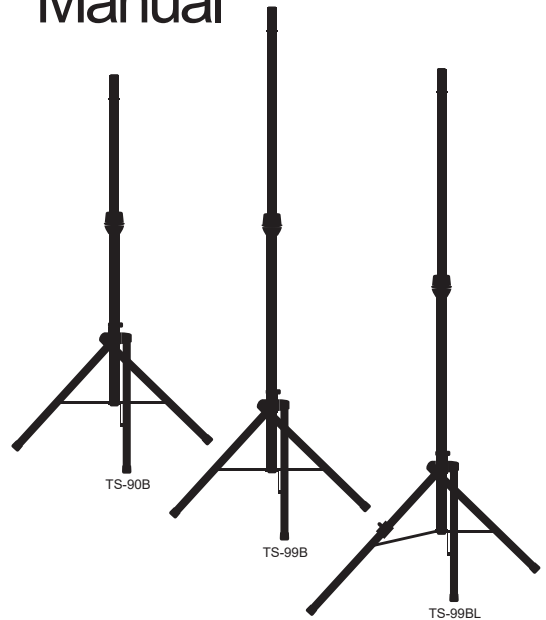
800.525.5628 · [www.ultimatesupport.com](http://www.ultimatesupport.com)

Copyright 2021, Ultimate Support Systems . All Rights Reserved

# ULTIMATE SUPPORT®

## TELELOCK® SERIES SPEAKER STAND

### Manual

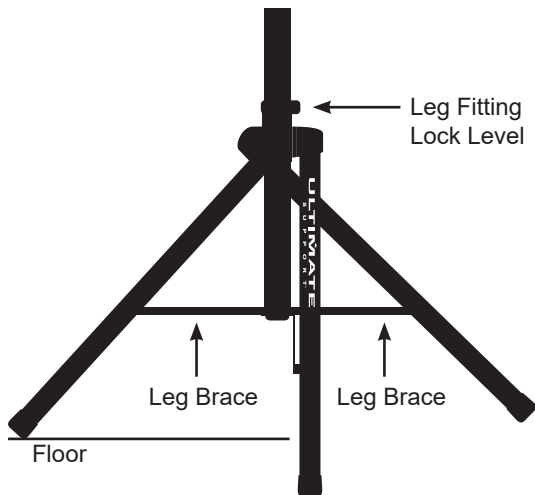


**LIMITED LIFETIME WARRANTY**  
GO TO [ULTIMATESUPPORT.COM](http://ULTIMATESUPPORT.COM) FOR MORE DETAILS



## UNIQUE TRIPOD DESIGN

---



### Opening Legs

Release leg fitting lock lever and pivot legs so Ultimate Support label faces you. Leg braces should be parallel to floor for maximum stability.

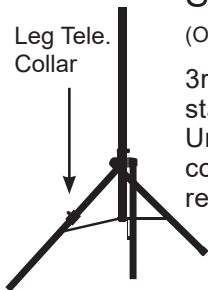
## OPTIONAL LEVELING LEG FEATURE

---

### Leveling Speaker Stand

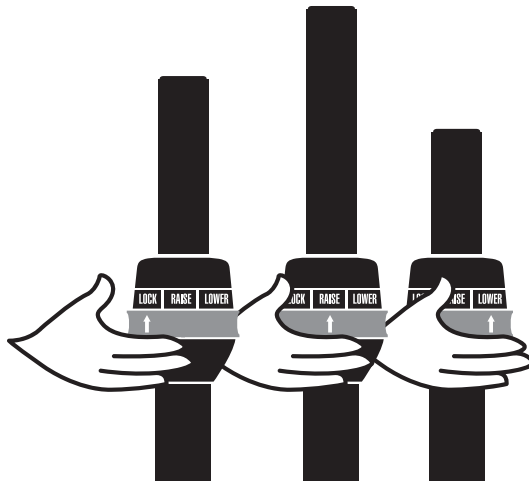
(Only Included with TS-99BL!)

3rd leg adjusts to level stand on uneven surfaces. Untighten leg telescoping collar, lengthen leg and retighten knob.



## TELELOCK® FEATURE

---



### Using TeleLock®

Turn the gray dial to the lock, rise, or lower position to adjust stand height. The locked position holds speaker in place. The rise position allows the speaker to rise, but NOT lower.

To lower speaker, slowly turn gray dial to the lower position. The faster you turn it to the lower position the faster the speaker will fall. For added support, use hand to control speed of speaker lowering.

### IMPORTANT INFORMATION

For maintaining any of Ultimate Support's speaker stands, please read the back of this manual under special instructions. These instructions will help you maintain your stand and keep your warranty.