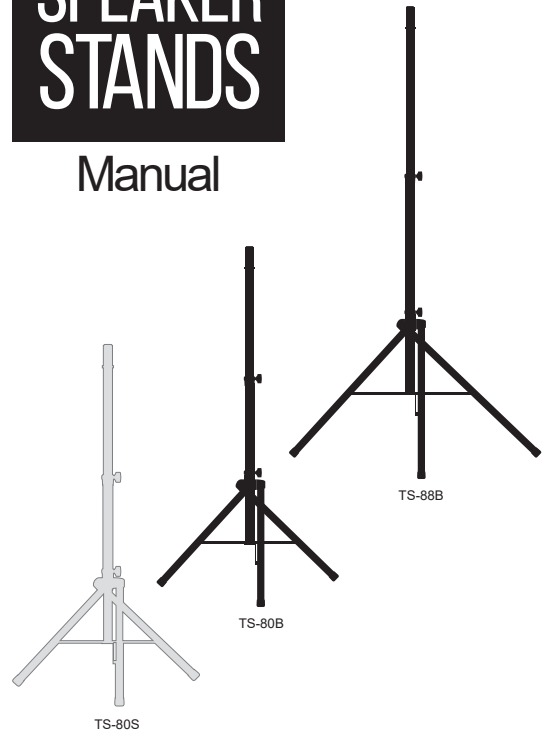


- Occasionally clean the stand with a damp cloth or non-abrasive cleaner. Do not lubricate or use silicone spray on the center tube.
- When loading the tripod, **ONLY** add the speaker when the tripod is in a fully upright position (all legs on the floor).
- Do not drag the tripod speaker stand while it is loaded; this could cause breakage of the fittings and result in damage to the stand.
- When supporting equipment, check that the telescoping collar is securely tightened.
- Always release the collar with caution and stand clear of load.

ORIGINAL SERIES SPEAKER STANDS

Manual



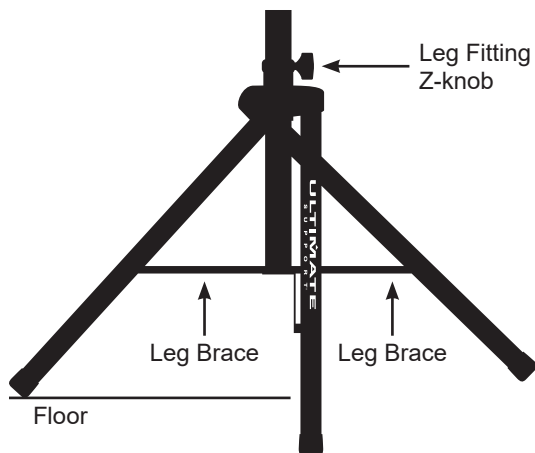
Visit ultimatesupport.com to download a detailed product manual, read full warranty details and to register for warranty.

800.525.5628
www.ultimatesupport.com
Copyright 2020, Ultimate Support Systems
All Rights Reserved

LIMITED LIFETIME WARRANTY
GO TO ULTIMATESUPPORT.COM FOR MORE DETAILS



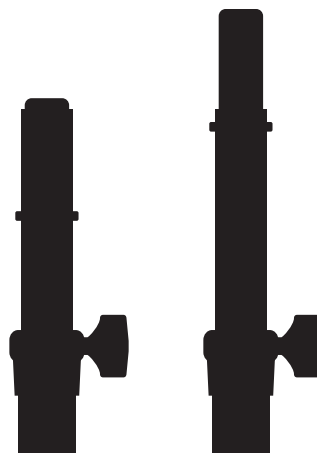
UNIQUE TRIPOD DESIGN



Opening Legs

Loosen leg fitting Z-knob and pivot legs so Ultimate Support label faces you. Leg braces should be parallel to floor for maximum stability.

SPEAKER ADAPTER



Built-in Adapter

The built-in adapter fits both 1-1/2" or 1-3/8" internal diameter speaker sockets. Use the lower position for 1-1/2". For 1-3/8" sockets, depress push buttons and raise adapter until it locks in raised position.

IMPORTANT INFORMATION

For maintaining any of Ultimate Support's speaker stands, please read the back of this manual under special instructions. These instructions will help you maintain your stand and keep your warranty.