

# SPECIAL INSTRUCTIONS

- Air-powered height adjustment mechanism under pressure. Do not disassemble or puncture assembly.
- **WARNING:** Do NOT ship by air!
- Occasionally clean the stand with a damp cloth or non-abrasive cleaner. Do not lubricate or use silicone spray on the center tube.
- When loading the tripod, ONLY add the speaker when the tripod is in a fully upright position (all legs on the floor).
- Do not drag the tripod speaker stand while it is loaded; this could cause breakage of the fittings and result in damage to the stand.
- When supporting equipment, check that the telescoping collar is securely tightened.
- Always release the collar with caution and stand clear of load.
- To tighten locking knob for air-powered telescoping tube, only use normal tightening with thumb and forefinger.

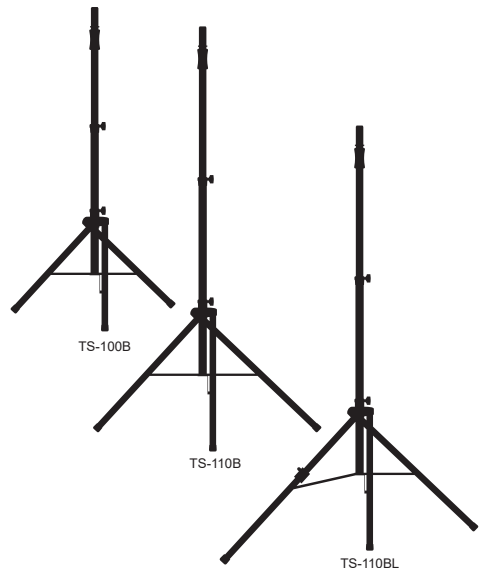
Visit [ultimatesupport.com](http://ultimatesupport.com) to download a detailed product manual, read full warranty details and to register for warranty.

# ULTIMATE

SUPPORT®

## AIR-POWERED SERIES SPEAKER STAND

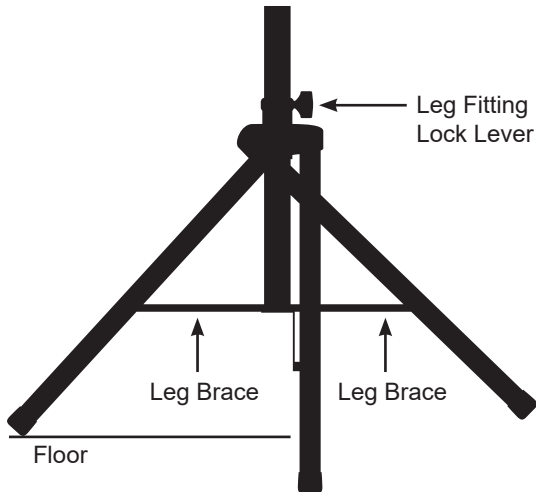
### Manual



**LIMITED LIFETIME WARRANTY**  
GO TO [ULTIMATESUPPORT.COM](http://ULTIMATESUPPORT.COM) FOR MORE DETAILS



## UNIQUE TRIPOD DESIGN



### Opening Legs

Release leg fitting lock lever and pivot legs so Ultimate Support label faces you. Leg braces should be parallel to floor for maximum stability.

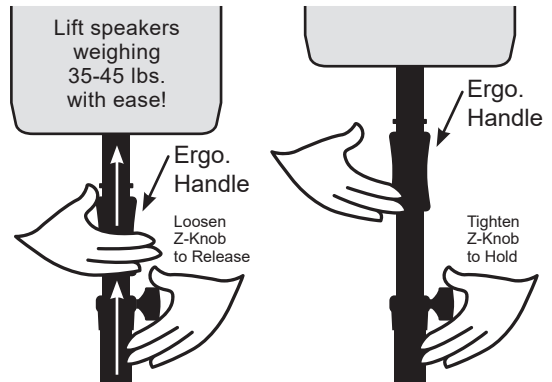
## OPTIONAL LEVELING LEG FEATURE



Leveling Speaker Stand  
(Only Included with TS-110BL!)

3rd leg adjusts to level speaker stand on uneven surfaces. Untighten leg telescoping collar, lengthen leg and retighten knob.

## AIR-POWERED FEATURE



### Using Air-Powered Lift Assist

Put speaker on stand. Firmly grip large ergonomic handle, loosen hand knob and guide telescoping tube to desired height. Tighten hand knob. **CAUTION:** For light speakers, keep a tight hold on grip while loosening hand knob.

To lower speaker, firmly grip large ergonomic handle knob and guide telescoping tube down. Lighter speakers will take more effort to lower. Tighten hand knob.

### CAUTION!

This stand carries a gas powered shock that pushes up when z-knob is loosened. Keep clear of telescoping tubing and make sure z-knob is fully tightened. For best results when lowering stand, keep speaker on stand.



### IMPORTANT INFORMATION

For maintaining any of Ultimate Support's speaker stands, please read the back of this manual under special instructions. These instructions will help you maintain your stand and keep your warranty.