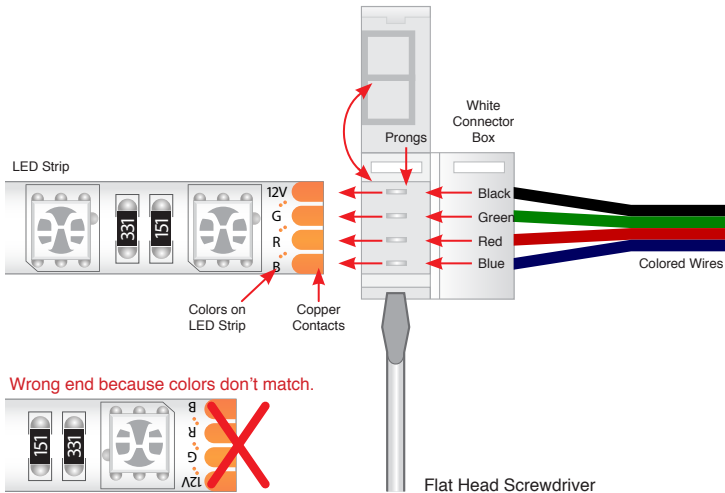


# ULTIMATE SUPPORT®

## Nucleus-Z Navigator LED Lighting Kit Manual

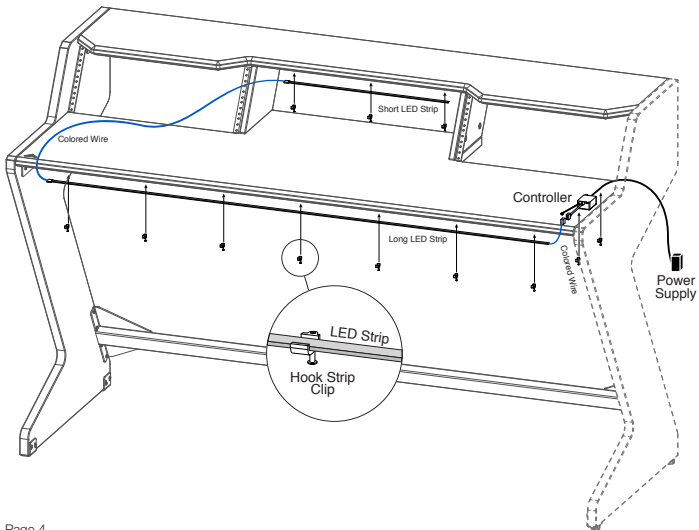




## CONNECTING LIGHTING STRIPS

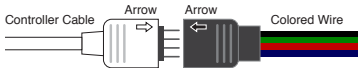
The long and short LED strips will need to be attached to the black, green, red, and blue wires before installing lights.

1. Slide flat head screwdriver into the slot of the white connector box and twist to pop open.
2. Line up the colors on the colored wires to match the long LED strip colors. Push the LED strip on the prongs that line up with the colored wires. Make sure the copper contacts of the LED strip touch the prongs in the white connector box.
3. Close the white connector box, repeat these instructions with the short LED strip.

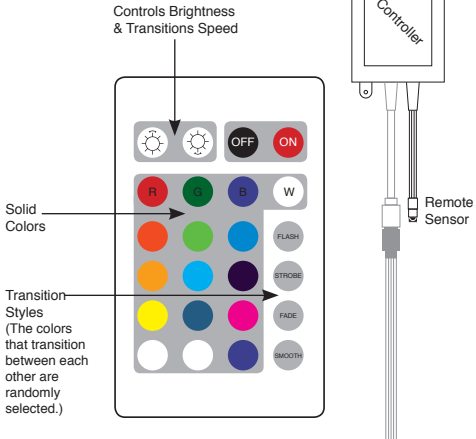


## INSTALLING LIGHTS


1. Expose the Long LED strip adhesive surface by peeling away cover. Place the long LED strip under the main desk surface grooves. Start on the left side with the end that has the colored wires to smaller LED strip and attach all the way across to the right.
2. Follow the same steps above to attach the smaller LED strip to the center of the second tier. This will go in between the small racks.
3. Use provided hook strip clips on both the top and bottom LED lights. The LED adhesive strips are for placement only, hook strip clips are needed to permanently attach.
4. Plug in colored wire into controller cable, make sure arrows on both line up. Use two hook strip clips on either side of controller to attach to the bottom surface of desk.




5. Plug in power supply cable to controller.



## USING THE REMOTE

Operating your light kit with the included controller is easy. First, activate the lights by pushing the ON button. You may now select the color of your choice. Brightness for any color may be adjusted by pressing and holding one of the two top left buttons. 

The Nuc-Z-LED-S lighting strip offers more than one automation mode. Select from the available transitions on the controller. Transition speed can be adjusted by holding either of the two top left buttons while transition modes are active. 

**ULTIMATE**  
S U P P O R T<sup>®</sup>  
Nucleus-Z Navigator LED Lighting



Ultimate Support Systems . [www.ultimatesupport.com](http://www.ultimatesupport.com) . 800.525.5628 . Made in China