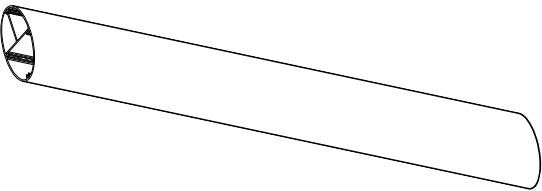
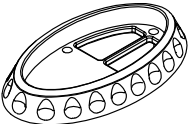
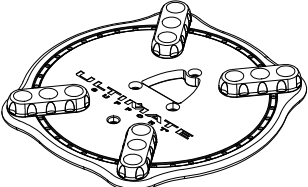
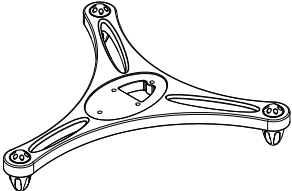
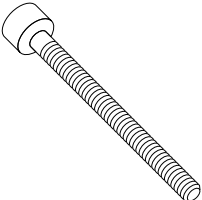
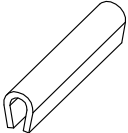


ULTIMATE

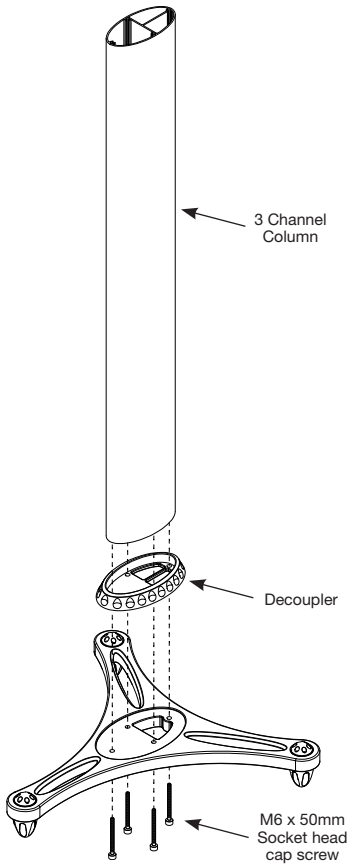
S U P P O R T[®]

Included Parts for the MS-90/36 & MS-90/45

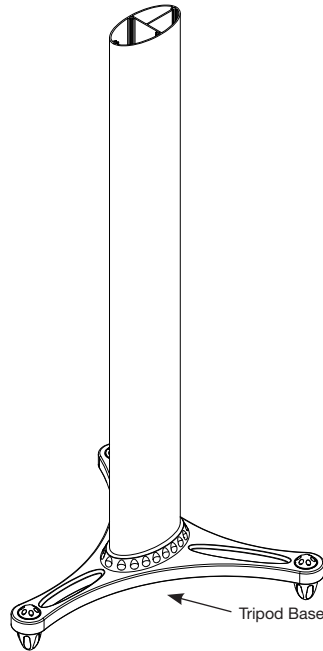
	<p>Column</p>	<p>x2</p>
	<p>Decoupler</p>	<p>x4</p>
	<p>Top Plate</p>	<p>x2</p>
	<p>Tripod Base</p>	<p>x2</p>
	<p>M6 x 50mm Socket head Cap Screw</p>	<p>x16</p>
	<p>Web Cover</p>	<p>x2</p>

ULTIMATE SUPPORT®

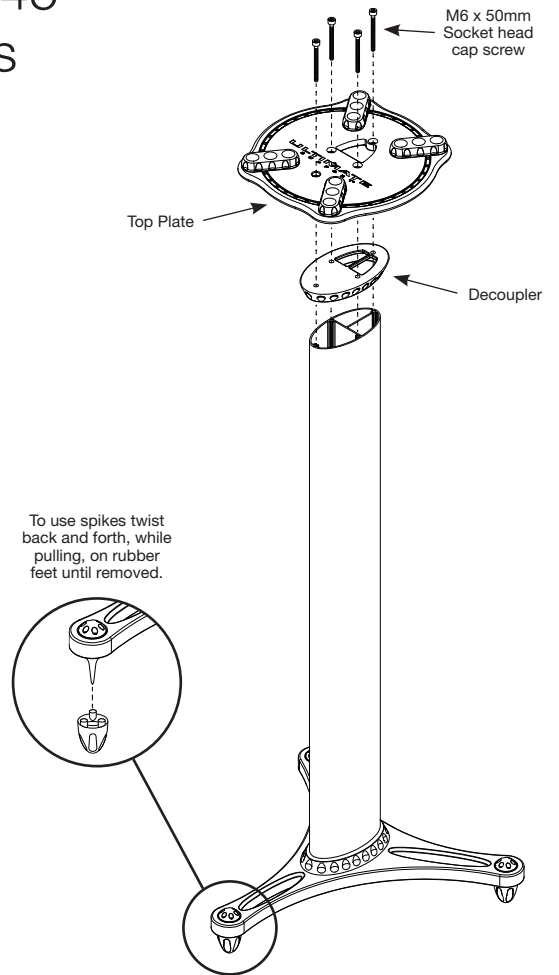
MS-90/36 and MS-90/45 Assembly Instructions



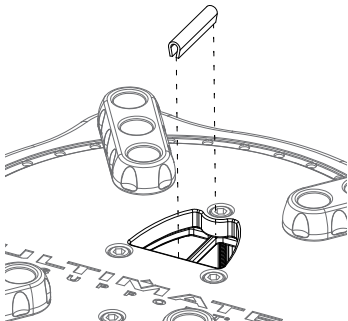
Place one of the decouplers on one of the ends of the column. Make sure the two large holes on the decoupler line up with the two channels of the column. The third channel should be covered. Line up screw holes on the decoupler with the tripod base and attach using four M6 x 50mm socket head cap screws.



Users planning to add extra weight to their stand with sand or shot should do so prior to adding the second decoupler. We recommend using small bags to add the sand to avoid unwanted spillage. Add to the large channel of the stand. The two smaller channels are for cables and should remain open.



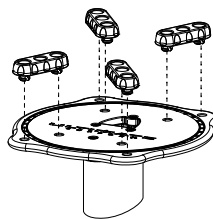
Place second decoupler on top of column, line up the two large holes again with the column channels. Place monitor stand top plate on decoupler. Center hole on top plate should line up with the two channels. Attach using four M6 x 50mm socket head cap screws.



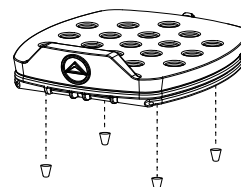
Place web cover over the wall separating the two channels.

OPTIONAL CONFIGURATION (SOLD SEPARATELY)

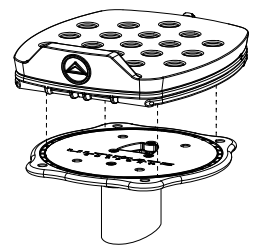
Combine the MS-80B to the MS-90, then be able to adjust angle and axis of your speakers.



Remove the four rubber decouplers from the MS-90 top plate.



Remove the four rubber feet from the MS-80B.



Place the MS-80B on the top plate of the MS-90. Spikes will fit in pin holes.