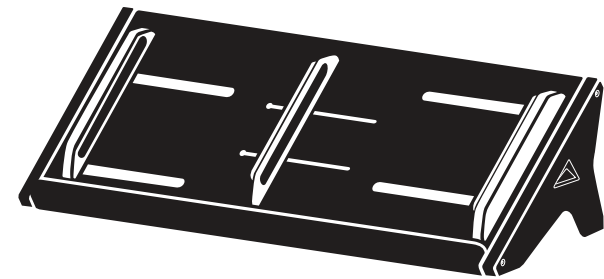


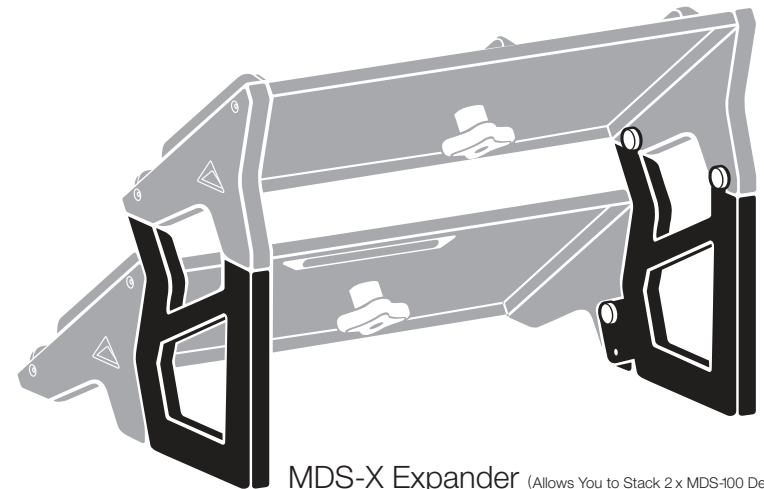
MDS SERIES

MODULAR DEVICE STAND

Manual



MDS-100



MDS-X Expander (Allows You to Stack 2 x MDS-100 Device Stands)

Visit ultimatesupport.com

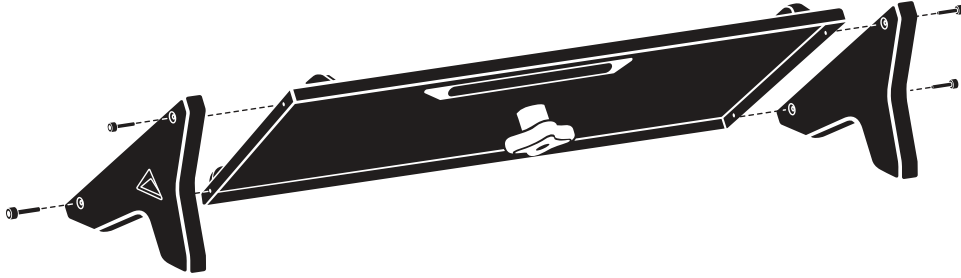
to download a detailed
product manual, read full
warranty details and to
register for warranty.



MDS-100 INSTRUCTIONS

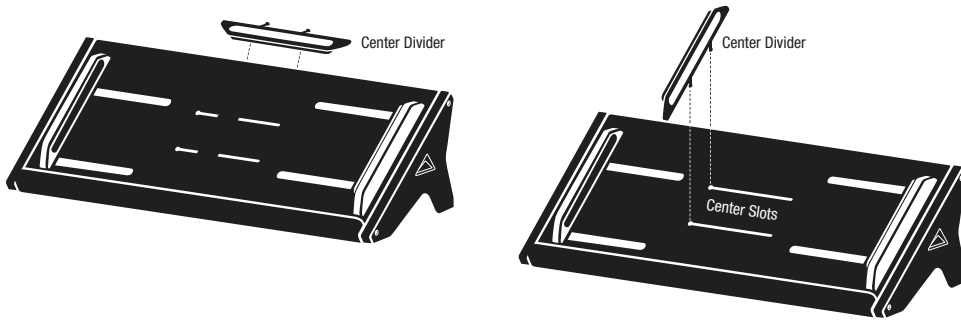
Assembling the MDS-100

Attach legs to each side of the center tray using the provided m3 screws (two for each side). Make sure Ultimate Support's triangle logo is facing out on both sides.



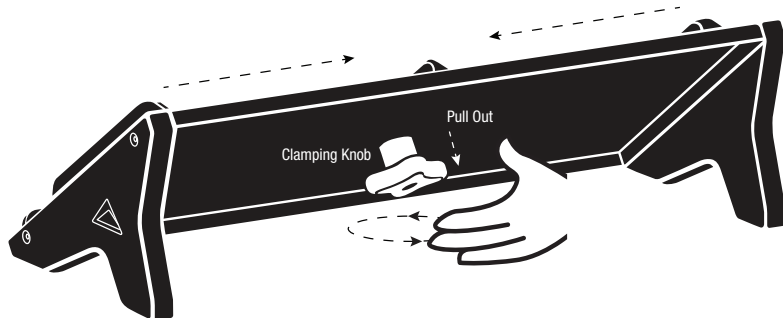
Attaching Center Divider

Snap off center divider from back of MDS-100. Attach center divider to the front of the MDS-100 by placing round knobs in center holes and sliding it through center slots.

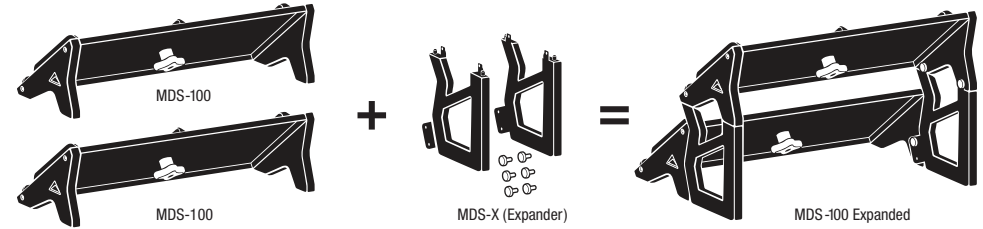


Clamping Gear to MDS-100

Pull clamping knob out and turn to left or right to open or close clamps. For two devices, use center divider, for one device, remove center divider. Center divider can be stored on the top back of the MDS-100, it clips into place.

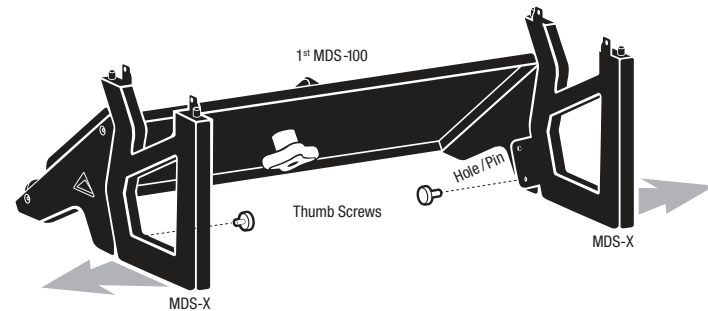


ASSEMBLING THE MDS-X



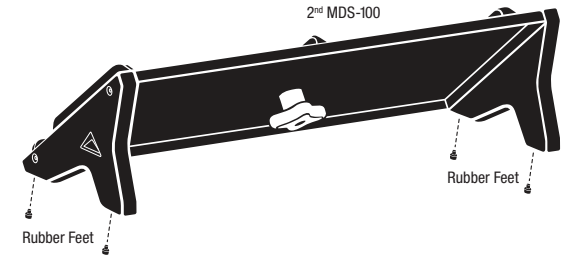
Add MDS-X to First MDS-100

Align the pins on the MDS-100 with the holes on the MDS-X. Use provided thumb screw to each side of the MDS-X to attach the first MDS-100.



Remove Rubber Feet

In preparation for adding the second MDS-100, remove rubber feet. This will allow second MDS-100 to slide on top of the MDS-X.



Add Second MDS-100 to Top of MDS-X

Slide 2nd MDS-100 holes over MDS-X pins. Once MDS-100 is secure on top of the MDS-X, use two thumb screws on each side to lock MDS-100 in place.

