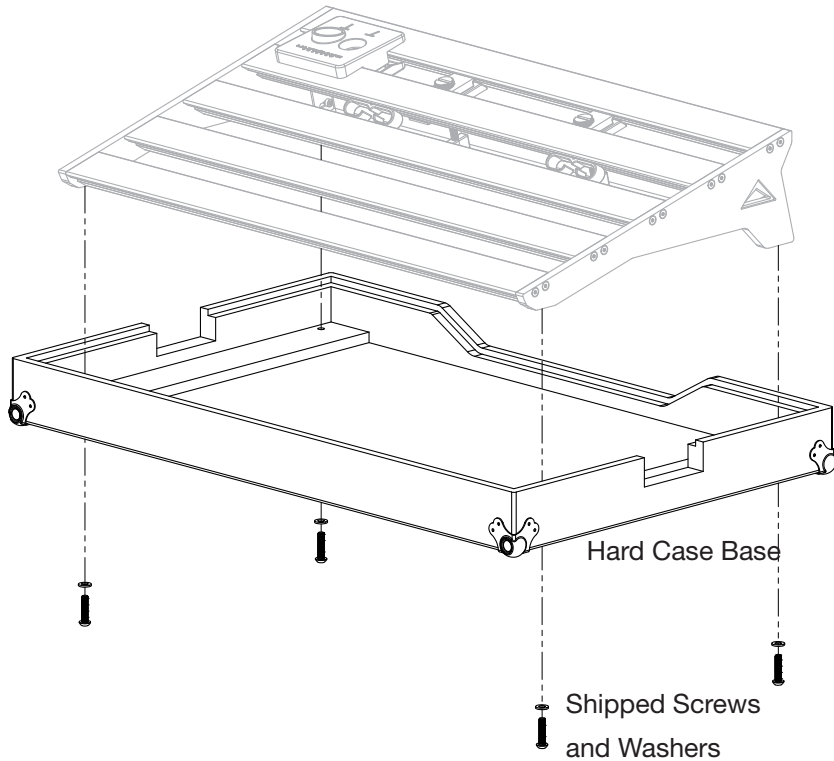


ULTIMATE SUPPORT®

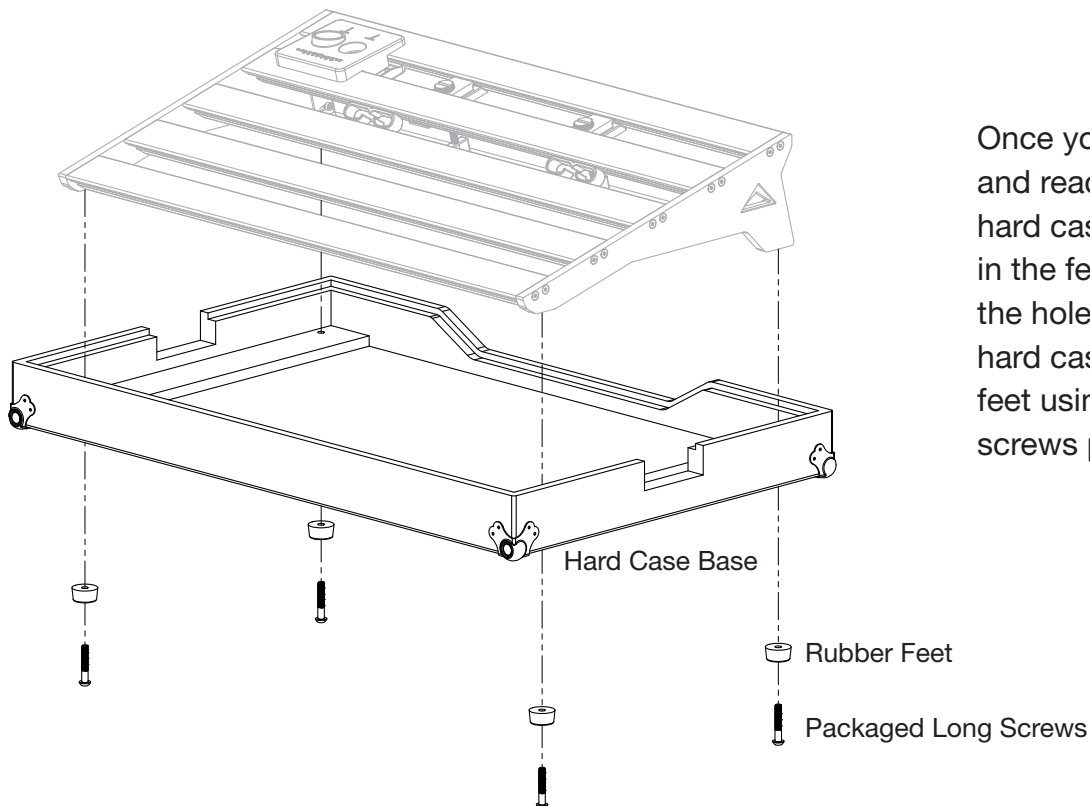
Preparing the GSP-500-DXL & GSP-700-BK



Open the hard case and place lid off to the side. Remove the four washers and screws from the base; freeing the pedalboard from the hard case base. Set aside the four washers and screws you have removed as you will use the packaged screws and feet instead.

NOTE:

We suggest arranging and wiring your pedals in advance of mounting your pedalboard to the hard case base.

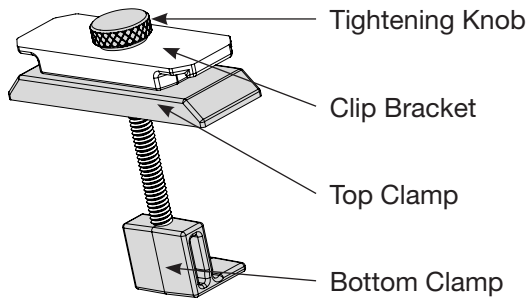


Once your pedalboard is wired and ready, place it back into the hard case base. Line up the holes in the feet of the pedalboard with the holes on the bottom of the hard case base, and attach rubber feet using the packaged long screws provided.

ULTIMATE SUPPORT®

Attaching Power Supply to the GSP-500-DXL & GSP-700-BK

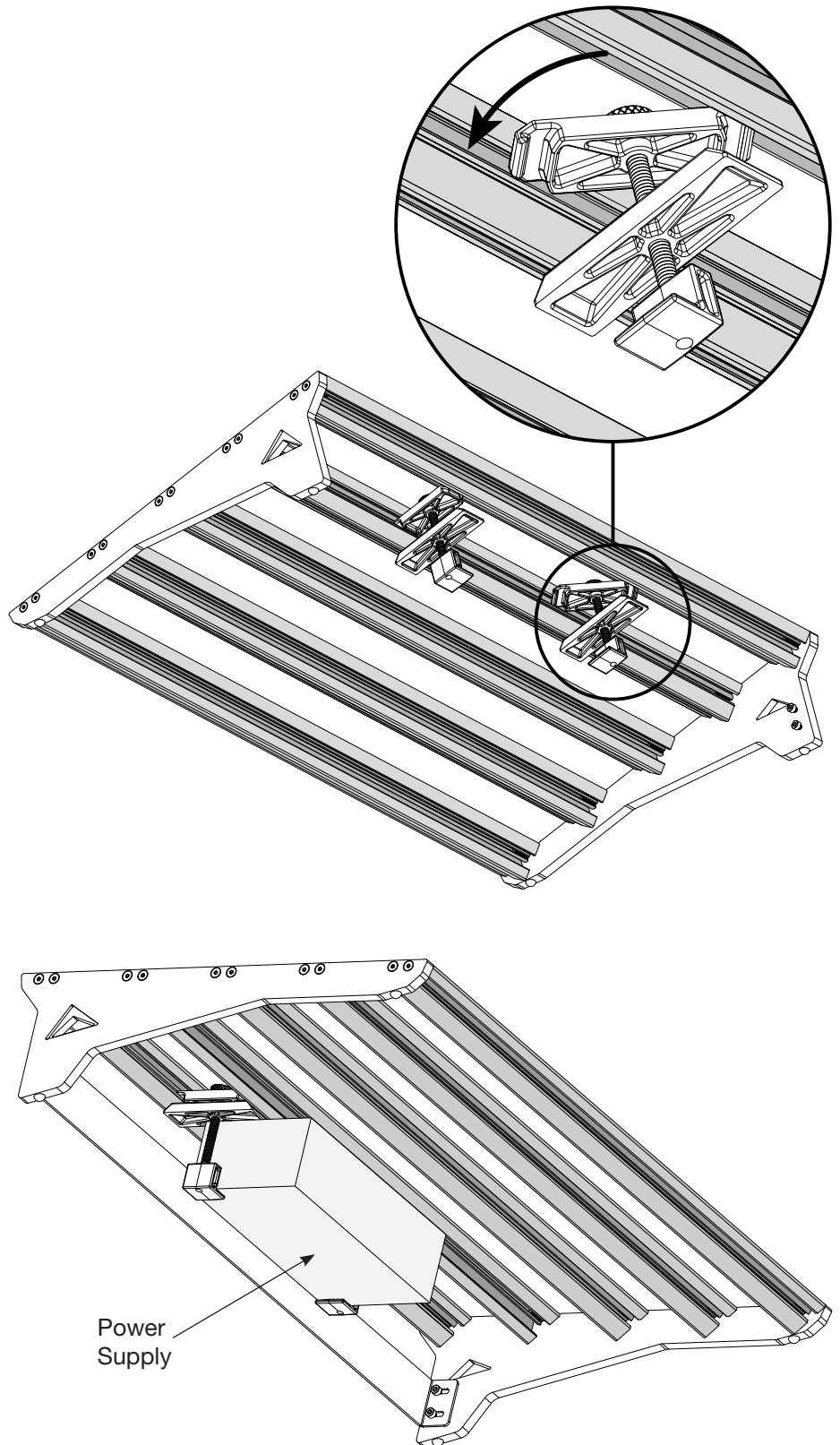
Power Supply Clamp



To attach power supply clamp, twist and slide the clip bracket into the grooves between two parallel bars. Repeat for other power supply clamp.

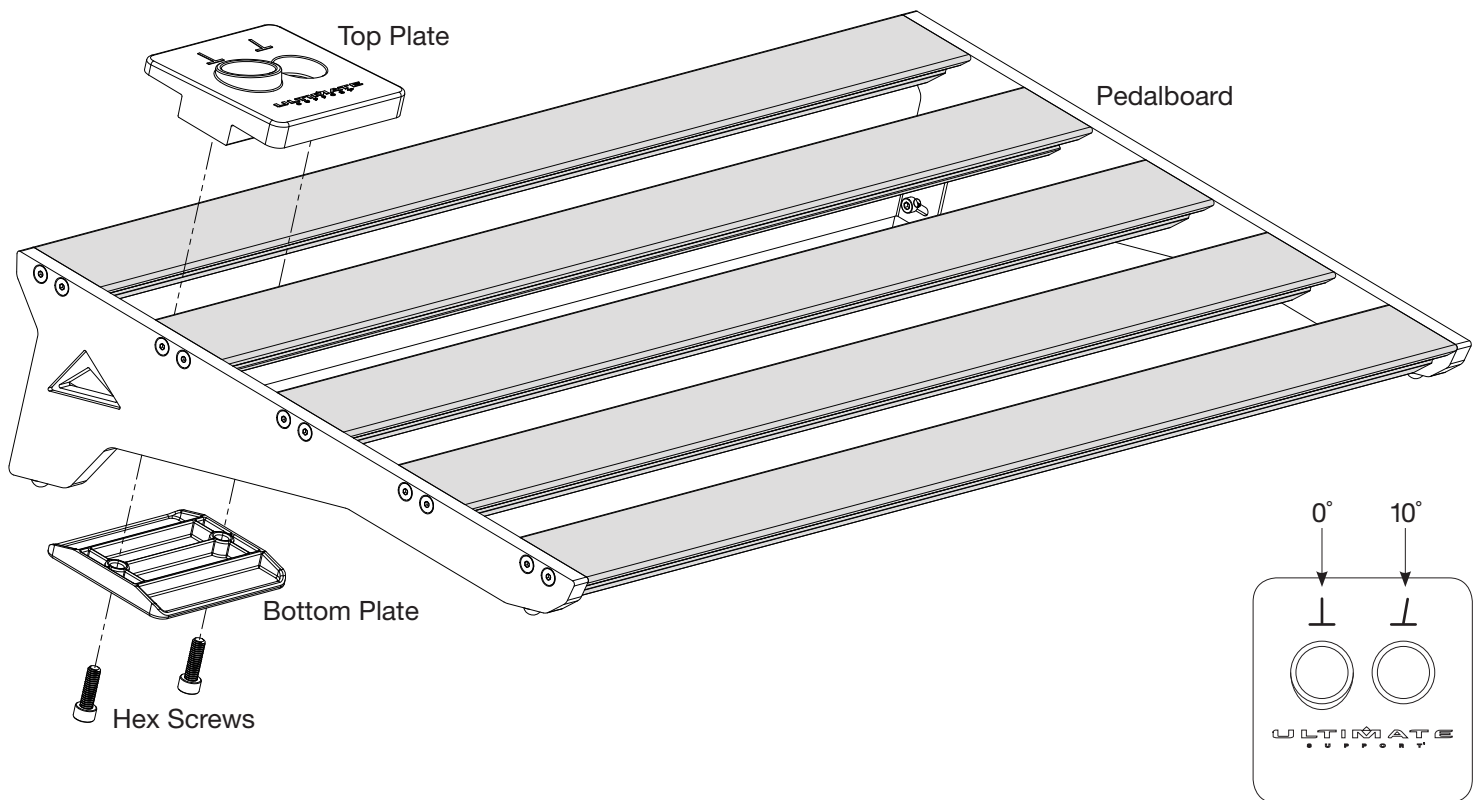
Adjust the distance between both power supply clamps to match the size of your power supply. Slide the power supply between the top and bottom of both clamps. Make sure the top clamp is parallel with the clip bracket. Rest the power supply on the lip of the bottom clamps. Once both clamps and power supply are in place, use tightening knobs to clamp power supply to pedalboard.

Depending on the size of your power supply, the Tightening Knob may not extend completely through the Bottom Clamp. This is intentional, and the Power Supply Clamp will still hold securely as long as a minimum of 3/16" (.1875") of the Tightening Knob is threaded into the Bottom Clamp.



ULTIMATE S U P P O R T[®]

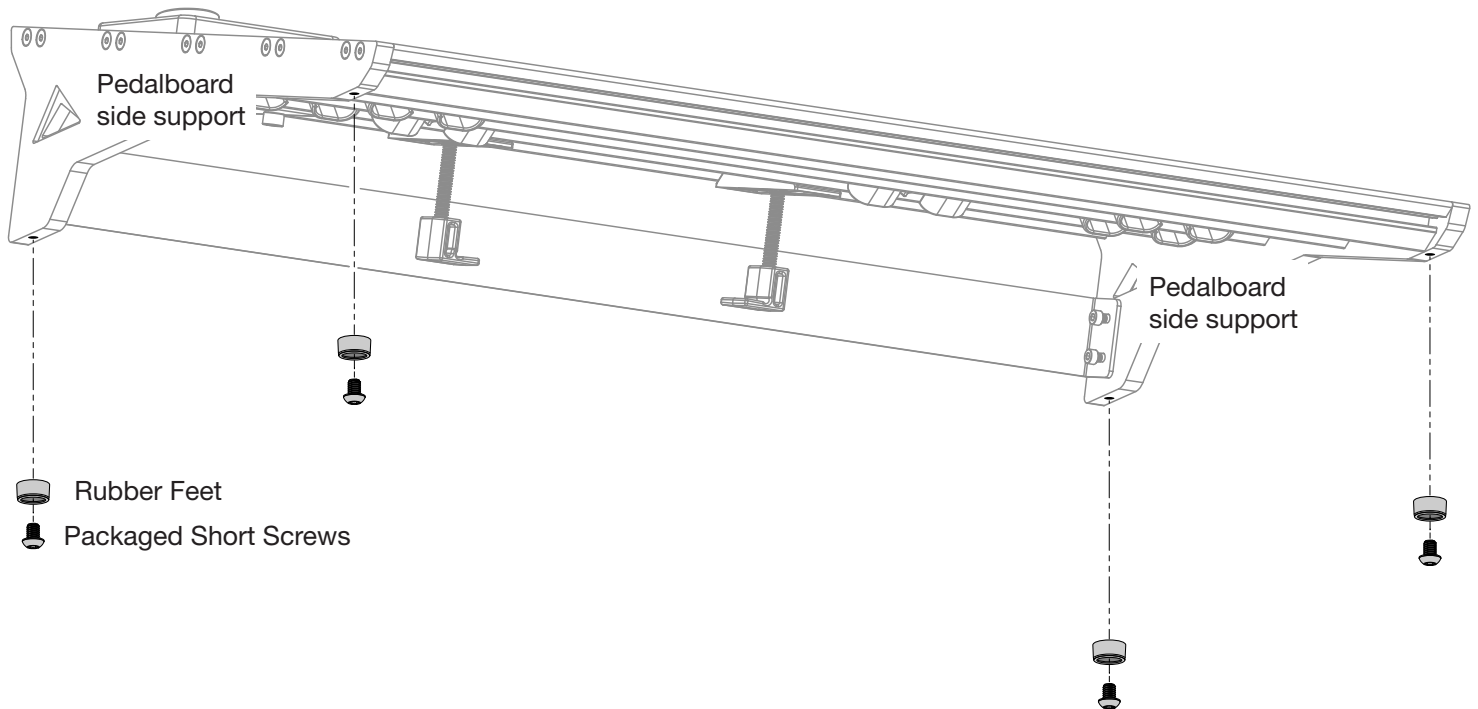
Attaching & Adjusting Mic Adapter to the GSP-500-DXL & GSP-700-BK



To attach mic adapter to pedalboard, place top plate in between any two rows. The logo will be at the bottom. Place second plate under pedalboard, lining up holes on both plates. Use the two hex screws to clamp plates together. To adjust the mic adapter, remove hex screws, place top plate at desired location and repeat the steps to attach the mic adapter.

ULTIMATE SUPPORT®

Attaching Pedalboard feet to the GSP-500-DXL & GSP-700-BK



OPTIONAL: In case you would like to use the pedalboard by itself we have included an extra set of small pedalboard feet. Detach the pedalboard from the case. Locate the holes underneath the pedalboard side supports, then attach the four rubber feet using the packaged short screws.

Visit ultimatesupport.com
to download a detailed
product manual, read full
warranty details and to
register for warranty.

