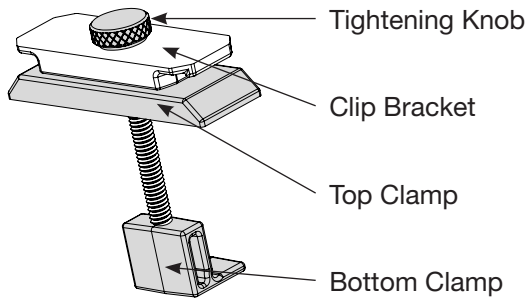


ULTIMATE SUPPORT®

Attaching Power Supply to the GSP-500

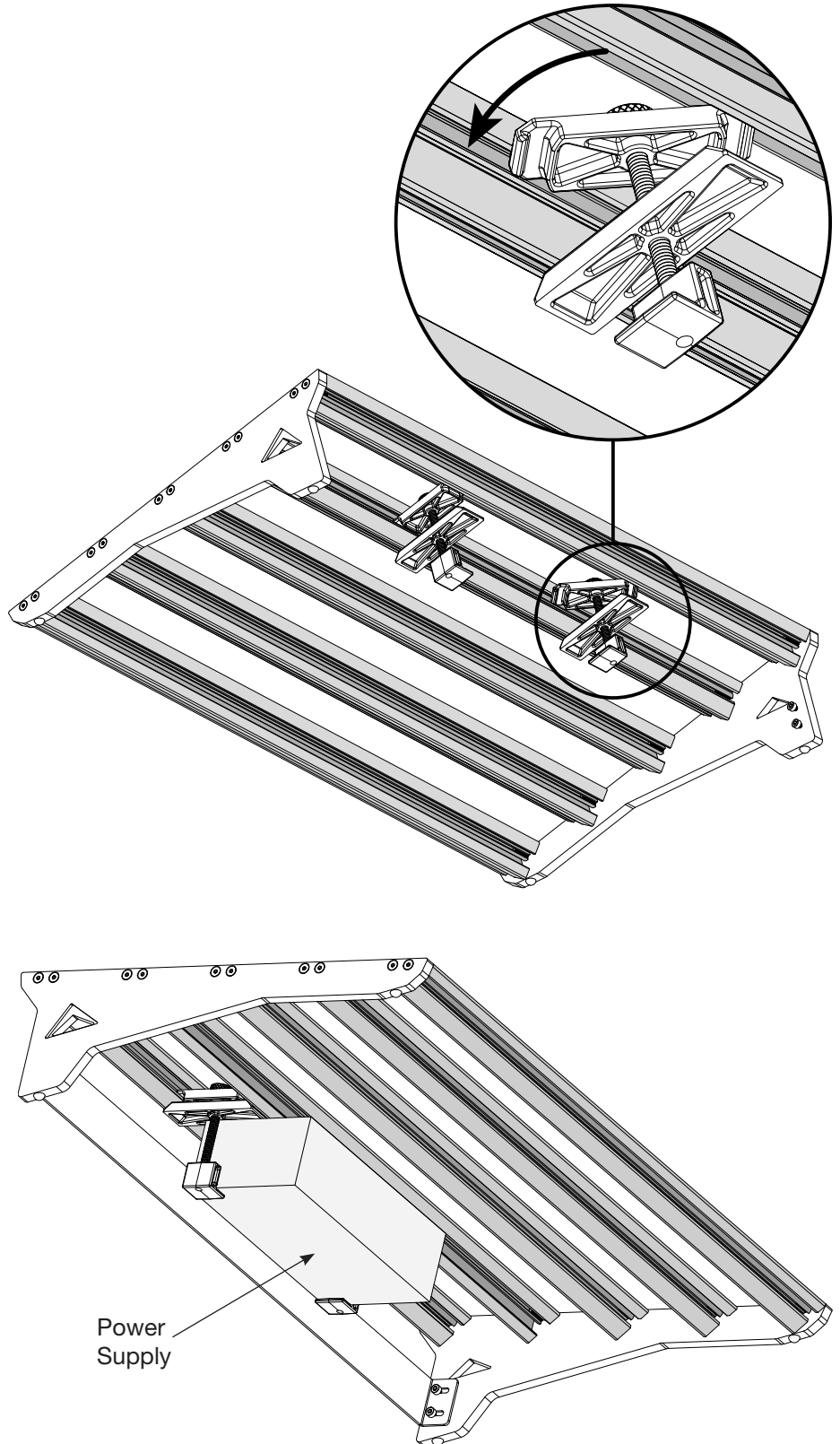
Power Supply Clamp



To attach power supply clamp, twist and slide the clip bracket into the grooves between two parallel bars. Repeat for other power supply clamp.

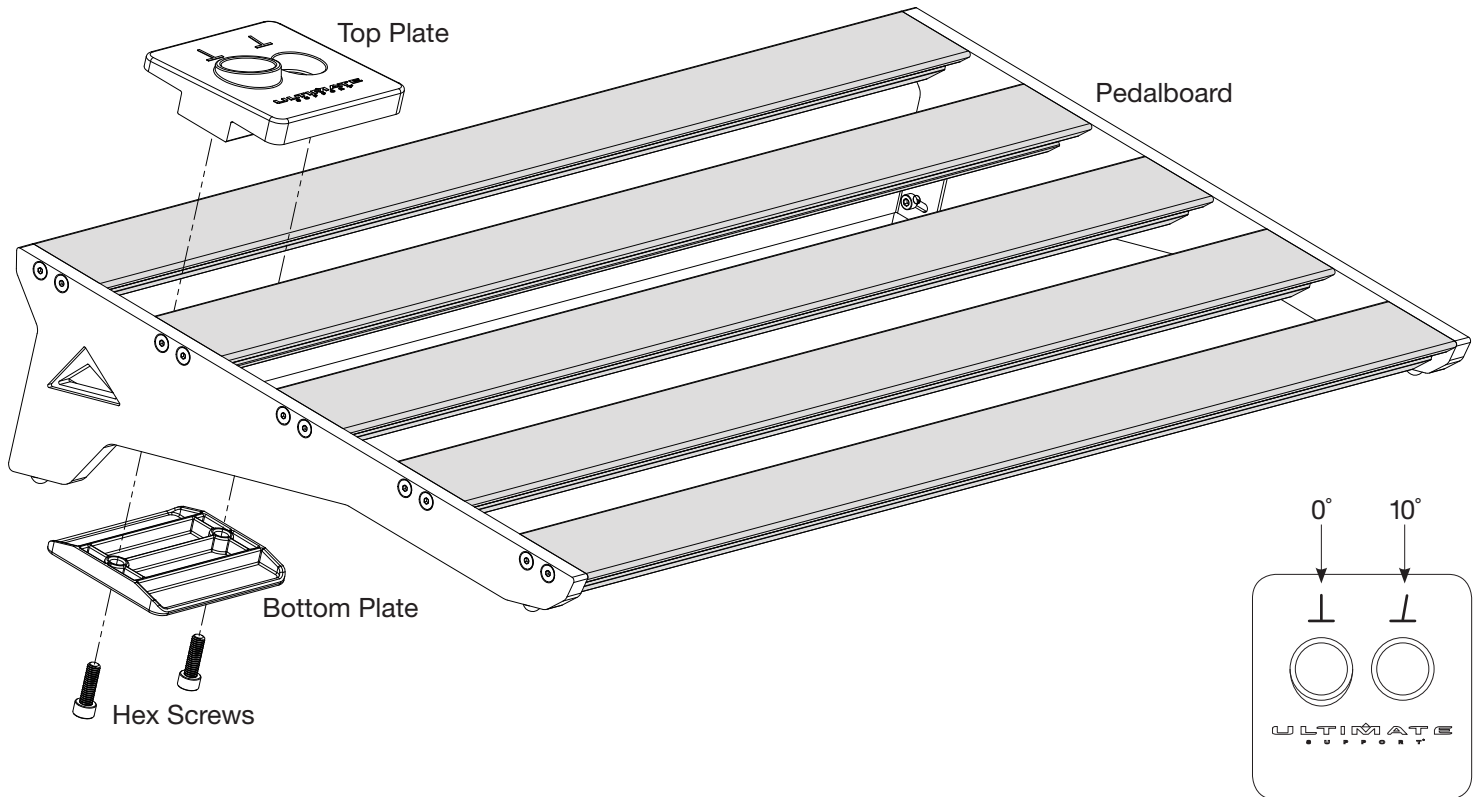
Adjust the distance between both power supply clamps to match the size of your power supply. Slide the power supply between the top and bottom of both clamps. Make sure the top clamp is parallel with the clip bracket. Rest the power supply on the lip of the bottom clamps. Once both clamps and power supply are in place, use tightening knobs to clamp power supply to pedalboard.

Depending on the size of your power supply, the Tightening Knob may not extend completely through the Bottom Clamp. This is intentional, and the Power Supply Clamp will still hold securely as long as a minimum of 3/16" (.1875") of the Tightening Knob is threaded into the Bottom Clamp.



ULTIMATE SUPPORT®

Attaching & Adjusting Mic Adapter to the GSP-500



To attach mic adapter to pedalboard, place top plate in between any two rows. The logo will be at the bottom. Place second plate under pedalboard, lining up holes on both plates. Use the two hex screws to clamp plates together. To adjust the mic adapter, remove hex screws, place top plate at desired location and repeat the steps to attach the mic adapter.

Visit ultimatesupport.com
to download a detailed
product manual, read full
warranty details and to
register for warranty.