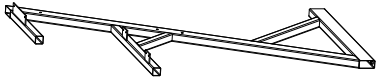
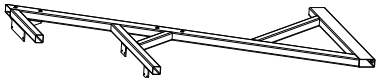
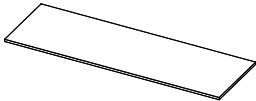
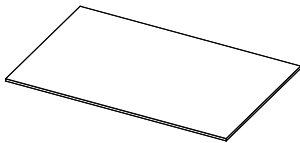

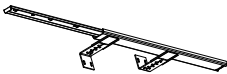


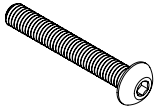

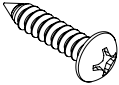
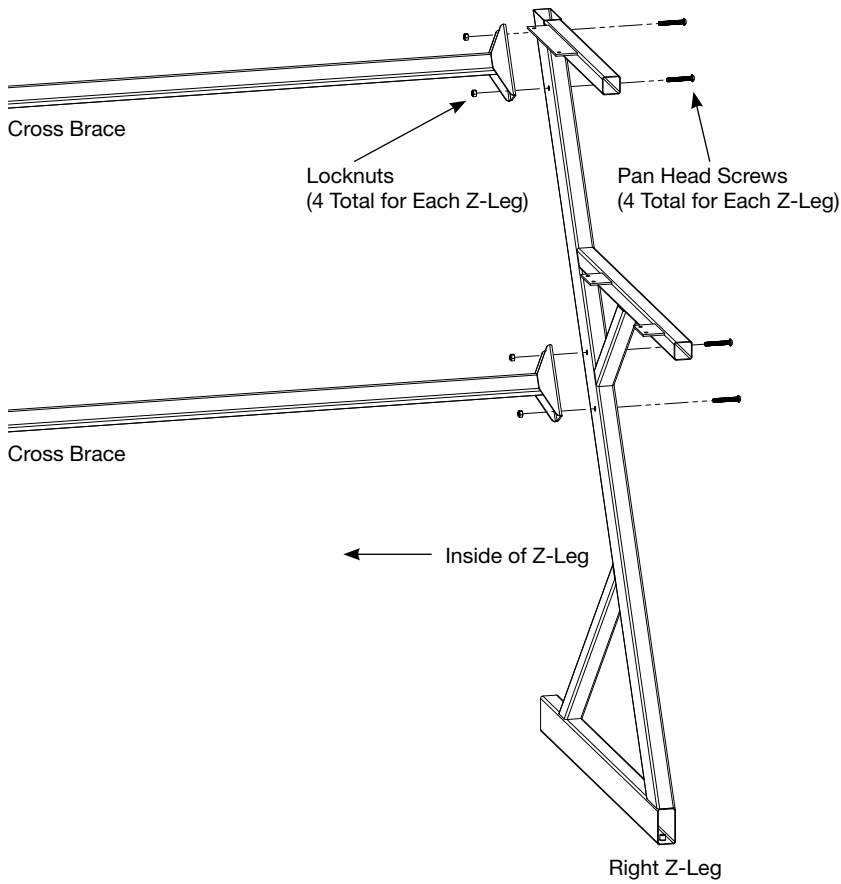


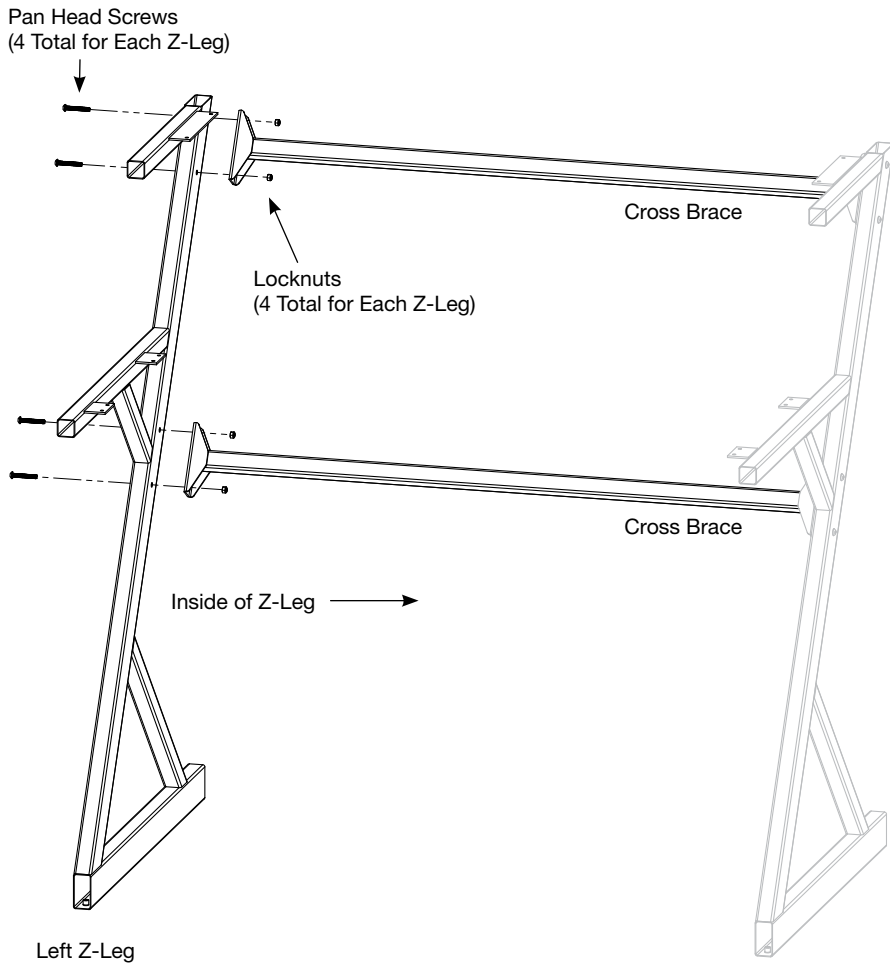
Instructions for JS-SW300

Included Parts

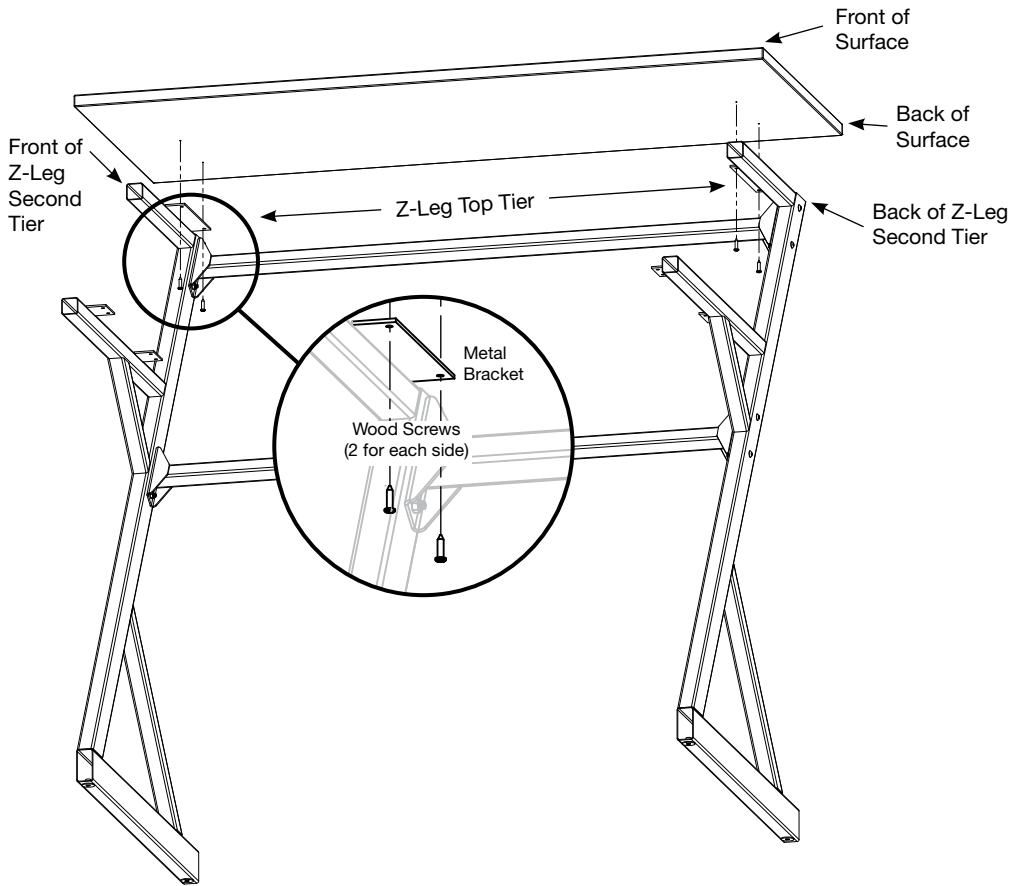
	Z-Leg - Left	x1
	Z-Leg - Right	x1
	Secondary Surface	x1
	Main Surface	x1
	Keyboard Surface	x1
	Drawer Slide - Left	x1
	Drawer Slide - Right	x1
	Cross Brace	x2
	Button Head Screw (M6 x 1.0mm x 35mm)	x8
	Locknut (M6 x 1.0mm)	x8
	Wood Screws (M4 x 16mm)	x26



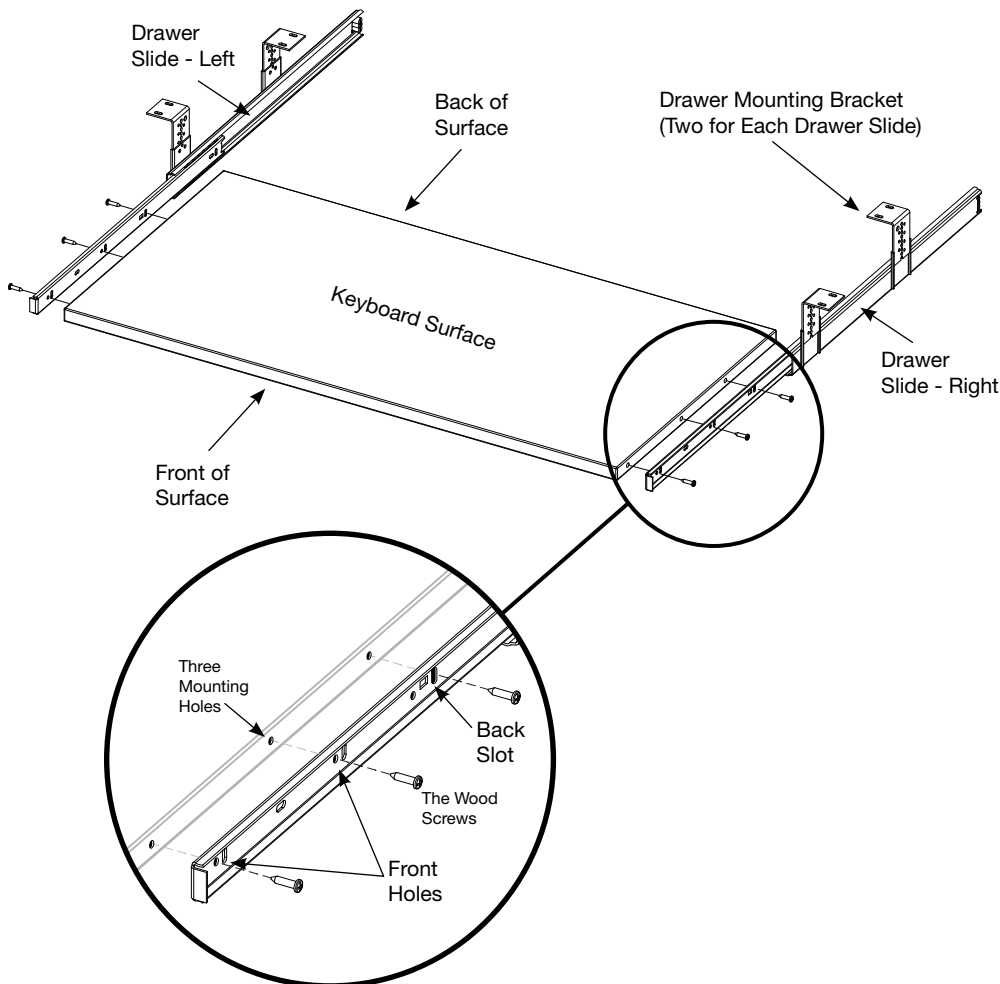
By each tier on the right z-leg attach the two cross brace using four button head screws and locknuts. Locknuts go on the inside of the z-legs.



To attach the left z-leg follow the same steps as the right z-leg shown above. Locknuts go on the inside of the left z-leg (see diagram).

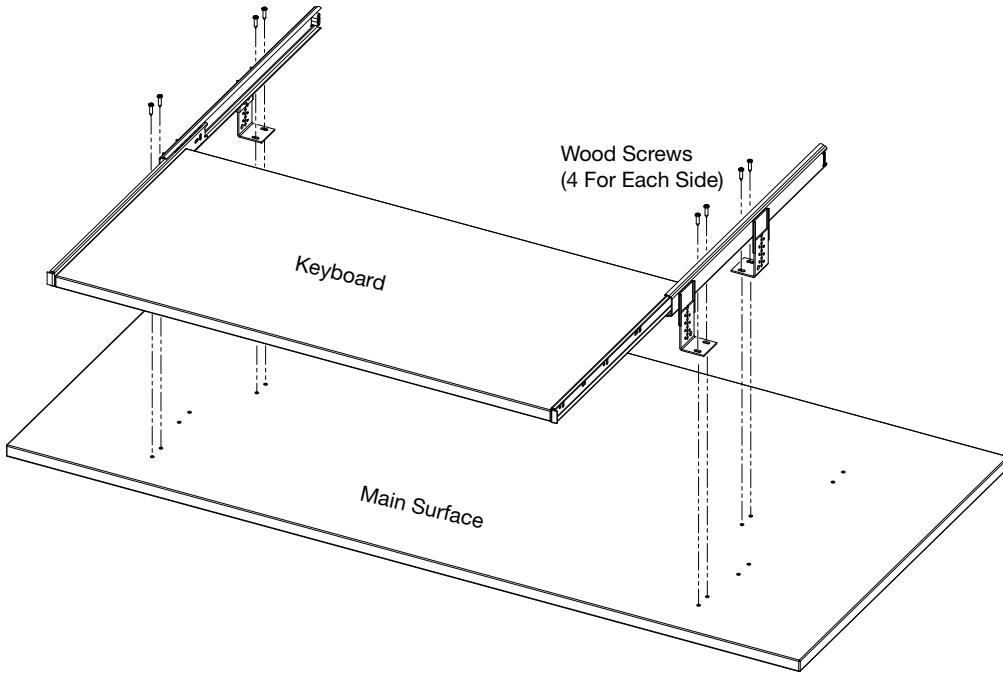


Place secondary surface on z-legs top tier. Holes on the surface should be closer to the back. Line up secondary surface holes with metal brackets holes. The back of the secondary surface should line up with back of the z-legs second tier. The front of the secondary surface should extend beyond the front of the z-leg second tier. Use four wood screws to attach.

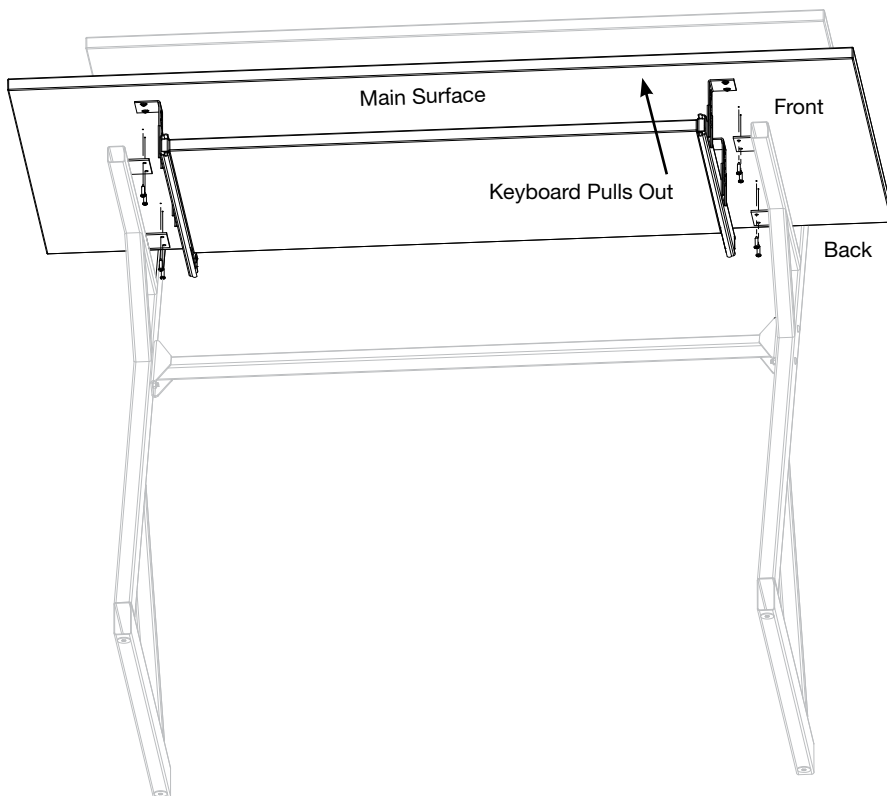


Place the keyboard surface on the ground with the three mounting holes on either side towards the front. Line up the side mounting holes with Drawer slide holes. Drawer Mounting Brackets will be facing up. The drawer slide - right, on the right side. Same with the left side. Put two wood screws in the front holes. Put the last wood screw into the back slots.

NOTE:
Overtightening wood screws may strip holes.



Place the main surface on the ground with the holes closest to the surface edge, facing the front. Then flip the assembled keyboard shelf over and line up holes. The keyboard shelf bracket holes will line up with the inside holes on the main surface. The keyboard tray edge will line up with the main desk surface. Use eight wood screws to attach keyboard shelf to main surface.



Place main surface on z-legs bottom tier. The keyboard shelf should pull out at the front of the desk. Line up main surface holes with metal brackets holes. Use eight wood screws to attach.

NOTE:
Overtightening wood screws may strip holes.