

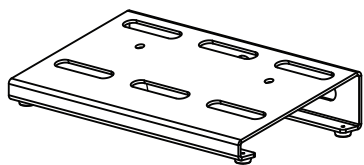
JAMSTANDS®

By Ultimate Support

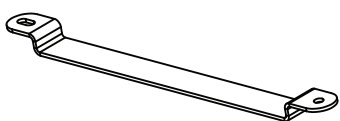
Small Pedalboard Instruction Sheet

JS-PB200 item #17986

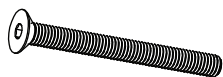
JamStands Small Pedalboard Parts



Pedalboard



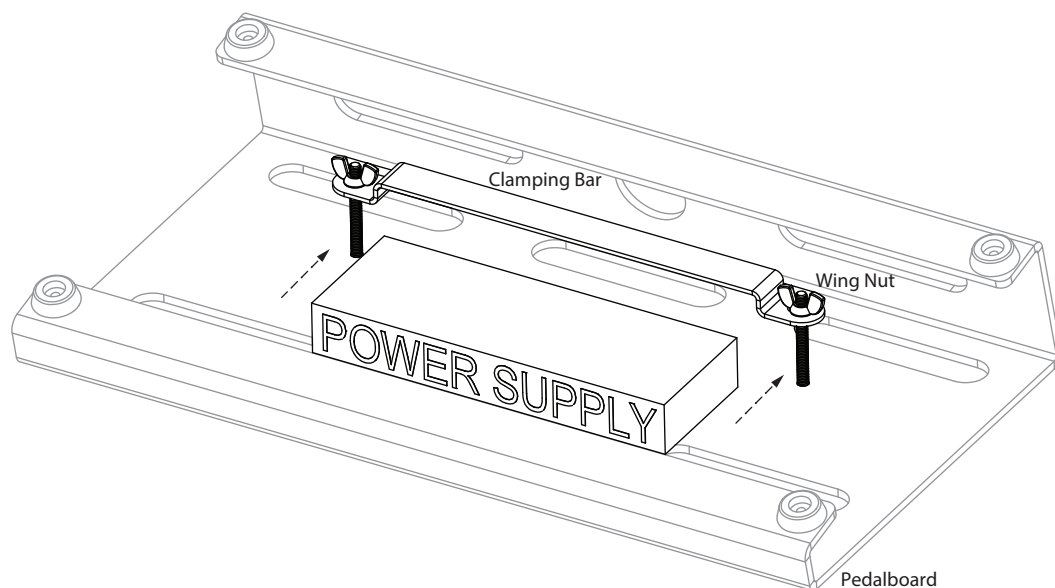
Clamping Bar



(2) Screws



(2) Wing Nuts



Note: For best results, we recommend mounting your power supply prior to placing pedals on your JS-PB200.

Step 1 Flip pedalboard upside down and locate power supply clamp.

Step 2 Loosen wing nuts and lift up the clamp

Step 3 Slide power supply under bar

Step 4 Tighten wing nuts to secure power supply.

