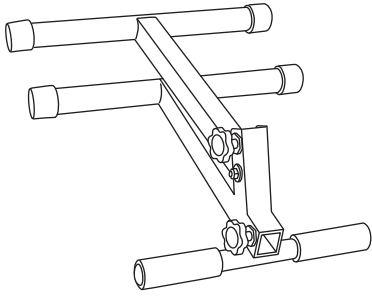
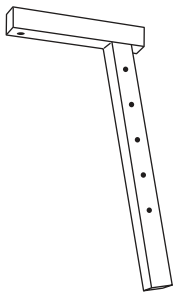


## Performance Chair Instruction Sheet

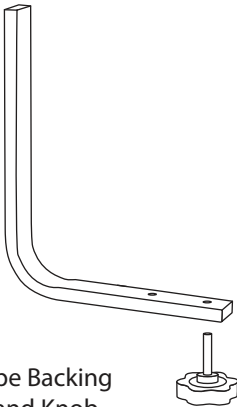
JS-MPF100 item #17980



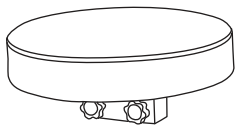
(1) Leg Assembly



(1) Seat Arm



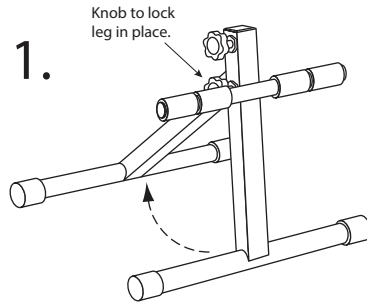
(1) L-Shape Backing Support and Knob



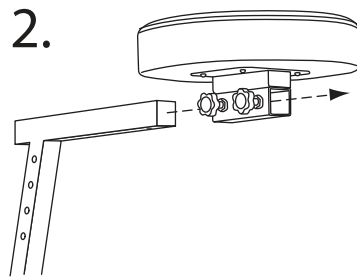
(1) Seat Assembly



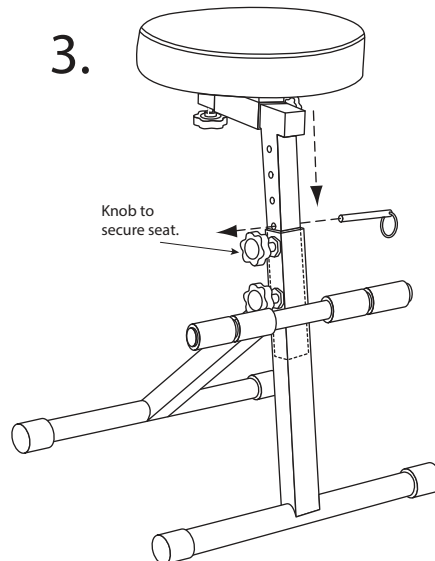
(1) Seat Backing



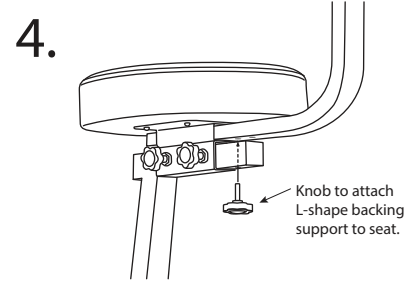
1. Unfold Leg Assembly, then use knob to lock leg in place.



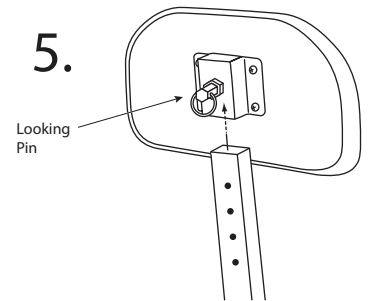
2. Slide the seat arm into the seat assembly. Tighten the two knobs on the seat assembly to lock seat in place.



3. Slide the seat arm into the leg assembly. Slide pin into place, then use knob to secure seat. This can be used to adjust seat height.



4. Slide L-Shape backing support into seat assembly, use knob to attach L-shape backing support to seat. This can be used for adjusting seat backing depth



5. Slide seat backing to L-Shape backing support. Pull on pin to lock into different positions. This can be used to adjust seat backing height.

