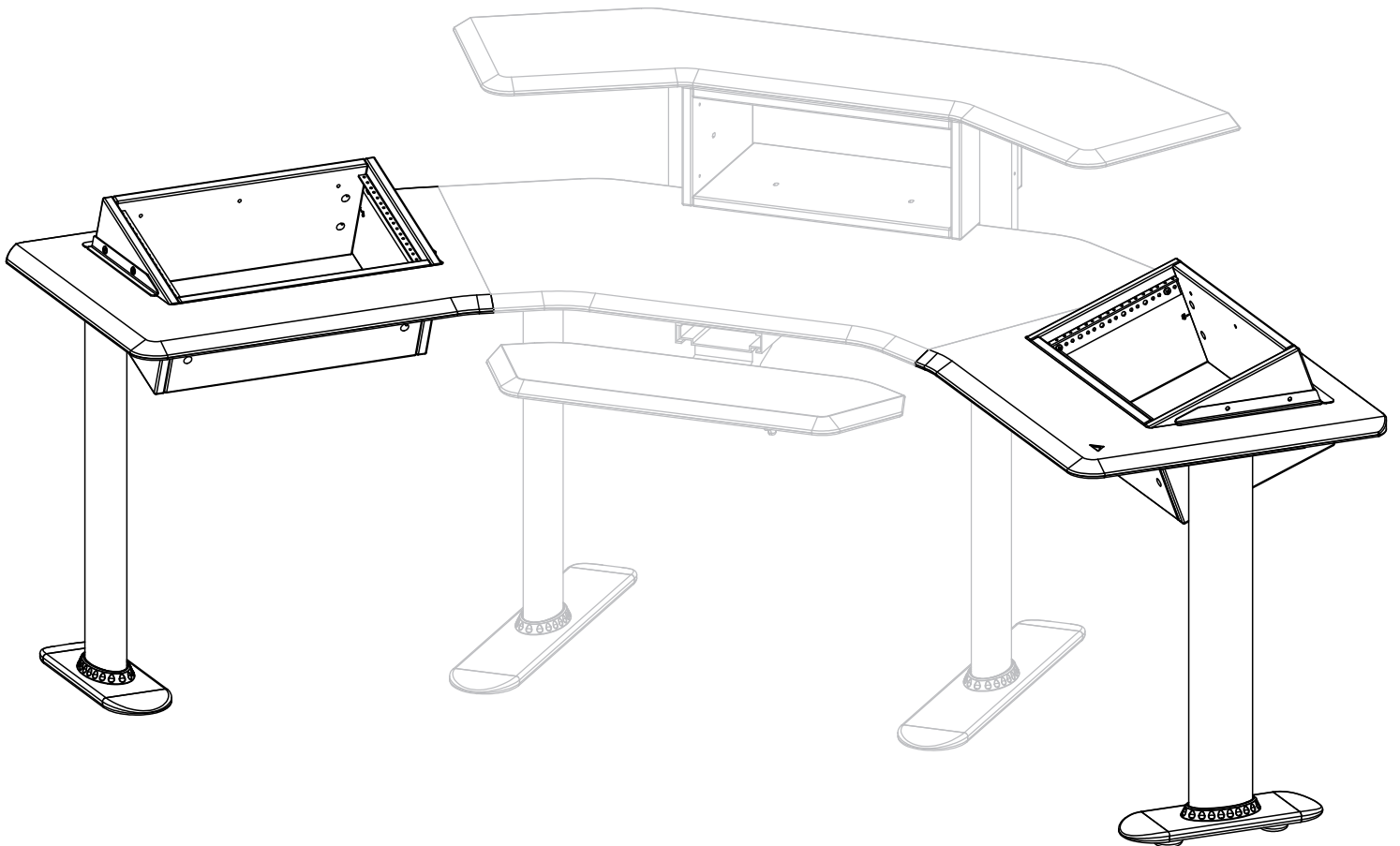


ULTIMATE SUPPORT®

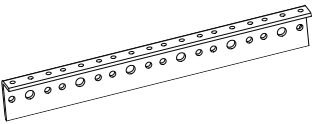
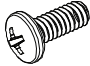
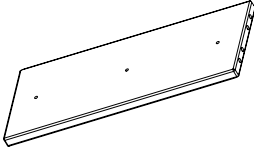
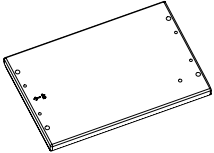
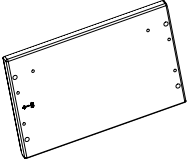
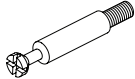
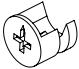
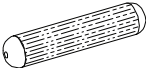
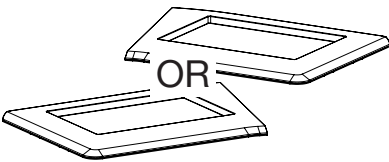


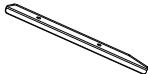
Instructions for Assembling the 24" Extensions Featuring Sunken 6 Space Racks



ULTIMATE SUPPORT®

Instructions for Assembling the 24" Extensions Featuring Sunken 6 Space Racks

Included Parts with the 6 Space Desktop Rack w/ 24" Ext - BOX 13 OR 14

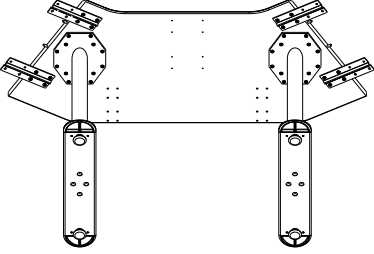
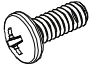
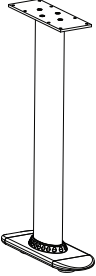
	6 Space Rack Rail	x2
	1/4 - 20 x 5/8" Pan Head Screw	x14
	Bottom and Top Board	x2
	Side Board - Left	x1
	Side Board - Right	x1
	Cam Pin	x8
	Cam Lock	x8
	Dowel Rod	x8
	24" Extension Table Top - Left <u>OR</u> Right	x1
	Long Rack Mount Bracket	x2
	Short Rack Mount Bracket - Right	x1
	Short Rack Mount Bracket - Left	x1

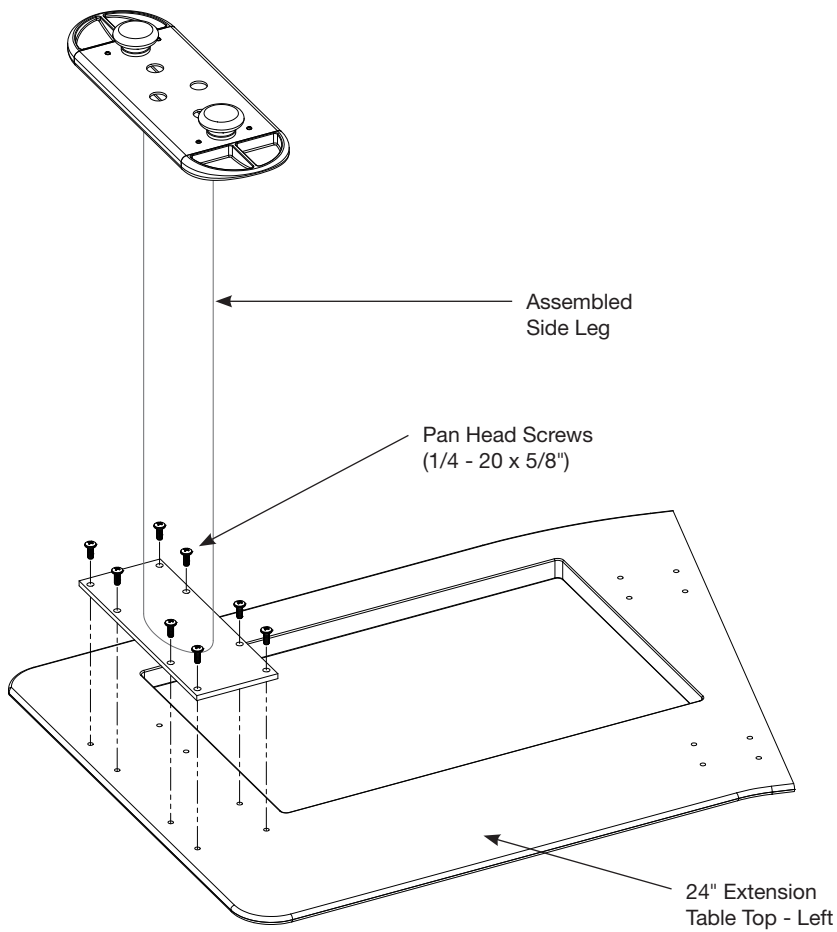
Please check to see you have all parts before starting.
Once all parts are confirmed begin assembly.

ULTIMATE S U P P O R T[®]

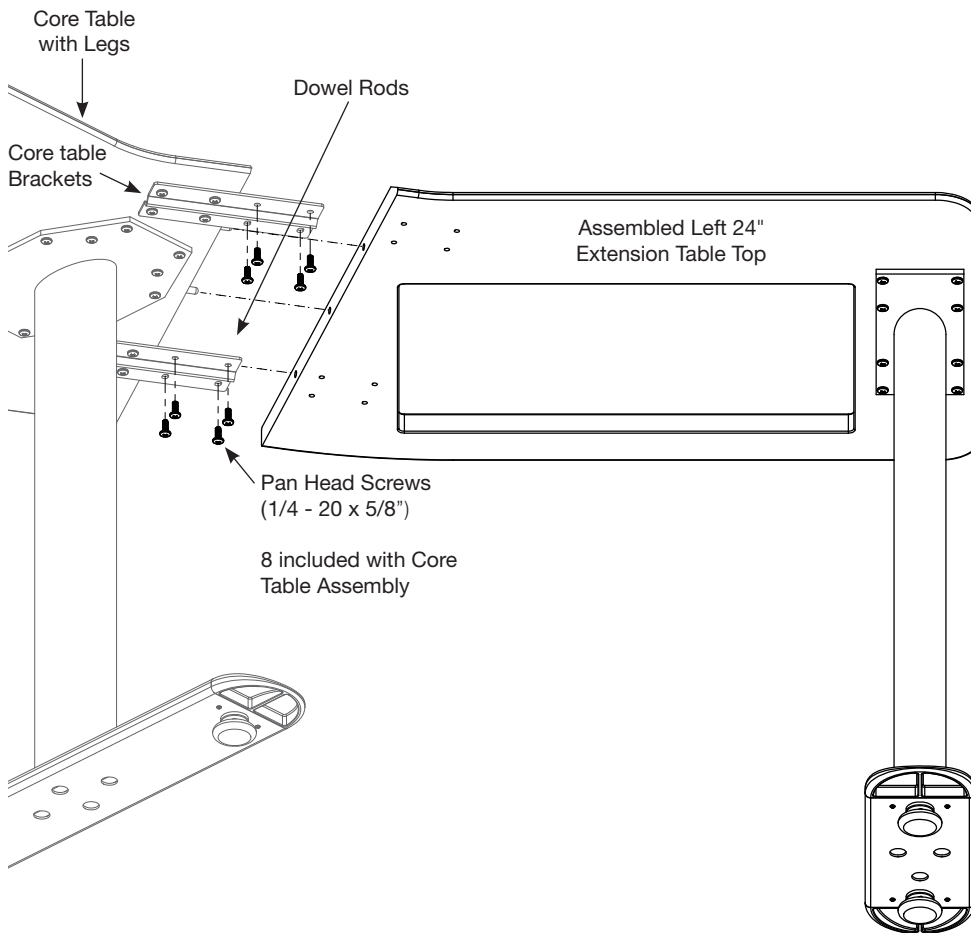
Instructions for Assembling the 24" Extensions Featuring Sunken 6 Space Racks

Additional Parts Needed from other boxes - BOX 1, 2 & 8

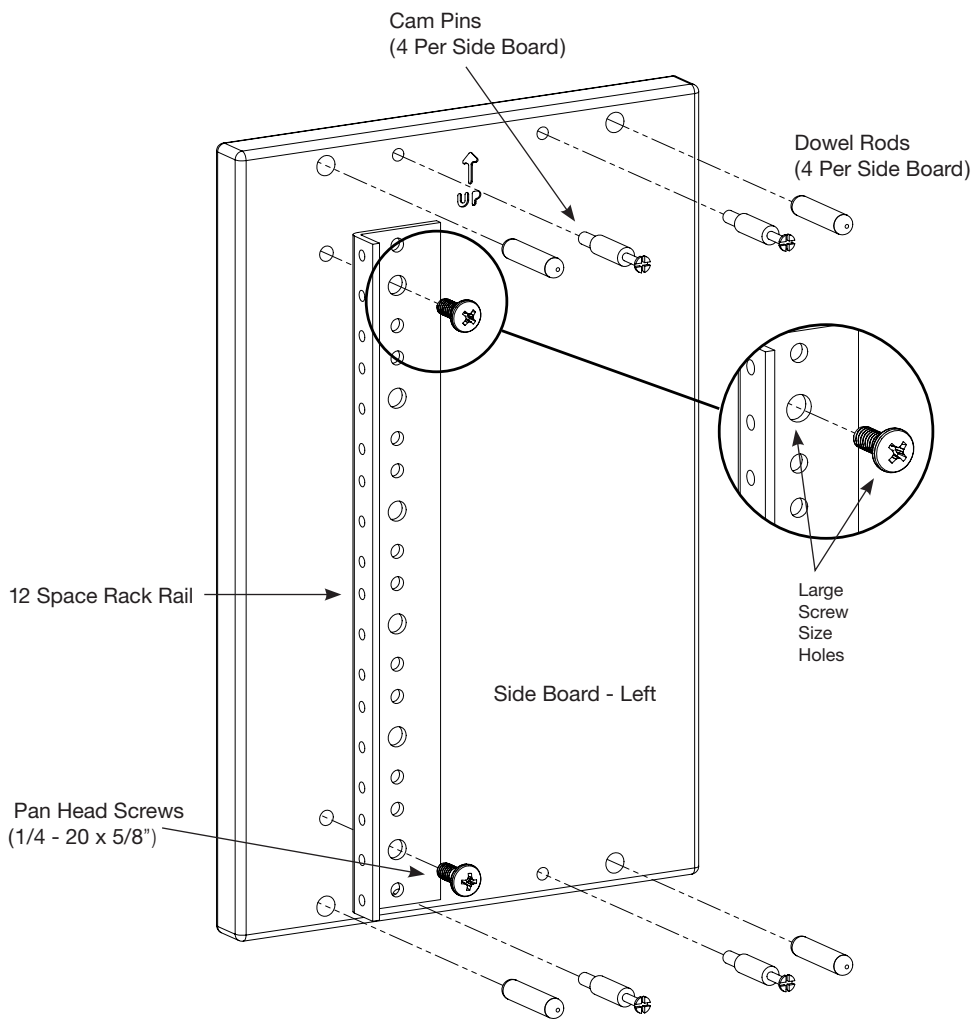
 A line drawing of a rectangular table with a flat top and four legs. The legs are attached to the underside of the table. The table has a grid of small holes on its surface.	Assembled core table with legs (Instructions for assembling core table and legs are included in box 1 & 2)	x1
 A line drawing of a single pan head screw with a hexagonal head and a threaded shaft.	1/4 - 20 x 5/8" Pan Head Screw (Included with core table and side leg, box 1 & 8)	x16
 A line drawing of a single side leg. It consists of a vertical post with a flat rectangular top plate and a small base plate at the bottom.	Assembled side leg (Instructions for assembling side leg are included in box 8)	x1



Lay 24" extension face down with holes facing up. Place assembled side leg on 24" extension and line-up all eight holes. Attach table top and side leg together with eight pan head screws (1/4 - 20 x 5/8").



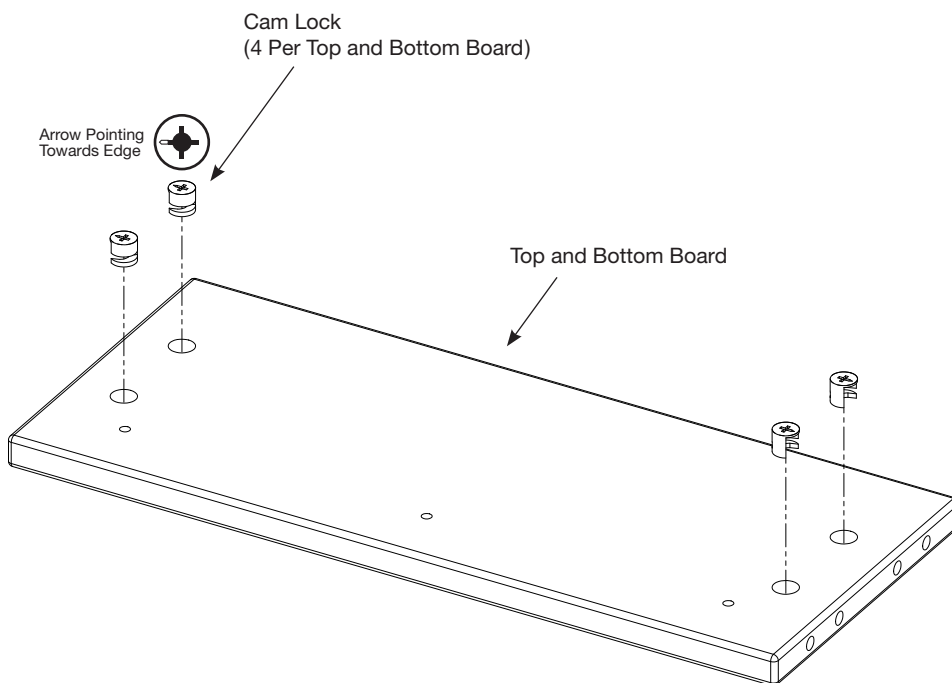
Slide the 24" extension onto the three dowel rods and line-up holes with the two brackets on the core table. Use the eight pan head screws (1/4 - 20 x 5/8") that came with the core table assembly (Box 1) to attach 24" extension.



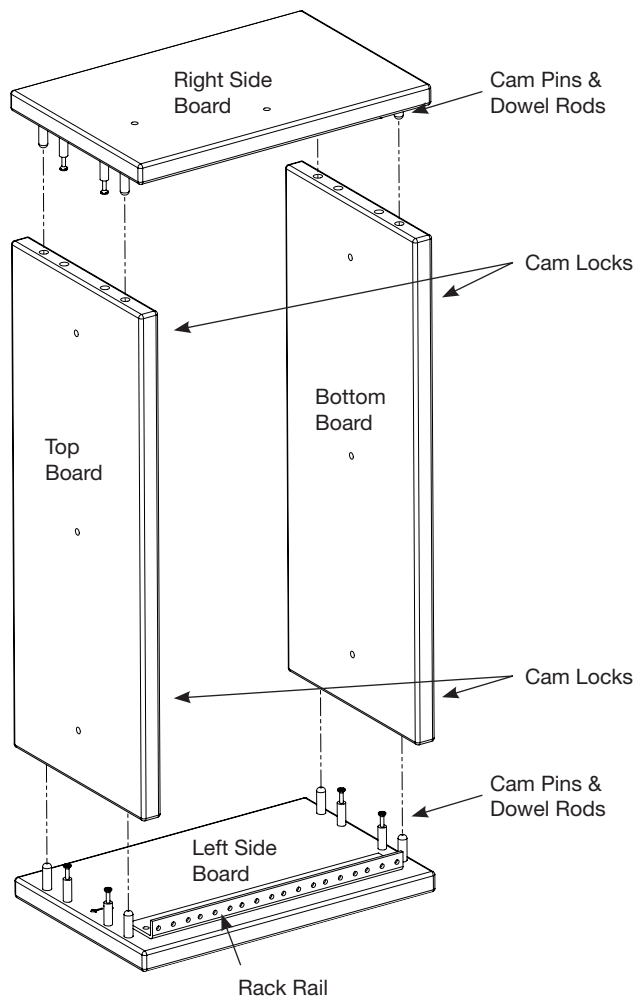
Screw cam pins into top and bottom of side board. Cam pins screw into inside holes. Next push the dowel rods into top and bottom of side board using the outside holes.

Line-up rack rail and side board holes. Use two Pan Head Screws (1/4 - 20 x 5/8") to attach. Use one Screw at the top and bottom.

Repeat above steps on the opposite side board.



Lay Top and bottom board with large holes facing up. Push the four cam locks into large holes on the top and bottom board. The arrow on the cam locks should be pointing towards the edge.

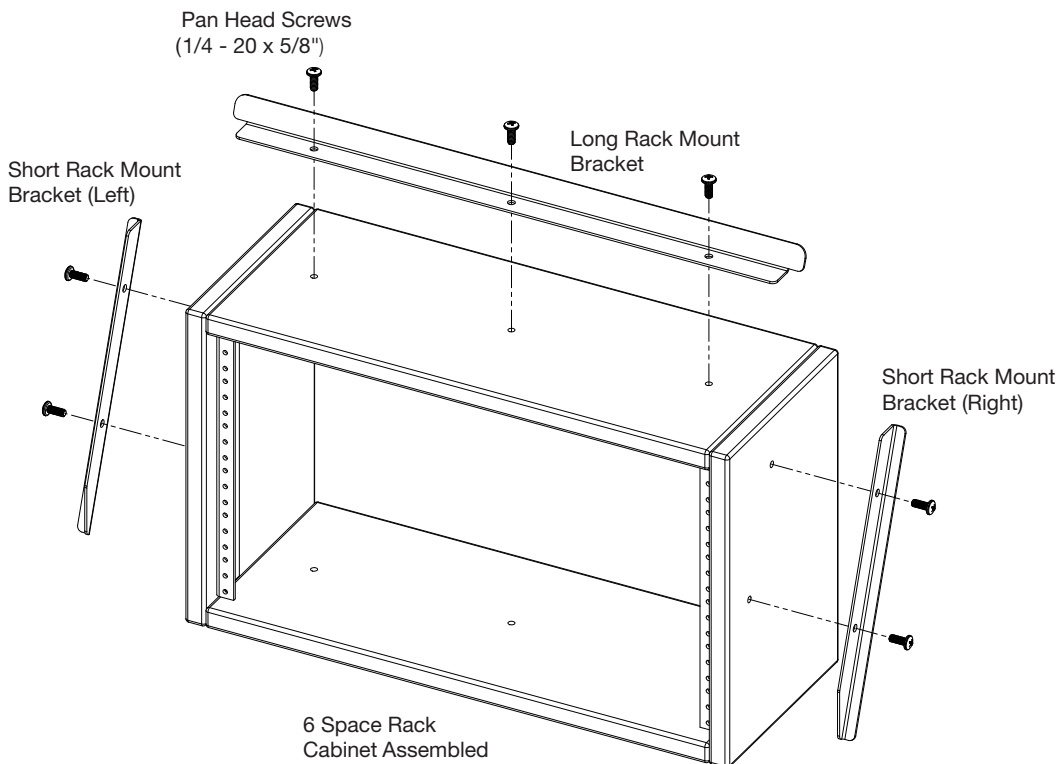


Lay the left side board down with the rack rail facing up. Slide the top and bottom board onto dowel rods and cam pins. On top and Bottom boards make sure the cam locks are facing the bottom of the left side board.

Slide the right side board into the top and bottom boards. Place screw driver into cam lock and turn clockwise to lock cam pins in place (12 Total).

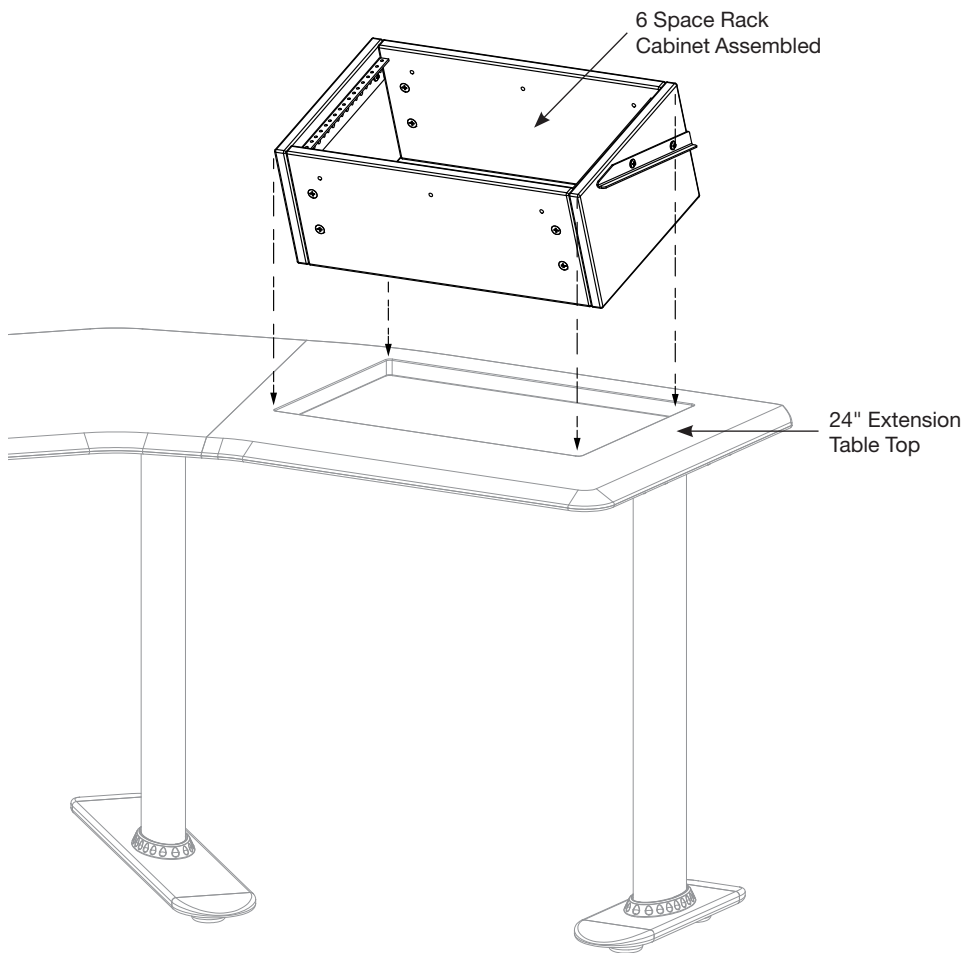
NOTE:

If boards are not sliding into place, check cam locks. You may need to turn them counter clockwise for cam pin to fall into place, then turn clockwise to lock into place.

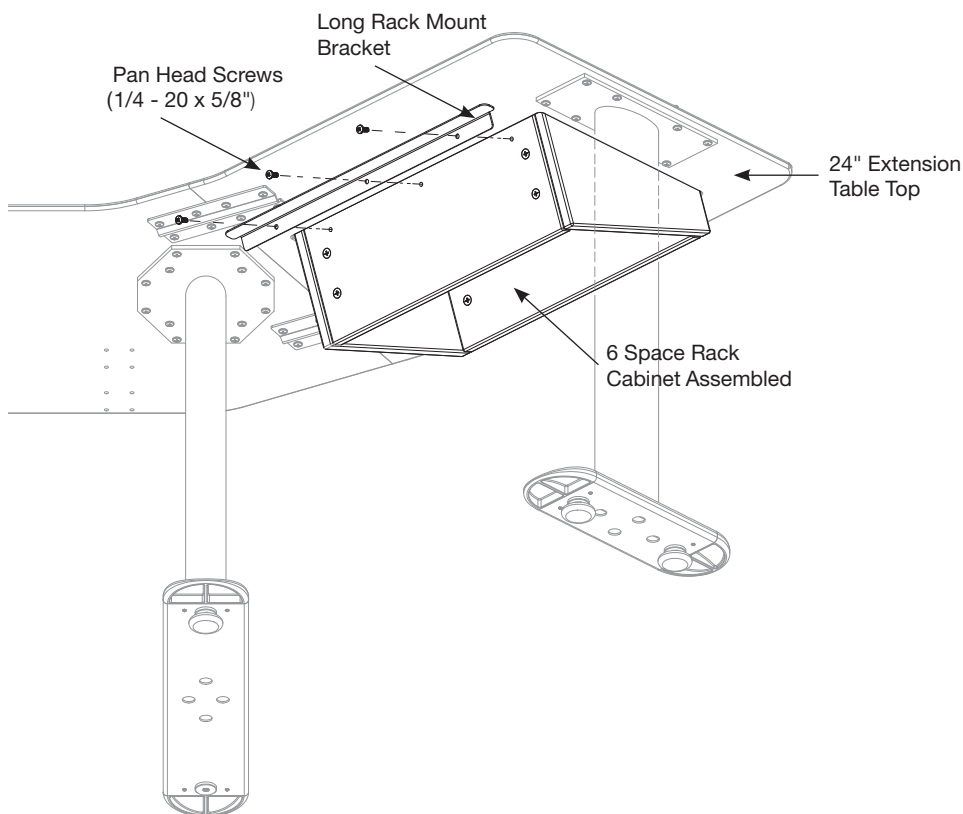


Attach the short left and right rack mount brackets to the sides of the 6 space rack cabinet with four pan head screws (1/4 - 20 x 5/8"). Attach the long rack mount bracket to the top of the 6 space rack cabinet. Use three more pan head screws (1/4 - 20 x 5/8") to attach.

Repeat above steps for the other 6 space rack cabinet.



Place 6 space cabinet through opening on 24" extension. Rack mount brackets will rest on top of 24" extension table top.



Secure the 6 space rack cabinet to the 24" extension table top by attaching long rack mount bracket and 3 Pan head screws (1/4 - 20 x 5/8"). Screws attach to 6 space rack cabinet only.

