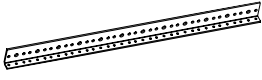
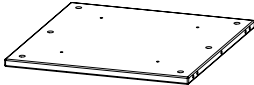
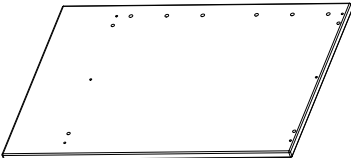
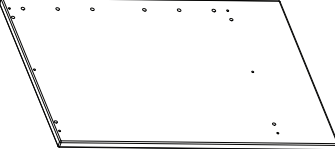
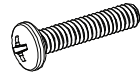

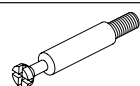
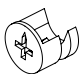
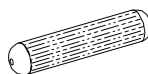

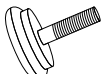
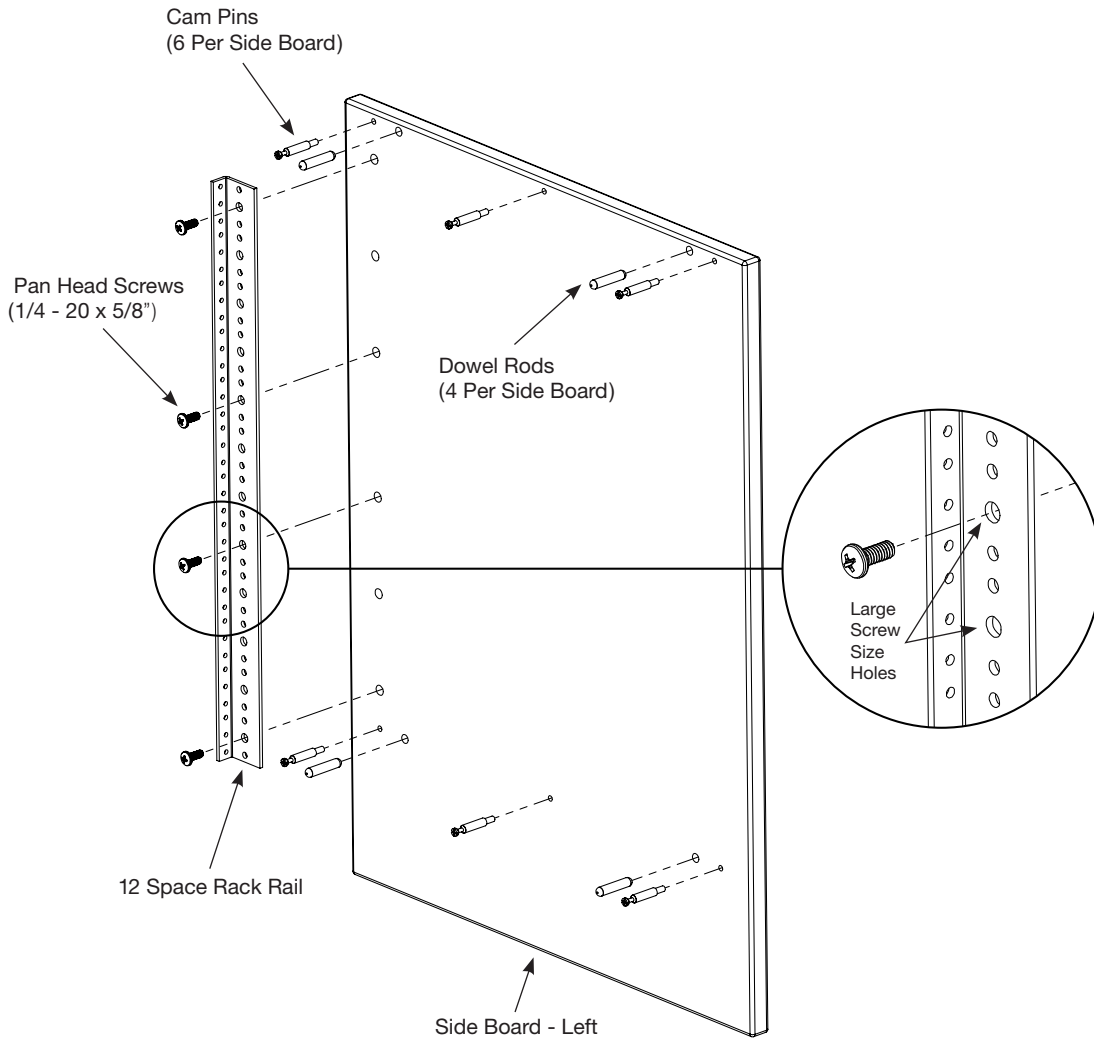


# ULTIMATE S U P P O R T<sup>®</sup>

## Instructions for Assembling 12 Space Rack Cabinet

### Included Parts with the 12 Space Rack Cabinet - BOX 9

	12 Space Rack Rail	x2
	Bottom and Top Board	x2
	Side Board - Left	x1
	Side Board - Right	x1
	1/4 - 20 x 1 3/8" Pan Head Screw	x4
	Flat Washer	x4
	Cam Pin	x12
	Cam Lock	x12
	Dowel Rod	x8
	1/4 - 20 x 5/8" Pan Head Screw	x8
	Leveling Foot	x4

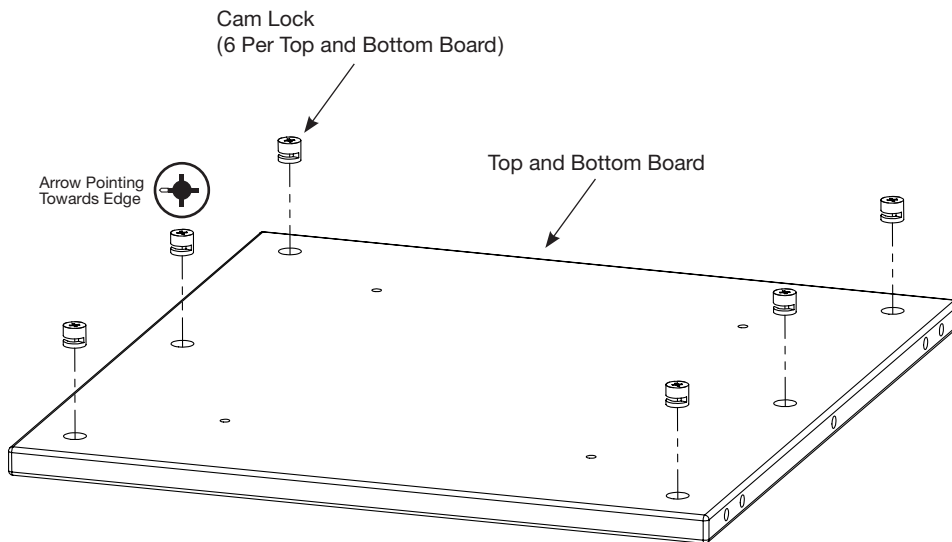


Screw cam pins into top and bottom of side board.

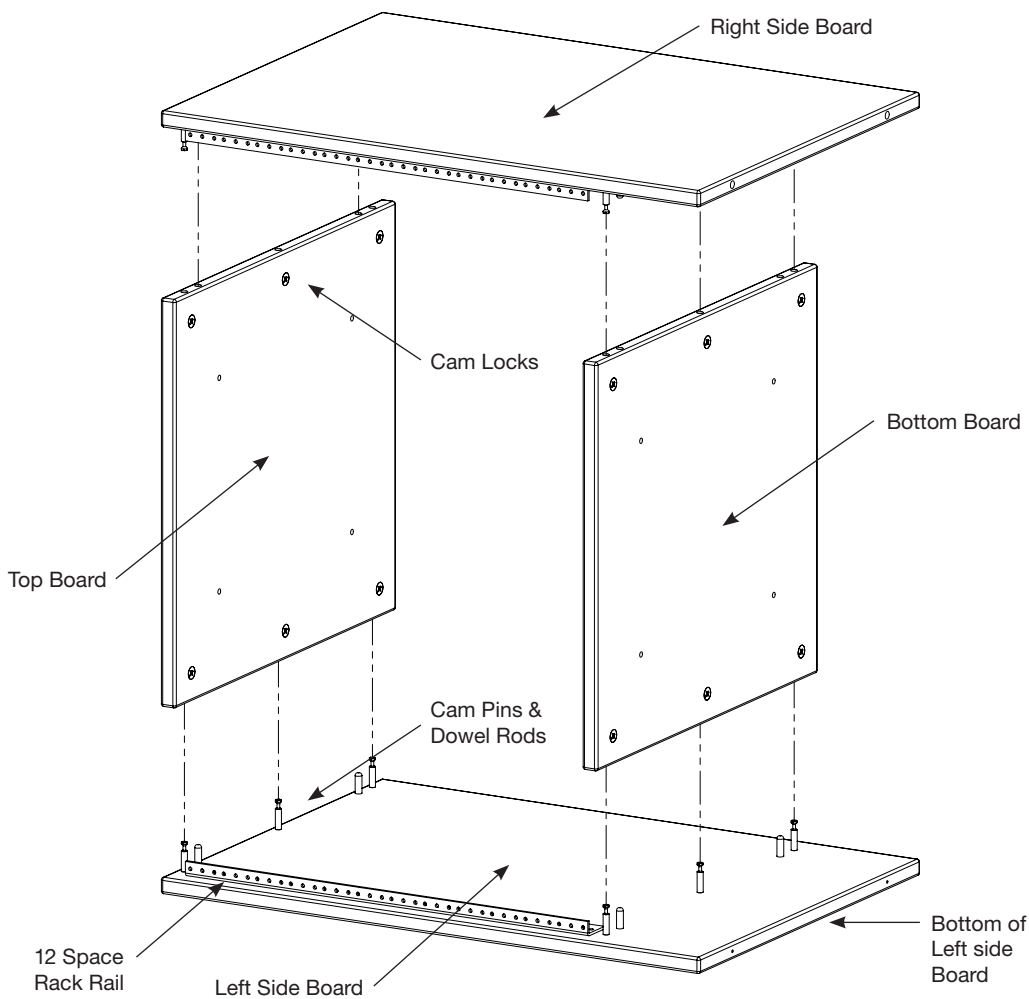
Cam pins screw into outside holes and center hole. Next push the dowel rods into top and bottom of side board using the inside holes.

Line-up rack rail and side board holes. Use four Pan Head Screws (1/4 - 20 x 5/8") to attach. Use one Screw at the top, bottom, and two in the middle.

Repeat above steps on the opposite side board.



Lay Top and bottom board with large holes facing up. Push the six cam locks into large holes on the top and bottom board. The arrow on the cam locks should be pointing towards the edge.

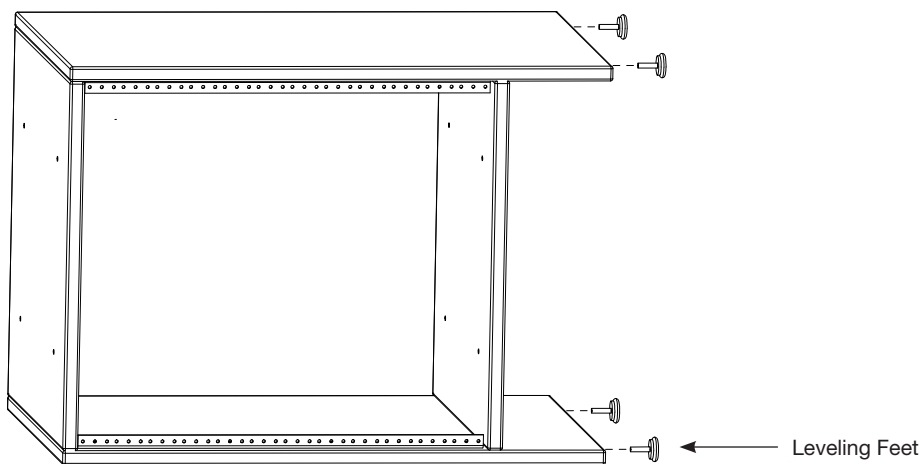


Lay the left side board down with the rack rail facing up. Slide the top and bottom board onto dowel rods and cam pins. On top and Bottom boards make sure the cam locks are facing the bottom of the left side board.

Slide the right side board into the top and bottom boards. Place screw driver into cam lock and turn clock wise to lock cam pins in place (12 Total).

**NOTE:**

If boards are not sliding into place, check cam locks. You may need to turn them counter clock-wise for cam pin to fall into place, then turn clock-wise to lock into place.



Attach leveling feet to assembled rack cabinet.

