

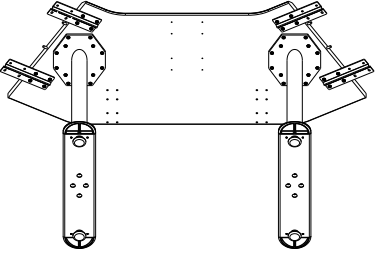

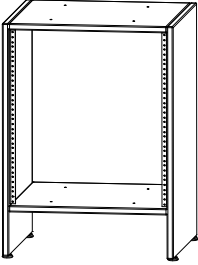
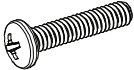
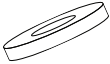
ULTIMATE SUPPORT®

Instructions for Assembling Left 24" Extension and 12 Space Rack Cabinet with Core Table

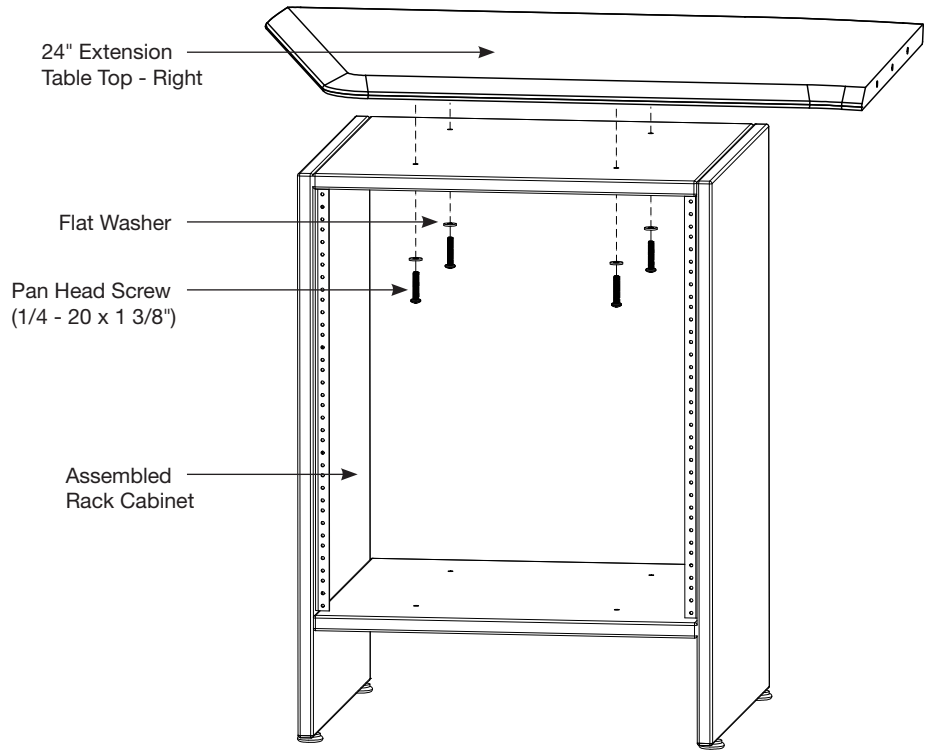
Included Parts with the 24" Extension - BOX 7

	24" Extension Table Top - Left	x1
--	--------------------------------	-----------

Additional Parts Needed from other boxes - BOX 1, 2 & 9

	Assembled core table with legs (Instructions for assembling core table and legs are included in box 1 & 2)	x1
	1/4 - 20 x 5/8" Pan Head Screw (Included with core table assembly, box 1)	x8
	Assembled rack cabinet (Instructions for assembling rack cabinet are included in box 9)	x1
	1/4 - 20 x 1 3/8" Pan Head Screw (Included with rack cabinet assembly, box 9)	x4
	Flat Washer (Included with rack cabinet assembly, box 9)	x4

Stand rack cabinet up, place left 24" extension table top on rack cabinet and line-up holes. Attached table top and cabinet together with four pan head screws (1/4 - 20 x 1 3/8") and flat washers.



Slide the 24" extension onto the three dowel rods and line-up holes with the two brackets on the core table. Use the eight pan head screws (1/4 - 20 x 5/8") that came with the core table assembly (Box 1) to attach 24" extension.

