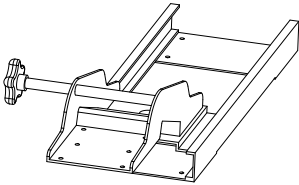
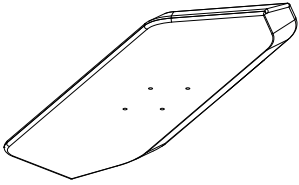
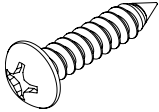
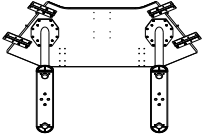


Instructions for Assembling Keyboard Tray

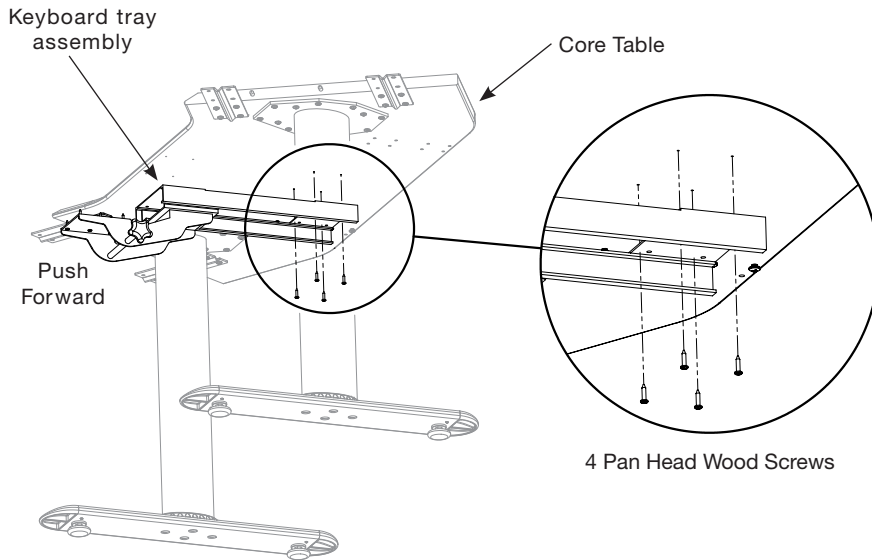
Included Parts with the Keyboard Tray - BOX 5

	<p>Keyboard Tray Assembly</p>	<p>x1</p>
	<p>Keyboard Tray</p>	<p>x1</p>
	<p>#8 x .75" Pan Head Wood Screw</p>	<p>x14</p>

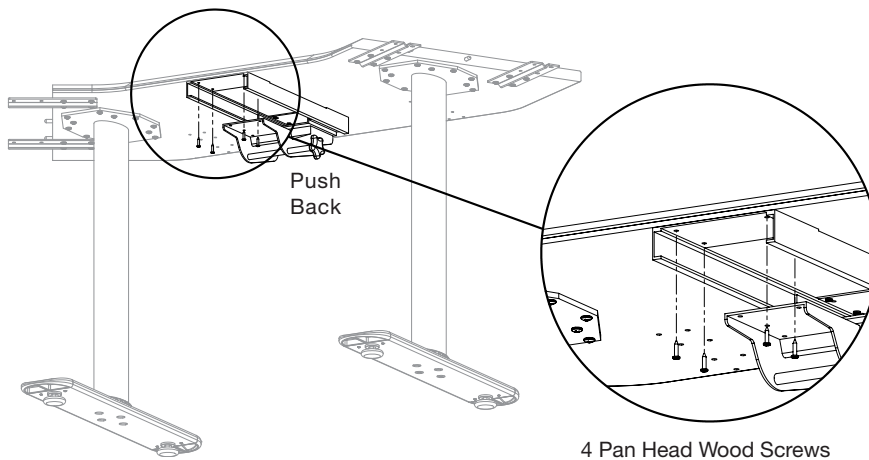
Additional Parts Needed from other boxes - BOX 1 & 2

	<p>Assembled core table with legs (Instructions for assembling core table and legs are included in box 1 & 2)</p>	<p>x1</p>
---	---	------------------

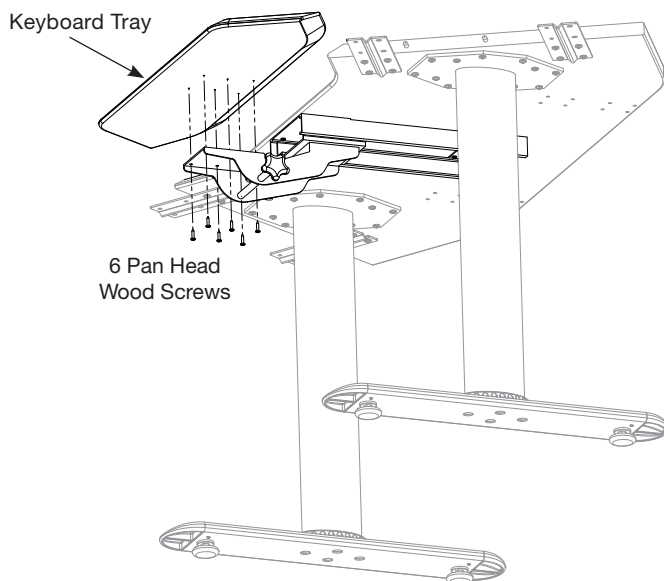
ULTIMATE SUPPORT®



Pushed keyboard tray forward. Line-up the back four center holes of the core table with the back holes of the keyboard tray assembly. Use four pan head wood screws to attach.



Push keyboard tray back to access the other four keyboard tray assembly holes in the front. Use four pan head wood screws to finish attaching keyboard tray assembly to core table. You may need to loosen back screws to line-up front screw holes, then tighten screws again.



Push forward the keyboard tray assembly. Line-up holes on the keyboard tray assembly with keyboard tray. Use six pan head wood screws to attach.