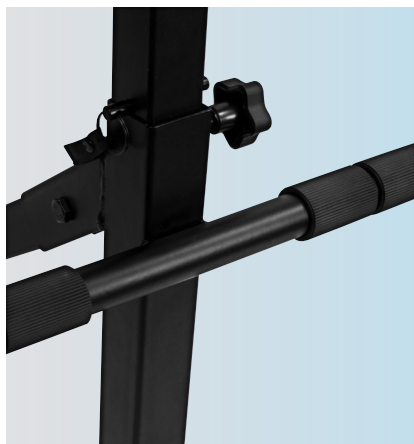


JS-MPF100 ITEM# 17980

Our JamStands® Series Music Performance Chair has been designed with performing guitarists, drummers and keyboardists in mind. The adjustable throne with backrest design offers relief to performers looking for a way to take it easy on their backs, and the footrest is ideal for performing guitar players. Fully adjustable and easy to set up and tear down, the JS-MPF100 can hold up to 300 lbs and is ready for whatever you can throw at it.



MUSIC PERFORMANCE CHAIR



SPECS

- Product Name: JS-MPF100
- Part Number: 17980
- Seat height: 21.75" – 30.75" (552mm - 781mm)
- Backrest Depth: 2 Positions
- Backrest Height: 4 Positions
- Seat Padding Thickness: 2.25" (57mm)
- Backrest Padding Thickness: 1" (25mm)
- Load Capacity: 300 lbs. (136kg)



Phone: 1-800-525-5628
Fax: 970.776.1941
Web: www.ultimatesupport.com
R. 3, 11/10/22, 1S-JAM-JS-MPF100