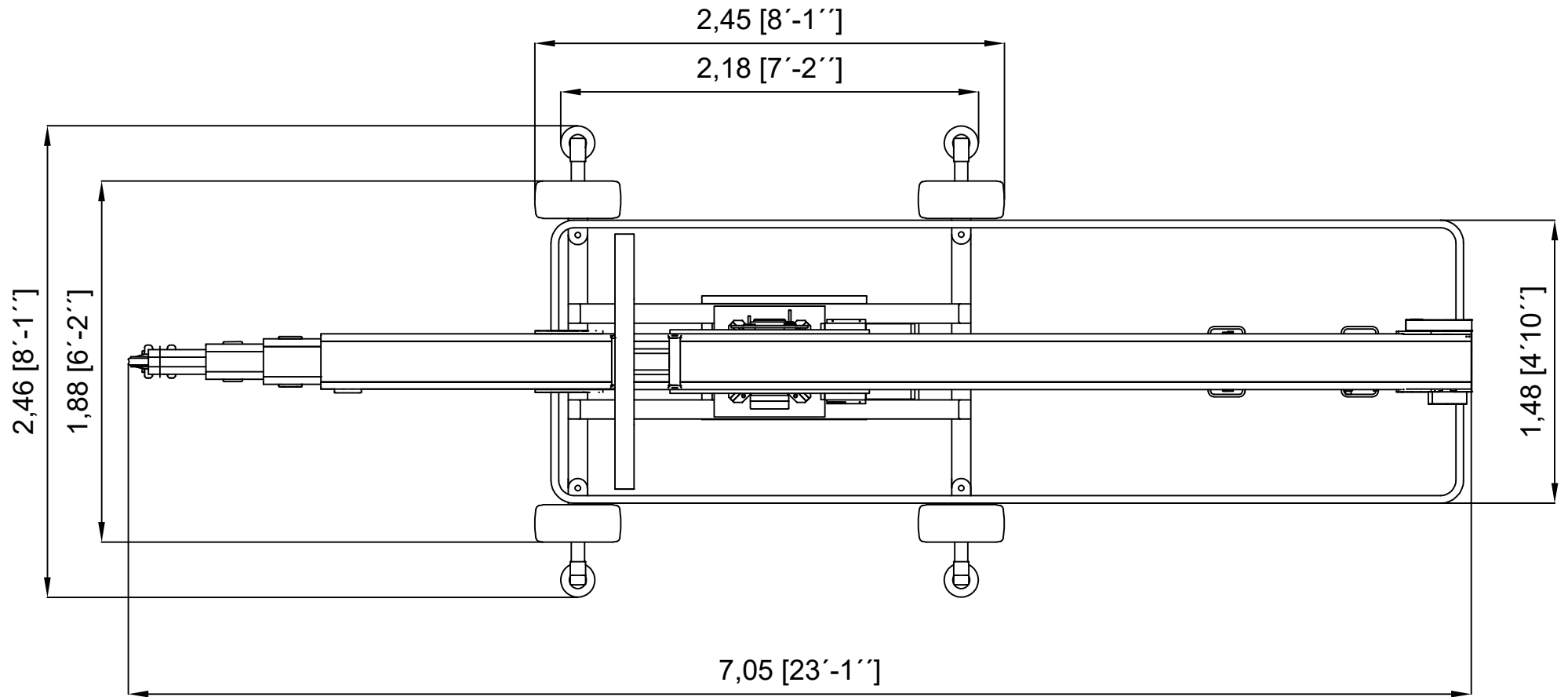


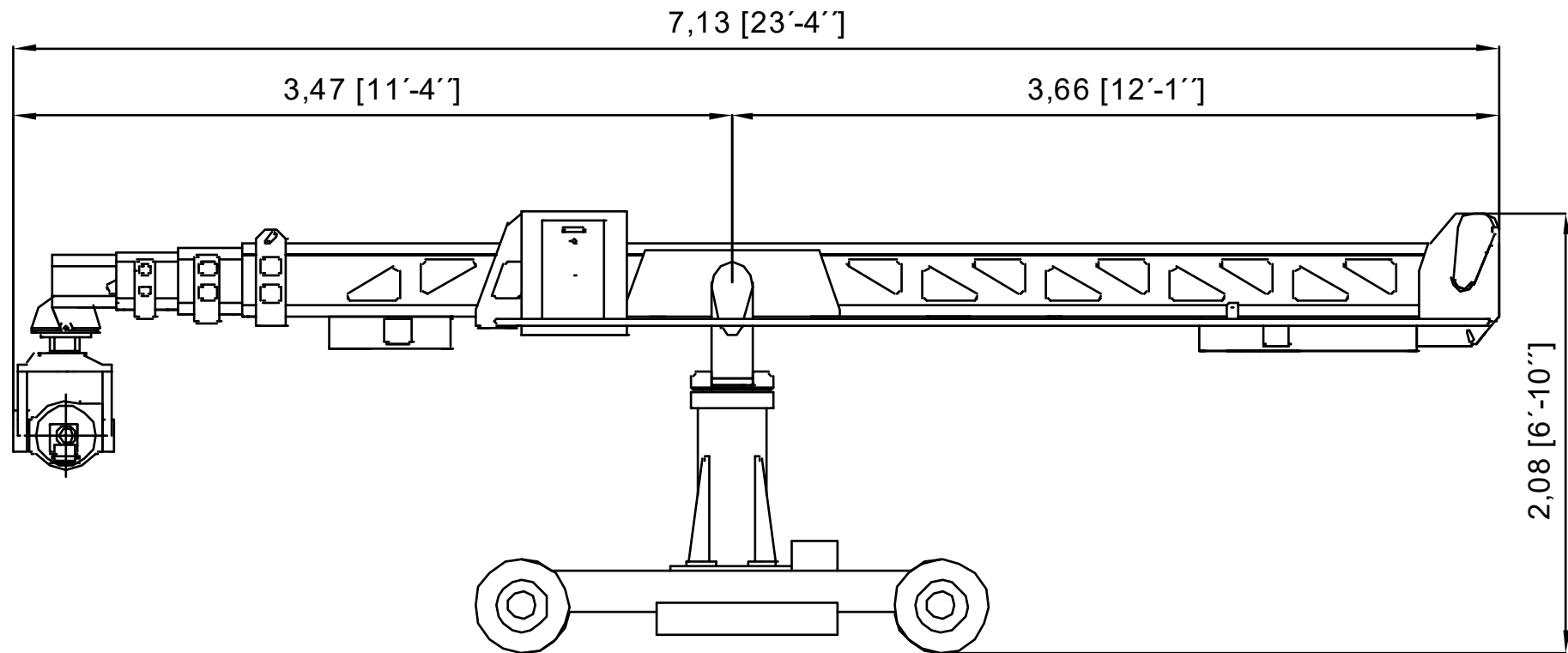
SUPERTECHNO 50 PLUS

Max. lens height:	15,1 m / 50 ft.
Max. telescopic extent:	11,3 m / 37 ft.
Max. camera weight:	35 kg / 80 lb
Total weight:	2520 kg / 5100 lb
Max. speed	2,0 m/s



SUPERTECHNO 50 PLUS

Max. lens height:	15,1 m / 50 ft.
Max. telescopic extent:	11,3 m / 37 ft.
Max. camera weight:	35 kg / 80 lb
Total weight:	2520 kg / 5100 lb
Max. speed:	2,0 m/s



SUPERTECHNO 50 PLUS

Max. lens height: 15,1 m / 50 ft.
Max. telescopic extent: 11,3 m / 37 ft.
Max. camera weight: 35 kg / 80 lb
Total weight: 2520 kg / 5100 lb
Max. speed: 2,0 m/s

