

# VORTEX FLOW METER

- ✓ STEAM MEASUREMENT
- ✓ BEST CHOICE OF TRADE SETTLEMENT

1.0% Accuracy Measurement





New High-tech  
Enterprise



CE



ATEX



ISO

## ADAPT TO VARIOUS COMPLEX CONDITIONS

One flow meter, Different Medium

Steam, air and liquid all workable  
Anti-interference, anti-vibration, resist high temperature



# EVERY DETAIL OF PRODUCT HIGHLIGHTS THE BRAND AND QUALITY

---



Explosion-proof



Resist High  
Temperature



Accurate  
Measurement



Long Service Life



Temperature And  
Pressure Compensation  
Optional



24/7  
Sale Service

# PRODUCT FEATURES

**NO.1**

## Low Power Consumption LCD Display

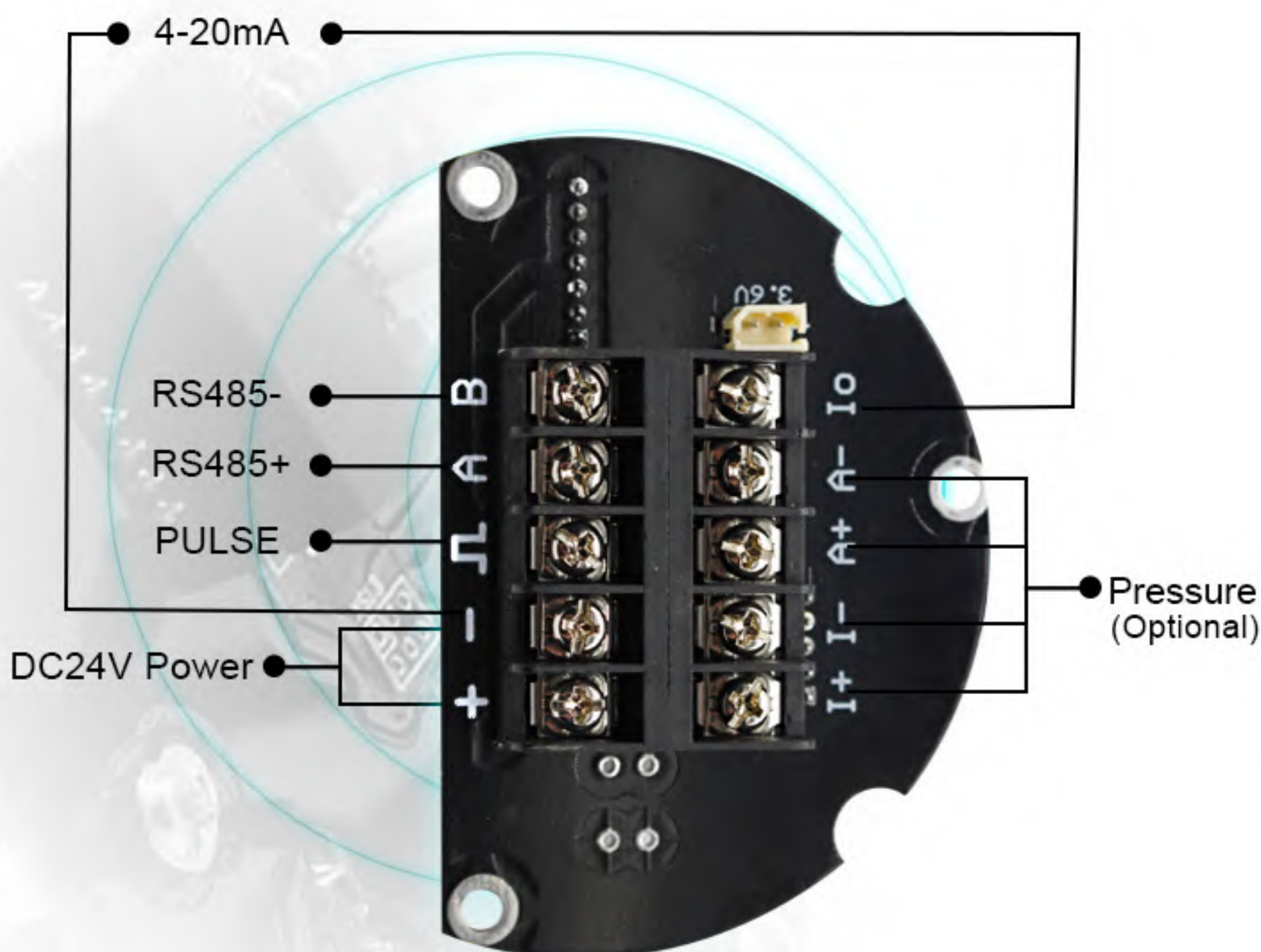
Big LCD display with back light is easy to debug and observe



- Instantaneous Flow
- Total Flow
- Frequency, Density, Temperature, Current or Percentage

**NO.2**

## Anti-vibration, Anti-interference Digital Circuit Board



**NO.3**

## Dual Power

Embedded 3.6V Lithium battery, sustain more than 2 years.

**3.6V**

Lithium Battery

**DC 24V**

Power Supply

**SAFE**

Eco-efficient



**NO.4**

## High sensitivity, high temperature sensor

Medium temperature 250 °C (standard), 350 °C (high temperature) optional.

-40°C



350°C

- Adopt Japan technology to improve product stability and accuracy.
- Low pressure loss, high reliability, less maintenance.
- Integral forging, anti-rust, long service life.
- Body Material SS304 , **Optional SS316.**

## **NO.5** Welding



Advanced welding technology, durable structure, welding seam smooth and beautiful

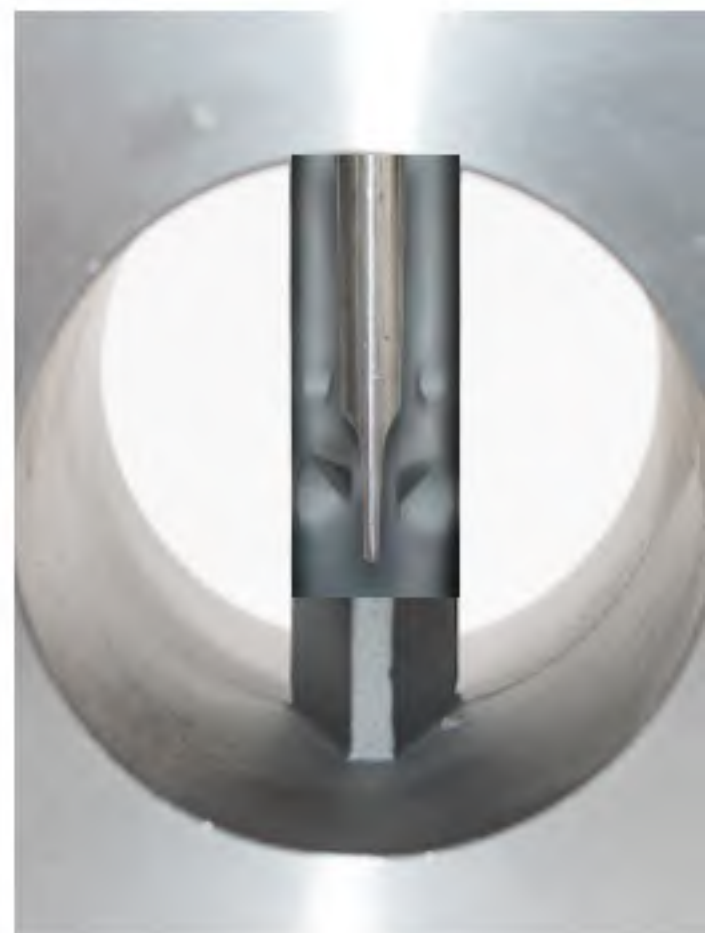
## **NO.6** Triangular Prism



Integrally forged triangular prism, more stable and safe

## **NO.7** High Stability And Accuracy

Built-in integrated flow and temperature sensor, no burrs, ensure stable signal and high accuracy measurement.



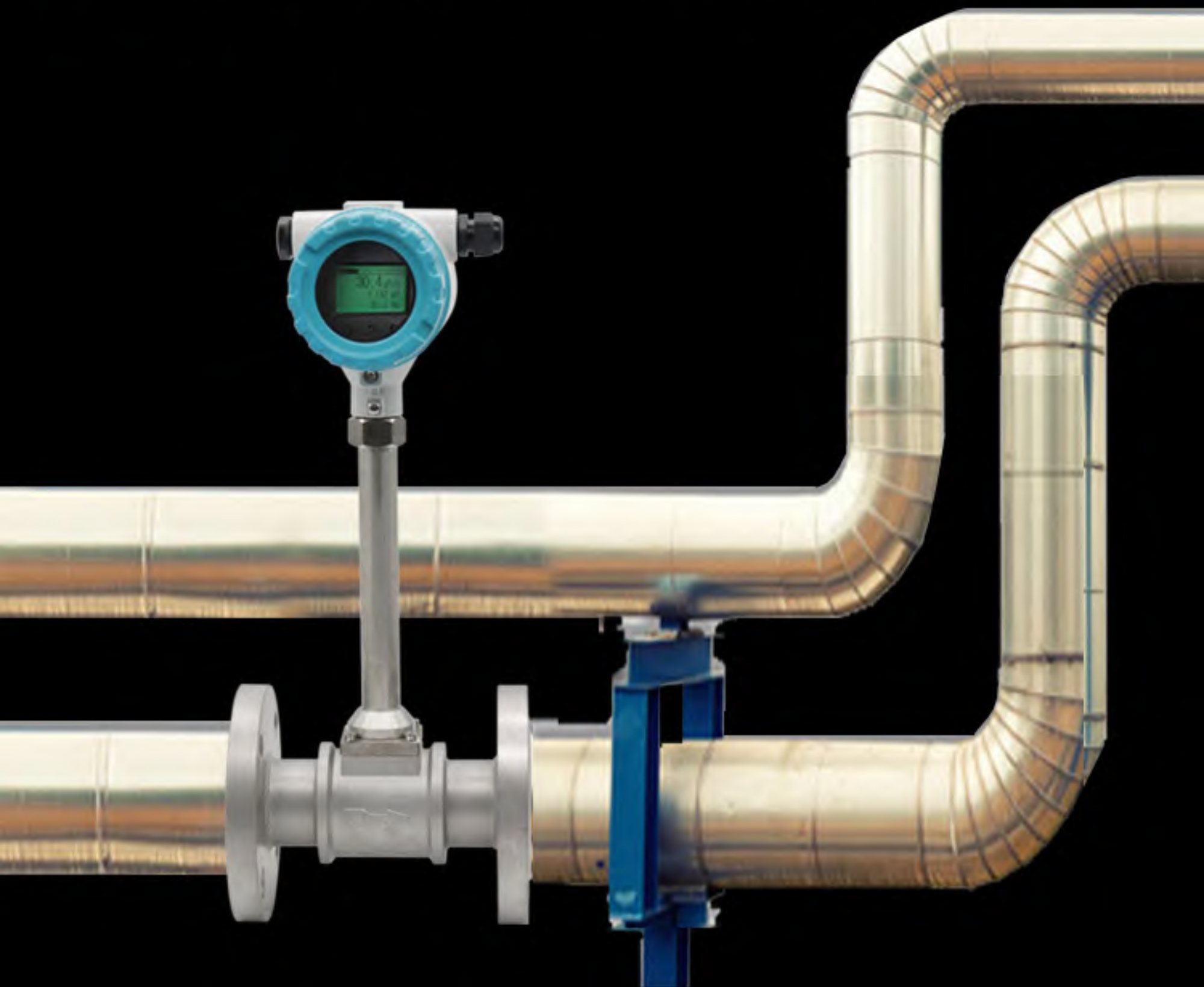
- Impact testing, no leakage, stable signal
- Built-in four piezoelectric crystals, eliminates interference and zero point drift

**Temperature & Flow integrated sensor  
( with temperature compensation)**

**NO.8**

## Anti-vibration Detection

Anti-vibration testing, under different amplitude & vibration, make sure measuring accuracy under different working condition.







# Compact temperature & pressure compensation vortex flow meter (OPTIONAL)



Standard Vortex Flow Meter



Pressure Sensor



Temperature & Flow integral sensor

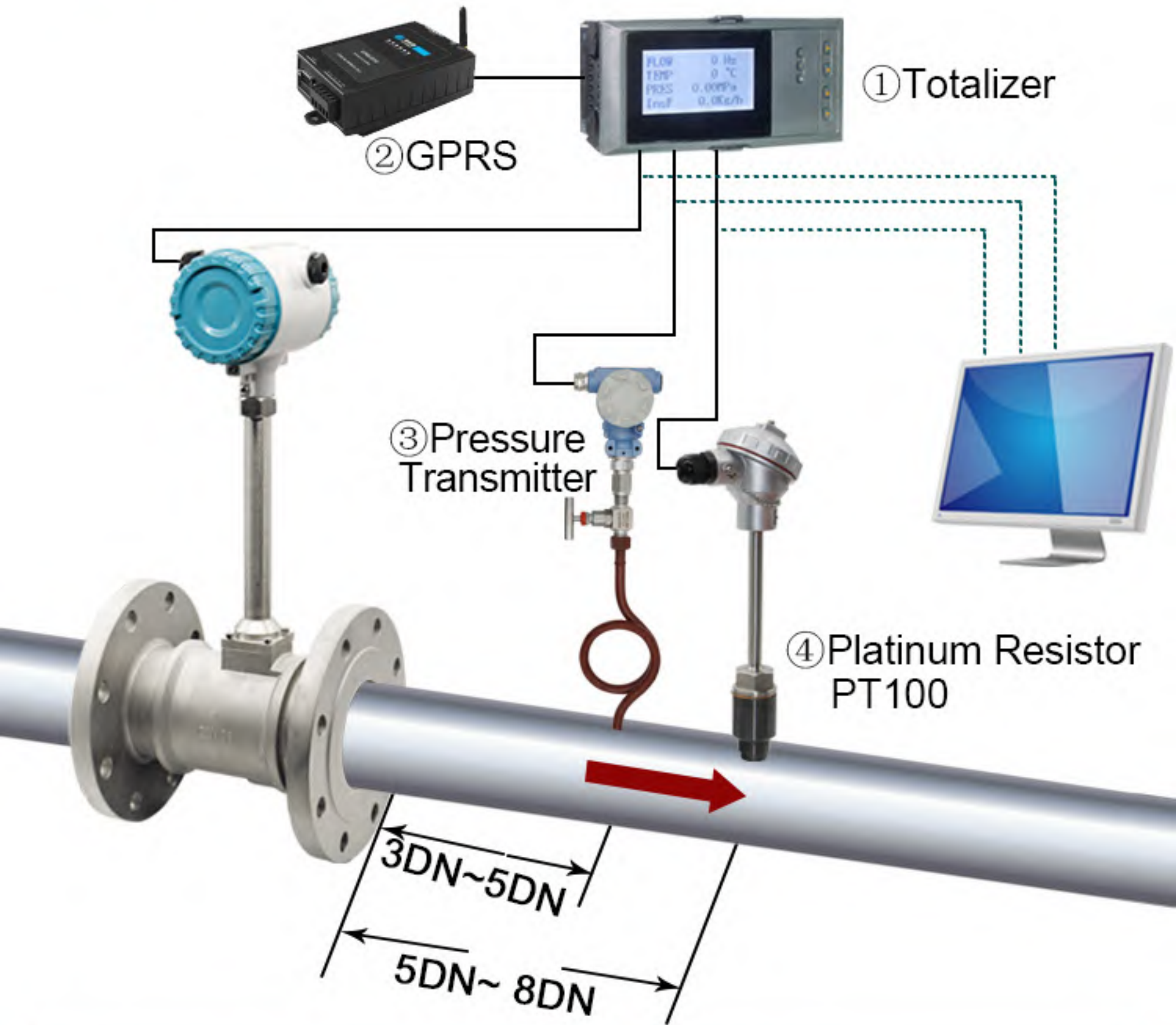


Compact Temperature & Pressure Compensation Vortex Flow Meter

Temperature and pressure compensation can choose one or two options



# Remote Vortex Flow Meter



## ① Totalizer

Read temperature, pressure, flow at same time, easy to observe data

## ② GPRS

Realize wireless remote reading, easy to receive signal

## ③ Pressure Transmitter

Realize pressure compensation

## ④ Platinum Resistor PT100

Realize temperature compensation

Optional functions select at will

# MORE PRODUCTS SHOW



# PRODUCT PARAMETERS

## Technical Performance Parameters

Measured Medium	Liquid, Gas, Steam
Medium Temp	-40°C~+200°C; -40°C~+280°C; 40°C~+350°C
Nominal Pressure	1.6MPa;2.5MPa;4.0MPa;6.4MPa(Other pressure can be custom,need consult supplier)
Accuracy	1.0%(Flange), 1.5%(Insertion)
Measuring range ratio	1:10(Standard air condition as reference) 1:15(Liquid)
Flow Range	Liquid:0.4-7.0m/s; Gas:4.0-60.0m/s; Steam:5.0-70.0m/s
Specifications	DN15-DN300(Flange), DN80-DN2000(Insertion), DN15-DN100(Thread), DN15-DN300(Wafer), DN15-DN100(Sanitary)
Material	SS304(Standard), SS316(Optional)
Pressure Loss Coefficient	$C_d \leq 2.6$
Vibration Acceleration Allowed	$\leq 0.2g$
IEP ATEX	II 1G Ex ia IIC T5 Ga
Ambient Condition	Ambient Temp:-40°C-65°C(Non-explosion-proof site); -20°C-55°C(Explosion-proof site) Relative Humidity: $\leq 85\%$ Pressure:86kPa-106kPa
Power Supply	12-24V/DC or 3.6V battery powered
Signal Output	Pulse frequency signal 2-3000Hz, Low level $\leq 1V$ , high level $\geq 6V$
	Two-wire system 4-20 signal(isolated output), Load $\leq 500$

## Flow Range

Size (mm)	Liquid(Reference medium:normal temperature water, m <sup>3</sup> /h)		Gas(Reference medium:20°C, 101325pa condition air, m <sup>3</sup> /h)	
	Standard	Extended	Standard	Extended
15	0.8~6	0.5~8	6~40	5~50
20	1~8	0.5~12	8~50	6~60
25	1.5~12	0.8~16	10~80	8~120
40	2.5~30	2~40	25~200	20~300
50	3~50	2.5~60	30~300	25~500
65	5~80	4~100	50~500	40~800
80	8~120	6~160	80~800	60~1200
100	12~200	8~250	120~1200	100~2000
125	20~300	12~400	160~1600	150~3000
150	30~400	18~600	250~2500	200~4000
200	50~800	30~1200	400~4000	350~8000
250	80~1200	40~1600	600~6000	500~12000
300	100~1600	60~2500	1000~10000	600~16000
400	200~3000	120~5000	1600~16000	1000~25000
500	300~5000	200~8000	2500~25000	1600~40000
600	500~8000	300~10000	4000~40000	2500~60000

**Superheated Steam Density Value (relative pressure & temperature) Unit: Kg/m3**

Absolute Pressure (Mpa)	Temperature(°C)					
	150	200	250	300	350	400
0.1	0.52	0.46	0.42	0.38		
0.15	0.78	0.70	0.62	0.57	0.52	0.49
0.2	1.04	0.93	0.83	0.76	0.69	0.65
0.25	1.31	1.16	1.04	0.95	0.87	0.81
0.33	1.58	1.39	1.25	1.14	1.05	0.97
0.35	1.85	1.63	1.46	1.33	1.22	1.13
0.4	2.12	1.87	1.68	1.52	1.40	1.29
0.5		2.35	2.11	1.91	1.75	1.62
0.6		2.84	2.54	2.30	2.11	1.95
0.7		3.33	2.97	2.69	2.46	2.27
0.8		3.83	3.41	3.08	2.82	2.60
1.0		4.86	4.30	3.88	3.54	3.26
1.2		5.91	5.20	4.67	4.26	3.92
1.5		7.55	6.58	5.89	5.36	4.93
2.0			8.968	7.97	7.21	6.62
2.5			11.5	10.1	9.11	8.33
3.0			14.2	12.3	11.1	10.1
3.5			17.0	14.6	13.0	11.8
4.0				17.0	15.1	13.6

# Model Select

Vortex flow meter sensor model describe as: LUGB-2-X X XX-X

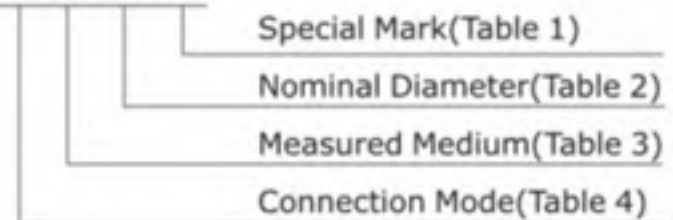


Table 1: Special Mark

Format	Common	Standard Signal Output	Intrinsically Safe Explosion-proof	On Site Display	High Temperature (350℃)	Temperature Compensation	Pressure Compensation	Temperature&Pressure Compensation
Mark No.	None	M	B	X	G	W	Y	Z

Table 2: Nominal Diameter Flange /Wafer Type

Size	15	20	25	32	40	50	65	80	100	125	150	200	250	300
Mark No.	150	200	250	320	400	500	650	800	101	125	151	201	251	301

Insertion Type

Size	100	125	150	200	250	300	350	400	500	600	700	800	900	1000	1200	1400	1600	1800	2000
Mark No.	100	125	151	201	251	301	351	401	501	601	701	801	901	102	122	142	162	182	202

Table 3: Measured Medium

Measured Medium	Liquid	Common Gas	Saturated Steam	Superheated Steam	Others
Mark No.	1	2	3	4	5

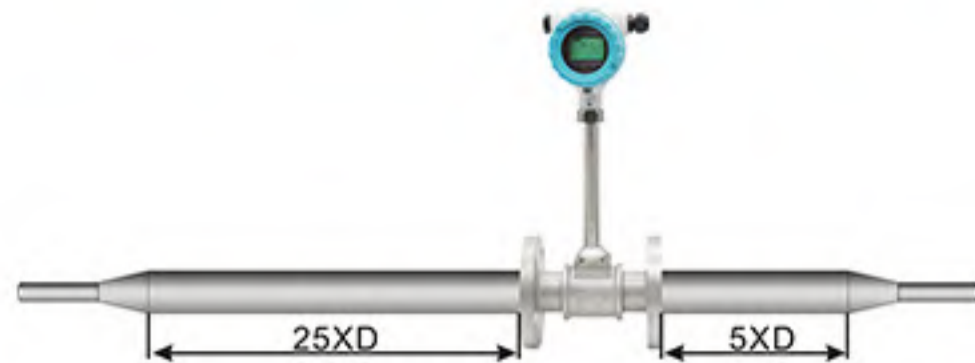
Table 4: Connection Mode

Connection Mode	Flange Connection	Wafer Connection	Insertion Type	Others
Mark No.	1	2	3	4

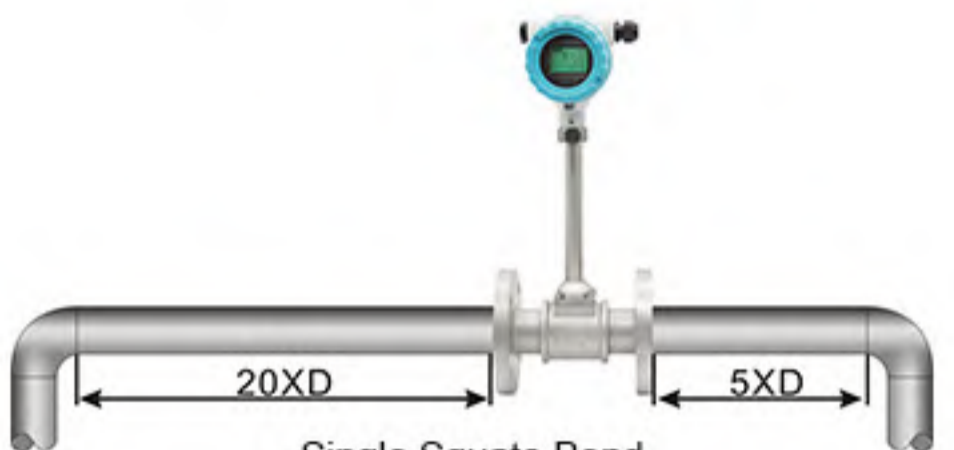
# Installation Notice



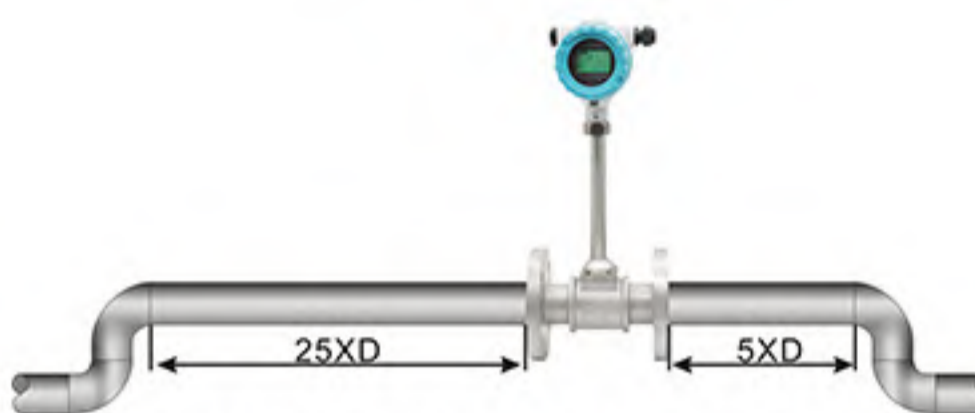
Concentric Reducers Pipeline



Concentric Expansion Pipeline



Single Square Bend



Two Square Bends At Same Plane



Two Square Bends At Different Plane



Regulating Valve, Half-open Gate Valve

## CALIBRATION



Critical Flow Nozzle Calibration Device DN15-DN200

# CERTIFICATE



Vortex Flow Meter ATEX



Vortex Flow Meter CE



More than 100 patents



# Packing Of Products



Products ready for packing



ECO Packing



Enter the finished product warehouse and wait for transportation

Products are multi-packaging, shockproof and anti-fall, ensure the safe delivery of goods to customers' hand

# Trade Show



*Rich experiences  
in exhibition*

