

Non-contacting Measurement

ULTRASONIC OPEN CHANNEL FLOWMETER

Accurate Measurement, Easy to Install





New High-tech
Enterprise



CE



ISO

Application

It is well suited for applications ranging from flow into water treatment plants, storm and sanitary sewer systems, and effluent from water resource recovery, to industrial discharge and irrigation channels.



2 YEARS WARRANTY

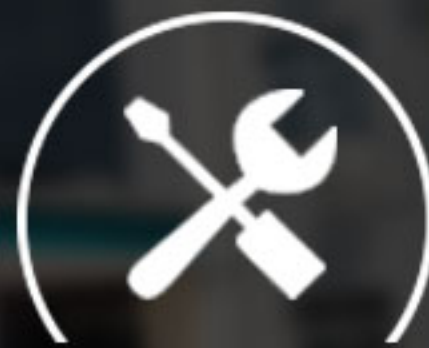
Every detail of product highlights the brand and quality



Long Service
Life



Accurate
Measurement



24/7
Sale Service

PRODUCT FEATURES

The meter includes a non-contact ultrasonic level sensor to detect the water level and then calculates the flow rate and volume using the related formula and characteristics of the channel.

Non-contacting Measurement

The cable length from the sensor to the main unit up to

1000_m



- Cost Effective, Easy Installation
- Small Blind Zone 0.2 m
- Measure Cycle 1 Second;
- Anti-interference

No.1

Large LCD Display with Backlight

Multi-variable simultaneous display is supported



Display flow rate, level, distance, temperature and accumulative flow

Resettable Flow Unit

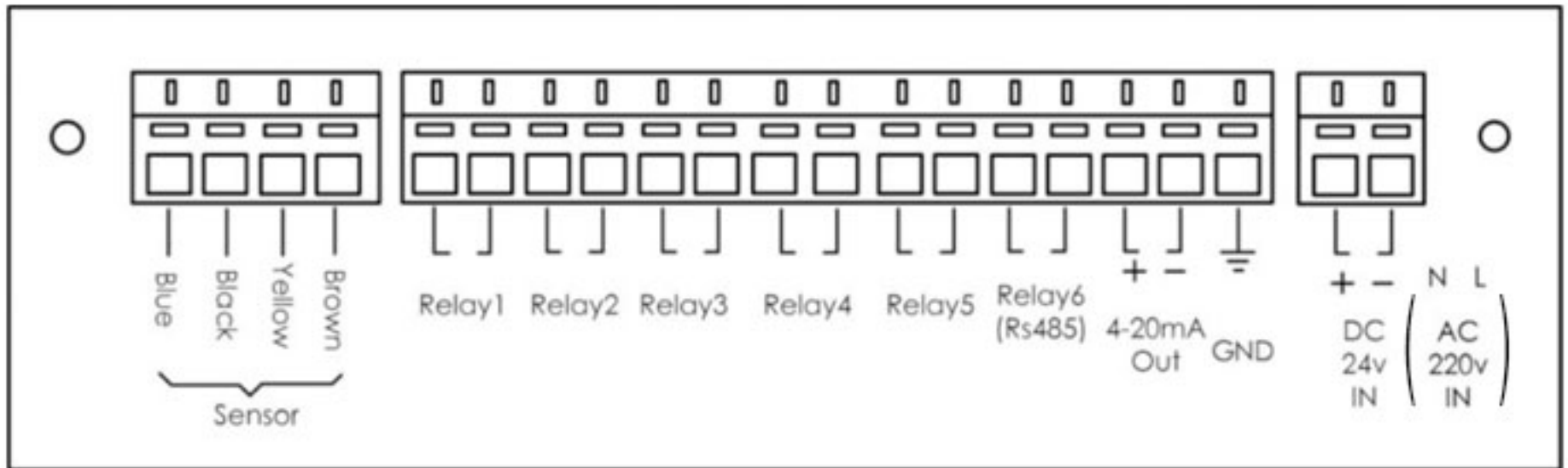
Customized Flow Full Span

Power Failure Prevention Record

NO.2

Easily connect up to most systems

Multiple Output; Easy to Operate; Overflow Alarm



Multiple Output

Standard 4-20mA output and Optional RS485 serial communication (MODBUS-RTU)

Relay Output

Standard 2 programmable relay outputs and optional up to 6 relays

Power Supply

Standard DC 24V / AC 220V

Optional DC 12V

QUESTION

What if the water in the flume overflows during the measurement?

ANSWER

With self-detection function, the meter monitor and send alerts to the system when level reach to the set point.

NO.3

Solar Powered Ultrasonic Open Channel Flow meter

Meet the requirements of remote and non-powered site applications

Storage Battery

Open channel flowmeter

GPRS module

Low Power Consumption: Can Choose 12V operating voltage Transmitter; Power Consumption only 2 watts

Optional GPRS module to realize wireless remote monitoring

NO.4

Quality Sensor, Precision Measurement

Sensor Material: Selectable PTFE, ABC or PVC

IP68
Protection
Class

Anti-corrosion
Adapt to harsh
environments

High accuracy
liquid level
change
1mm

Temperature
Compensation:
Built-in
temperature
sensor



- ✓ Focused Beam
- ✓ Anti-interference



Thread Connection G 2" or flange (DN65/DN80/etc.); Easy to Install

NO.5

Rugged IP67 ABS Enclosure

Water proof and moisture-resistant, stable and durable



Its unique features and IP67 rating enable reliable performance in challenging outdoor environments.

NO.6

Parameter Setting: 3 Press Keys / Handheld IR Remote Control(Optional)

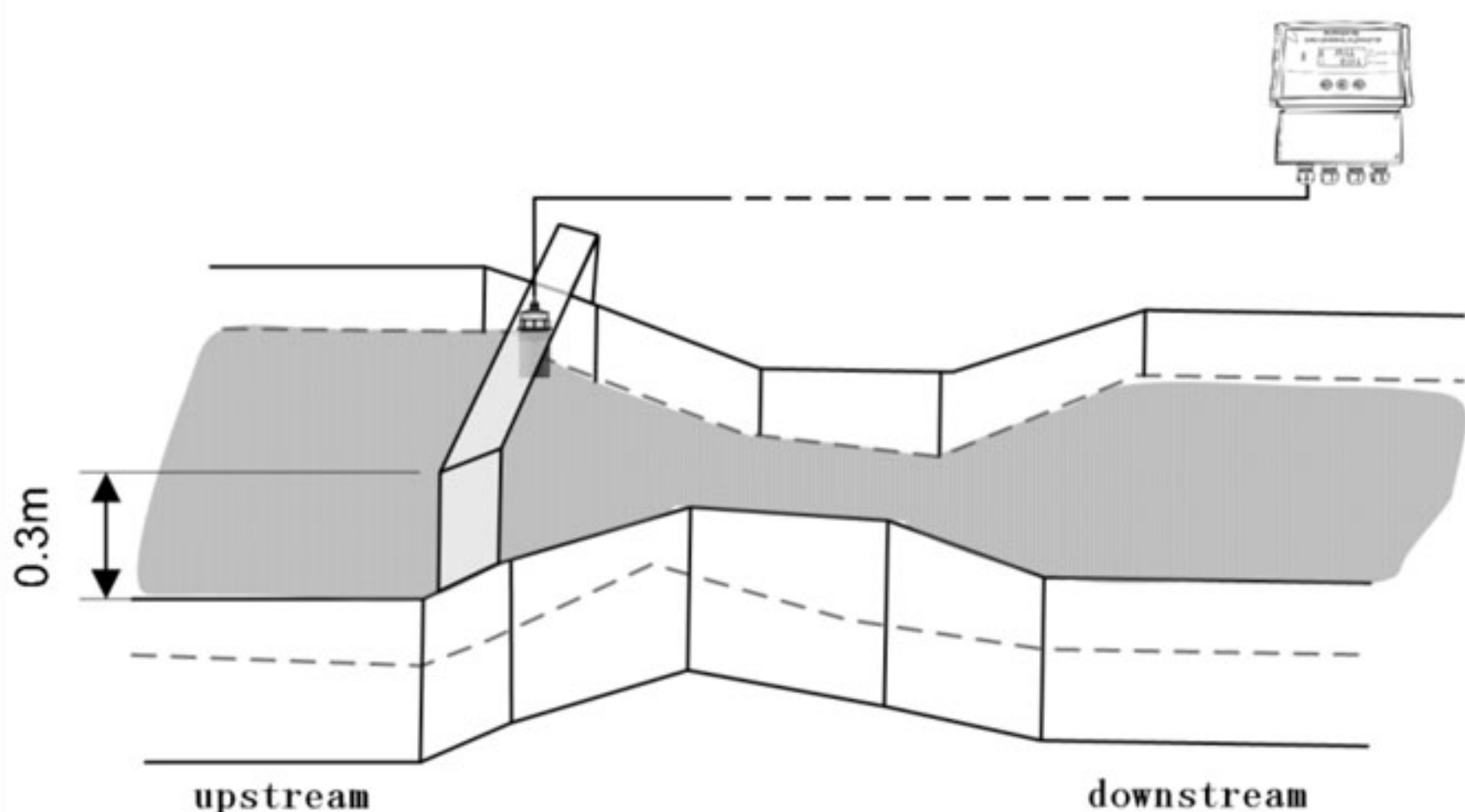
Set parameters via remote control, convenient and fast



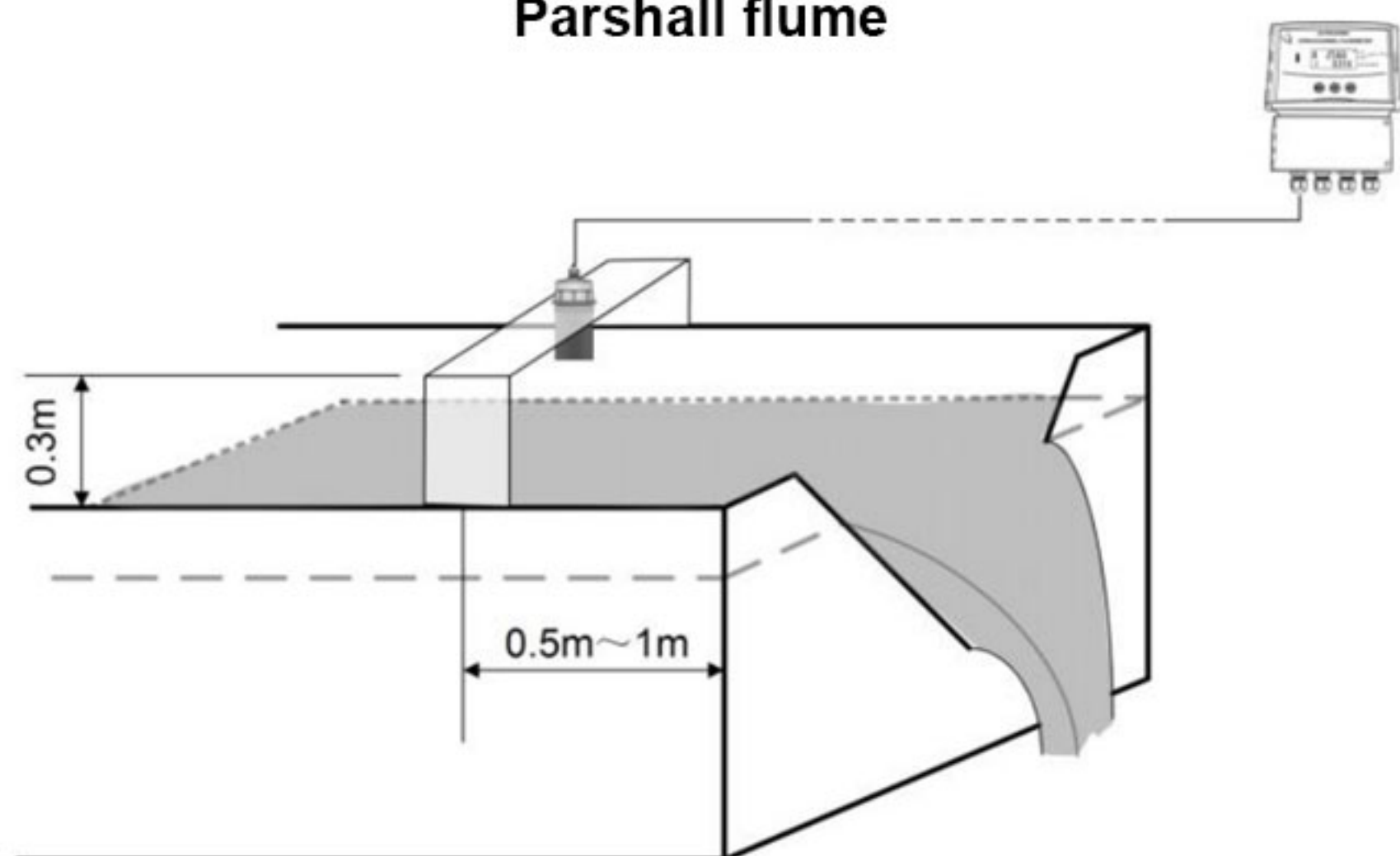
NO.7

Simple setup for flumes and weirs

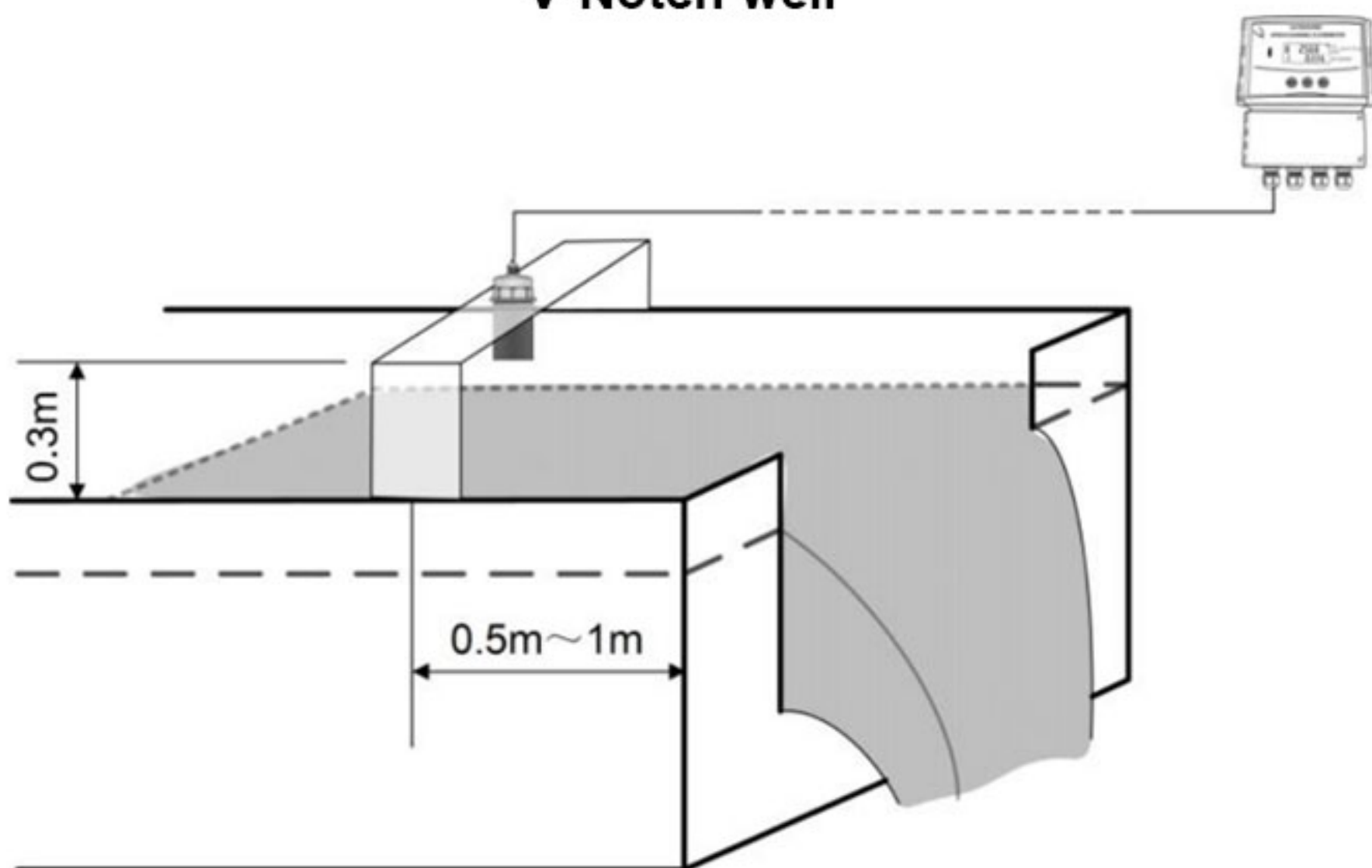
Selectable pre-programmed formulas for flumes, weirs and other geometries



Parshall flume



V-Notch weir



Rectangular weir

Except above standard flumes/weirs, it also can work with non-standard channel such as U shape Weir, Cipolletti Weir and user self-defined weir.

User Self-defined Weirs Are also Available

PRODUCT PARAMETER

Power Supply	DC24V (±5%) 0.2A; AC220V (±20%) 0.1A ;Optional DC12V
Display	Backlit LCD
Flow Rate Range	0.0000~99999L/S or m3/h
The maximum of Accumulative Flow	9999999.9 m3/h
Accuracy of Change in Level	1mm or 0.2% of full span (whichever is greater)
Resolution	1mm
Analogue Output	4-20mA, corresponding to instantaneous flow
Relays Output	Standard 2 relay outputs(Optional up to 6 relays)
Serial Communication	RS485, MODBUS-RTU standard protocol
Ambient Temperature	-40°C~70°C
Measure Cycle	1 second (selectable 2 seconds)
Parameter Setting	3 induction buttons / remote control
Cable gland	PG9 /PG11/ PG13.5
Converter Housing Material	ABS
Converter Protection Class	IP67
Sensor Level Range	0~4.0m ;other level range also available
Blind zone	0.20m
Temperature Compensation	Integral in probe
Pressure Rating	0.2MPa
Beam Angle	8° (3db)
Cable Length	10m standard (can be extended to 1000m)
Sensor Material	ABS, PVC or PTFE (optional)
Sensor Protection Class	IP68
Connection	Screw (G2) or flange (DN65/DN80/etc.)

PACKING OF PRODUCTS



Products ready for packing



ECO Packing



Enter the finished product warehouse and wait for transportation

From wrapping to packing, we take care of every process to ensure safe delivery.

ABOUT US

Company Profile



Q&T Instrument Co.,Ltd was founded in 2005 and covers an area of 69,000m². A High-tech enterprise with R&D, producing and marketing of various instruments, including the flow, level and flow testing device. ISO9001, CE and ATEX certificates etc. Products have been exported to more than 150 countries and districts, including Asia, Europe, America, Australia and Africa etc.

