

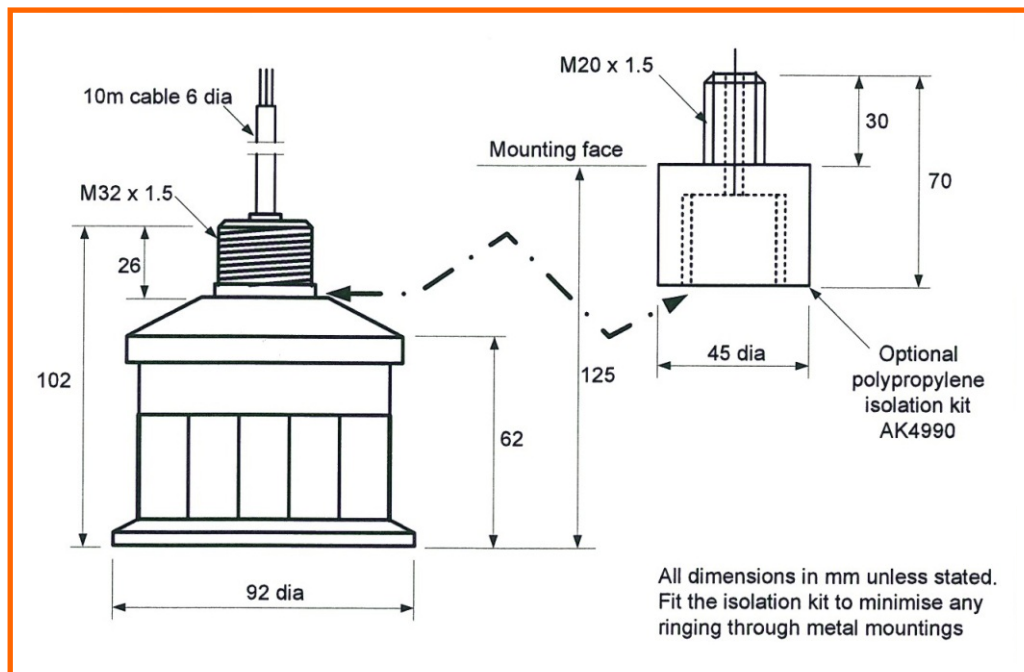
RWTK15-ATEX TRANSDUCER DATASHEET

Model number	RWTK15-ATEX
Range	10 metres
Temperature compensation	Yes
Frequency (kHz)	41.5 kHz
Beam angle at -3dB	12 degrees
Face material	PVDF
Process temperature °C **	-40° to +90°
Protection	IP68
Weight (KG)	0.6
Mounting connection	M20
Hazardous Area approval	Yes



* For flange options please contact Hycontrol.
Material to suit applications.

** -40°C to +60°C for ATEX



HYCONTROL
SILO PROTECTION SOLUTIONS