

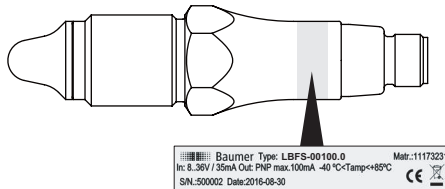
EN 50155

---

EN	Operating Instructions	3
DE	Betriebsanleitung	17
FR	Manuel de mise en service	31

---

## Type plate / Typenschild / Plaque d'identification



Type	■ Type of sensor
Matr.	■ Material number
In	■ Input voltage and power consumption
Out	■ PNP or NPN, customer-specific ■ Maximum external load
Tamb	■ Ambient temperature
S/N	■ Serial number
Date	■ Date of manufacture
	■ Do not dispose of in household waste
	■ Conformity with EU directives
	■ Approvals, type-specific

Type	■ Sensortyp
Matr.	■ Materialnummer
In	■ Eingangsspannung und Stromverbrauch
Out	■ PNP oder NPN, kundenspezifisch ■ Maximale externe Last
Tamb	■ Umgebungstemperatur
S/N	■ Seriennummer
Date	■ Herstellungsdatum
	■ Nicht im Hausmüll entsorgen
	■ Konformität mit EU-Richtlinien
	■ Zulassungen, typspezifisch

Type	■ Type de capteur
Matr.	■ Réf. mat.
In	■ Tension d'entrée et consommation électrique
Out	■ PNP ou NPN, en fonction du client ■ Charge externe maximale
Tamb	■ Température ambiante
S/N	■ Numéro de série
Date	■ Date de fabrication
	■ Ne pas jeter avec les ordures ménagères
	■ Conformité avec les directives européennes
	■ Autorisations, selon le type

**Table of contents**

Table of contents .....	3	9. Configuration .....	12
1. Safety .....	3	10. Operation .....	12
2. Construction and function .....	3	11. Cleaning, maintenance and repair.....	13
3. Symbols in warning signs.....	4	12. Disposal .....	13
4. Transport and storage .....	4	13. Accessories.....	13
5. Assembly.....	4	14. Technical data .....	13
6. Permissions.....	8	15. Factory settings and user settings .....	16
7. Electrical connection .....	9		
8. Electrical connection in explosion hazard areas .....	9		

**1. Safety**

**Intended use**

The sensor must be used solely for the level detection of liquids and solids with a dielectric constant of at least 1.5. The sensor must only be used for media against which the housing material and sensor tip are resistant.

**Staff qualification**

Only use staff who are trained for the activities described. This applies in particular to assembly, installation and explosion protection. Make sure that the staff have read and understood these instructions.

**Technical condition**

Use the sensor only when in perfect technical condition. Only use Baumer accessories. Baumer will accept no liability for other manufacturers' accessories.

**Risk of burns from hot media**

During operation the sensor housing may warm up to over 50 °C. When working with hot media provide protection against burns.

**Explosion hazard areas**

Ensure that safety requirements are complied with. Do not use equipment that would be exposed to hard impacts.

**2. Construction and function**

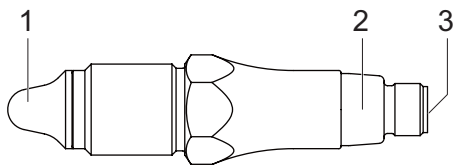


Fig. 1. Construction

- 1 Sensor tip
- 2 LED
- 3 Connection using a M12-A 4-pin connector, or a cable outlet

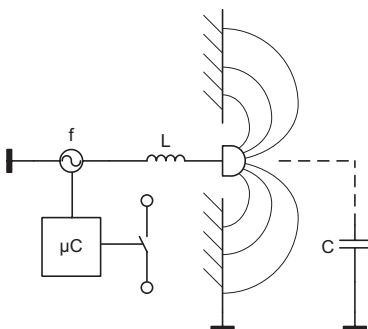



Fig. 2. Function

An electrode integrated into the sensor tip forms a capacitor with the environment. The medium determines the capacity value depending on its dielectric constant (DC values). A resonant circuit occurs together with a coil in the sensor electronics. Depending on the resonance frequency measured and the programmable trigger threshold, the switch signal is activated.

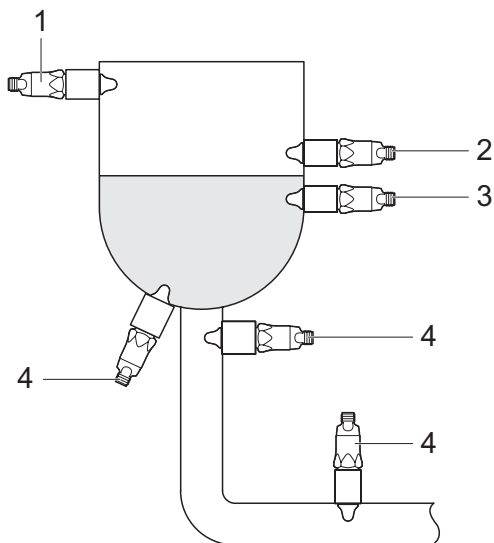
### 3. Symbols in warning signs

Symbol	Warning term	Explanation
	<b>DANGER</b>	In situations which cause death or serious injuries.
	<b>WARNING</b>	In situations which can cause death or serious injuries.
	<b>CAUTION</b>	In situations which can cause light or medium injuries.
	<b>ATTENTION</b>	For material damage

### 4. Transport and storage

- ▶ Check packaging and sensor for damage.
- ▶ In the event of damage: Do not use sensor.
- ▶ Store sensor where it will be secure against shock.
- Storage temperature: -40...+85 °C
- Relative humidity: < 98 %

### 5. Assembly

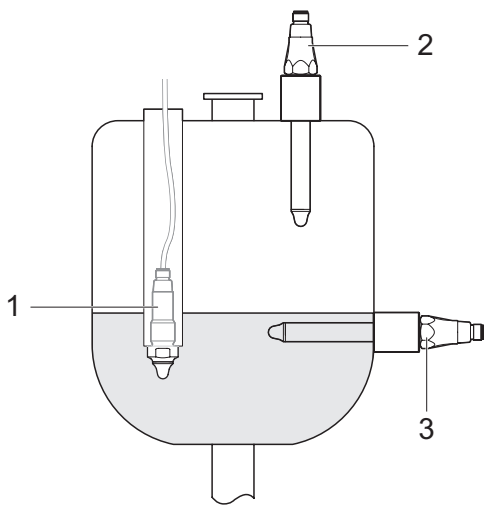


- 1 Overfill protection
- 2 Limit level, max.
- 3 Limit level, min.
- 4 Run-dry protection

The sensor can be mounted on any point in the vessel.

A sensor mounted at the top of the vessel (1) ensures against overflowing. Sensors attached further down detect a maximum (2) or minimum (3) limit level. A sensor attached at the bottom or on the outfeed pipe (4) can protect a pump against dry running.

Fig. 3. General mounting options



- 1 Limit level: Mounting with a tube (version 5)
- 2 Overfill protection (Type K, L)
- 3 Pasty or powdered media limit level (version K, L)

Dip length:

- Type K: 82 mm (fixed)
- Type L: 15...228 mm (adjustable)

The adjustable version L allows bridging across tank insulation.

In pasty or powdered media, the greater dip depth renders the sensor less susceptible to caking.

Fig. 4. Mounting of extended sensors

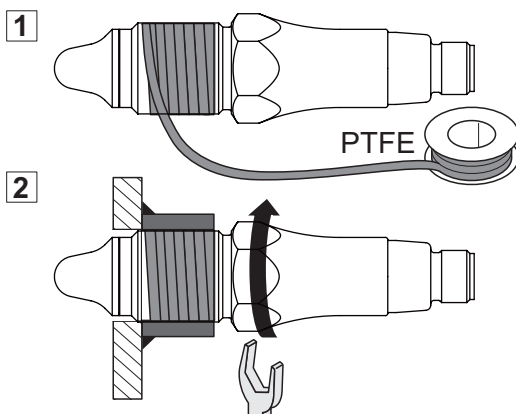
## 5.1 Installation for industrial applications



### DANGER

#### Risk of injury from hazardous medium

- ▶ Wear protective equipment for hazardous media (such as acids, alkalis).
- ▶ Empty vessel and pipelines before mounting.

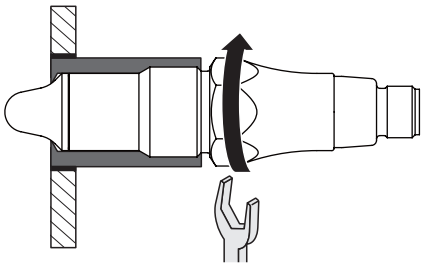


#### LBFS with the following process connections:

- G 1/2 A ISO 228-1 BSC (BCID G07)
- G 3/4 A ISO 228-1 (BCID G10)
- G 1 A ISO 228-1 (BCID G11)
- 1/2-14 NPT (BCID N02)
- 3/4-14 NPT (BCID N03)

✓ Vessel and pipelines are free of media.

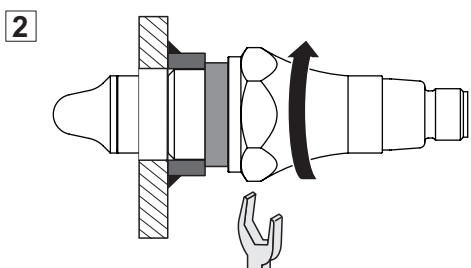
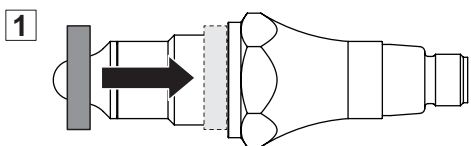
- ▶ Seal thread on sensor with Teflon tape (PTFE).
- ▶ Screw in sensor.  
Tightening torque G xx A: 30 Nm max.  
Tightening torque xx-14 NPT: 20 Nm max.

**LBFS with the following process connections:**

- G 1/2 A ISO 228-1 BSC (BCID G07) with industrial weld-in sleeve for universal use, Ø 30 x 26 (ZPW1-711, ZPW1-721)
- G 1/2 A hygienic (BCID A03) with weld-in sleeve or adapter from Baumer

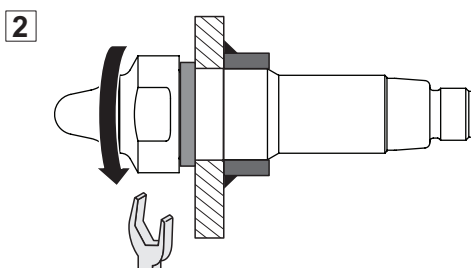
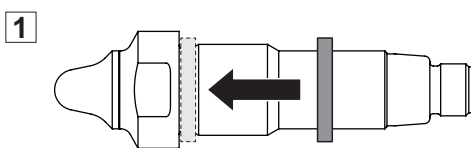
For these process connections, do not seal with Teflon tape (PTFE) or elastomer.

- ✓ Vessel and pipelines are free of media.
- ✓ Adapter or weld-in sleeve are mounted free of dead space.
- ▶ Screw in sensor.  
Tightening torque: 15...20 Nm

**LBFS with the following process connections:**

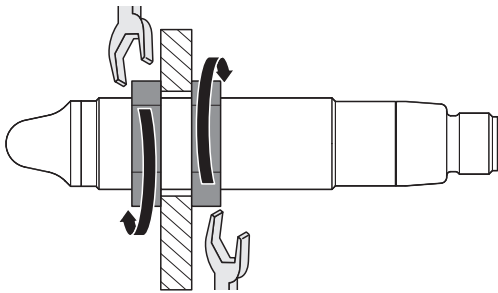
- G 1/2 A DIN 3852-E (BCID G51)

- ✓ Vessel and pipelines are free of media.
- ▶ Push the sealing ring on.
- ▶ Screw in sensor.  
Tightening torque: 15...20 Nm

**LBFS with the following process connections:**

- G 1/2 A ISO 228-1 for internal installation (BCID T10)

- ✓ Vessel and pipelines are free of media.
- ▶ Push the sealing ring on.
- ▶ Screw in sensor.  
Tightening torque: 15...20 Nm



**LBFS with the following process connections:**

- M18x1 ISO 965 (BCID M11)

- ▶ Tighten the nuts on both sides.  
Tightening torque: 15...20 Nm

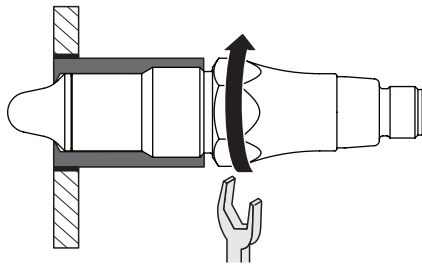
**5.2 Installation for hygiene applications**



**WARNING**

**Danger to health from contaminated medium**

- ▶ Only use weld-in sleeves or adapters from Baumer.
- ▶ Do not seal process connections with Teflon tape (PTFE) or elastomer.
- ▶ Welding work must only be carried out by welders trained in the area of hygiene.

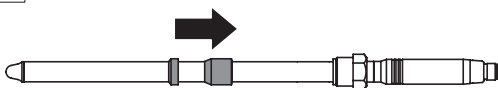


**LBFS with the following process connection:**

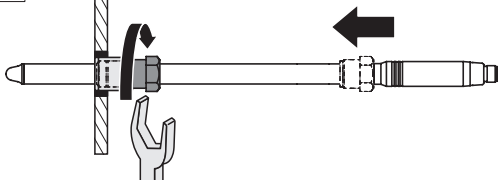
- G 1/2 A hygienic (BCID A03)

- ✓ The weld-in sleeve or adapter must be hygienically mounted and internally flush.
- ✓ Weld seams are smoothed out to  $Ra < 0.8 \mu m$ .
- ✓ Leakage hole points downwards.
- ▶ Screw in sensor.  
Tightening torque: 10... 15 Nm

1



2

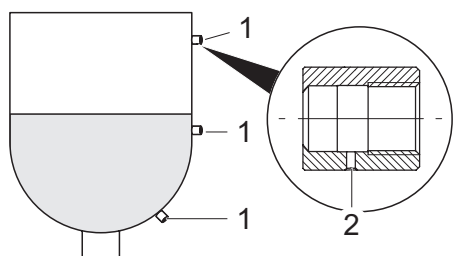


**LBFS with the following process connection:**

- G 1/2 A hygienic with adjustable connection (BCID A03)

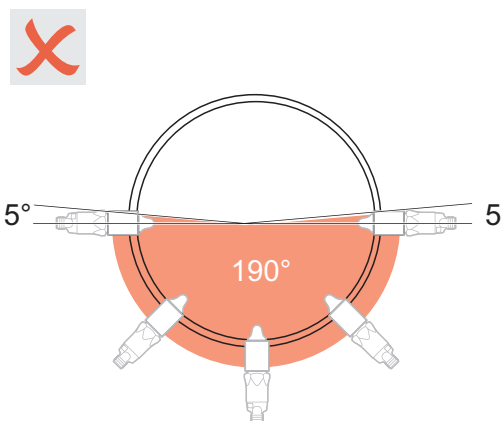
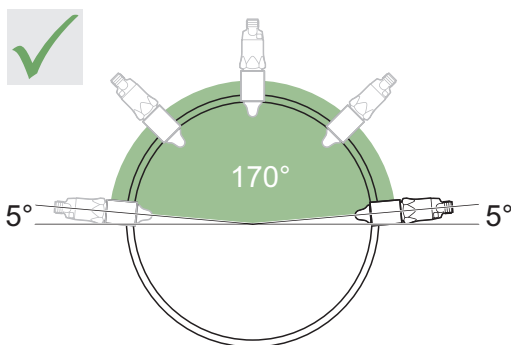
- ✓ The weld-in sleeve or adapter must be hygienically mounted and internally flush.
- ✓ Weld seams are smoothed out to  $Ra < 0.8 \mu m$ .
- ✓ Leakage hole points downwards.
- ✓ The clamping rings must be in faultless condition (if they are deformed, replace both clamping rings).
- ▶ Push the wide clamping ring on to the guide tube.
- ▶ Push the narrow clamping ring on to the guide tube.
- ▶ Position the sensor.
- ▶ Adjust the dip depth.  
Projecting length: 15...228 mm
- ▶ Tighten the screw-in pin.  
Tightening torque: 22...25 Nm

### Example of mounting with weld-in sleeve ZPW3-321



- 1 ZPW3-321
- 2 Leakage hole

### Example of mounting with weld-in sleeve ZPW3-326 or ZPW3-327



## 6. Approvals



The EHEDG certificate is only valid in connection with the appropriate installation parts.



The 3-A Sanitary Standard requirements are only met with the appropriate installation parts. These are marked with the 3-A logo.



Approved for explosion hazard areas when installed as specified. For barriers, Baumer recommends: PROFSI3-B25100-ALG-LS.



Approved by Underwriter Laboratories (UL) for use in the USA and Canada as an industrial control device.



Certified by DNV GL for ships and offshore platforms.



WHG certified for leakage and overflow protection. All documentation must be available at the place of use and can be found on the product page on [www.baumer.com](http://www.baumer.com)



Approved as an electronic device for railway applications.

For more information about approvals and certification, please see the product page on [www.baumer.com](http://www.baumer.com).



## 7. Electrical connection

- ✓ A voltage supply of 12 V to 30 V DC is provided.
- ▶ Switch off supply voltage.
- ▶ Connect sensor in accordance with the pin assignment.

### Terminal assignment



Housing dimensions available only for a plug connector in stainless steel

Output type	Equivalent circuit	Function	M12-A 4-pin	Cable outlet
PNP		+ Vs	1	brown
		SW1 (NO)	4	black
		SW1 (NC)	2	white
		GND (0 V)	3	blue
NPN		+ Vs	1	brown
		SW1 (NO)	4	black
		SW1 (NC)	2	white
		GND (0 V)	3	blue

## 8. Electrical connection in explosion hazard areas

Depending on the variant, the LBFS is approved for most explosion hazard areas.



### DANGER

#### Risk of fatal accident due to a wrongly connected sensor

- ▶ In explosive gas atmospheres of zone 0 or 1, use Baumer isolation barriers or Zener barriers.
- ▶ In explosive dust atmospheres, use insulated cable to IP67.
- ▶ Allow only persons trained in explosion protection to perform the installation.

### 8.1 Explosive gas atmospheres zone 0 and 1

The LBFS can be used in explosion hazard areas of zone 0 or zone 1. Sensors with PNP can use Baumer isolation barriers which are easy to install. Sensors with NPN must use Zener barriers.

Approval for LBFS-1xxxx.x: ATEX II 1G Ex ia IIC T4/T5

Approval for LBFS-4xxxx.x: ATEX II 1G Ex ia IIC T4/T5 and ATEX II 1D Ex ta IIIC T100 °C Da

**LBFS-1xxx1.x (PNP):**

- ▶ Use PROFSI3-B25100-ALG-LS isolation barriers for the connection.

**LBFS-1xxx2.x (NPN):**

- ▶ Use Zener barriers for the connection.

**LBFS-4xxxx.x and additional dust atmospheres:**

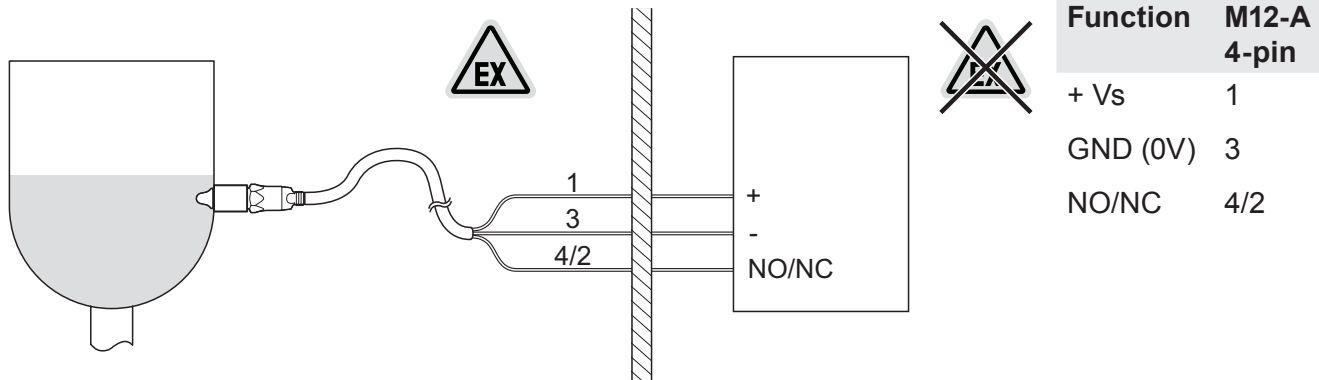
- ▶ Use insulated cable to IP67.
- ▶ Secure cables with external strain relief at a distance 5 centimeters from the sensor.

**All LBFS in zone 0 and zone 1**

- ▶ Comply with the following temperatures, connection values and circuit diagram.

**ATEX II 1 G Ex ia IIC T4/T5**

Highest values for selection of barriers	Ui: 30 V DC
	li: 100 mA
	Pi: 0,75 W
Internal capacitance:	Ci: 43 nF <sup>1)</sup>
Internal inductance:	Li: 10 µH <sup>2)</sup>
Temperature class	
■ Standard version	T4: -40 < Tamb < 85 °C
	T5: -40 < Tamb < 74 °C,
■ Cable version	T5: -25 < Tamb < 70 °C



PNP output: PROFSI3-B25100-ALG-LS

NPN output: Zener barrier

- 1) For cable version LBFS-x2xxx.x add 0.17 nF/meter to Ci for cable lengths above 5 meter.  
For hanging version LBFS-xx52x.x add 0.20 nF/meter to Ci for cable lengths above 1.5 meter.
- 2) For cable version LBFS-x2xxx.x add 0.27 µH/meter to Li for cable lengths above 5 meter.  
For hanging version LBFS-xx52x.x add 1.13 µH/meter to Li for cable lengths above 1.5 meter.

**8.2 Explosive dust atmospheres zones 20, 21 and 22**

The LBFS can be used in explosion hazard areas of zone 20, 21 and 22.

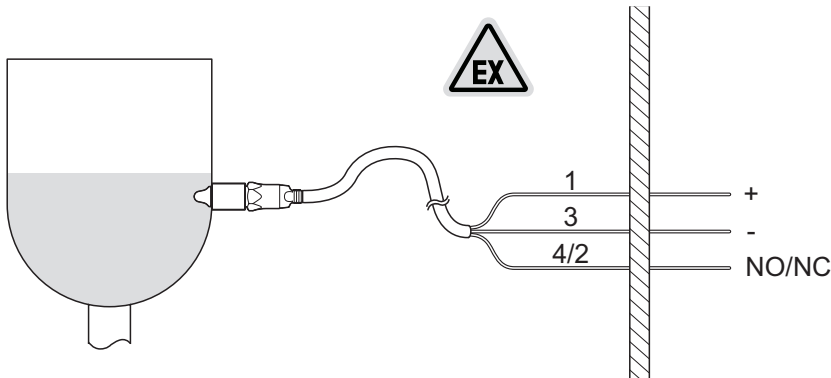
Approval for LBFS-2xxxx.x: ATEX II 1D Ex ta IIIC T100 °C Da

**LBFS-2xxxx.x:**

- ▶ Use insulated cable to IP67.
- ▶ Secure cables with external strain relief at a distance 5 centimeters from the sensor.
- ▶ Comply with the following temperatures, connection values and circuit diagram.

**ATEX II 1 D Ex ta IIIC T100 °C Da**

Supply range	Un: 30 V DC max. In: 100 mA max.
Temperature class	T100 °C:
■ Standard version	-40 < Tamb < 85 °C
■ Cable version	-25 < Tamb < 70 °C
Surface temperature	100 °C max.
Protection class for cable accessories	IP67



Function	M12-A 4 pin
+ Vs	1
GND (0V)	3
NO/NC	4/2

### 8.3 Explosive gas atmospheres zone 2

The LBFS can be used in explosion hazard areas of zone 2.  
Approval for LBFS-3xxxx.x: ATEX II 3G Ex ec IIC T4/T5

#### LBFS-3xxxx.x:

- ▶ Comply with the following temperatures, connection values and circuit diagram

#### ATEX II 3 G Ex ec IIC T4/T5

Supply range

Un: 30 V DC max.  
In: 100 mA max.

Temperature class

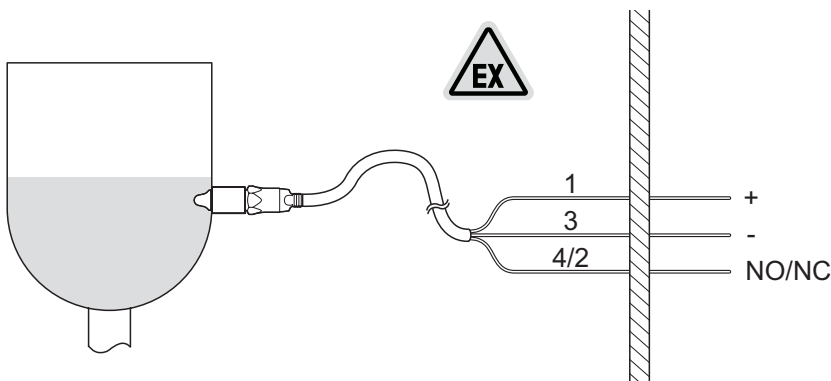
- Standard version

T4:  $-40 < T_{amb} < 85 \text{ °C}$

T5:  $-40 < T_{amb} < 74 \text{ °C}$

- Cable version

T5:  $-25 < T_{amb} < 70 \text{ °C}$

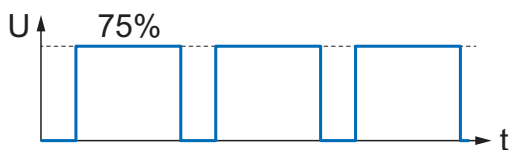
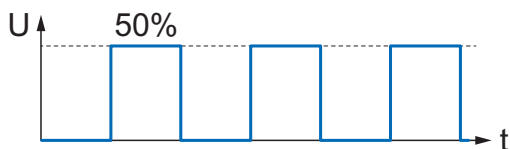
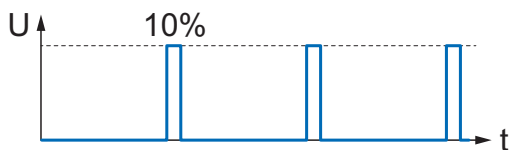


Function	M12-A 4 pin
+ Vs	1
GND (0V)	3
NO/NC	4/2

## 9. Configuration

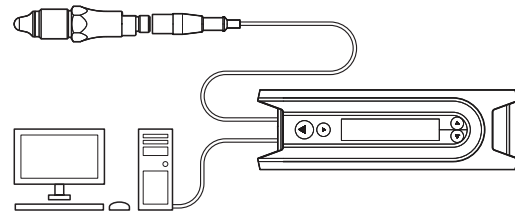
The sensor can be configured with the FlexProgrammer. This allows switching points and damping values to be selected as required. In addition pulse width modulation can be specified for the signal.

### Examples for pulse width modulation



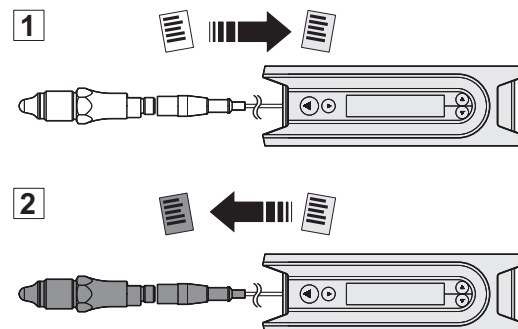
### Configuring with FlexProgrammer and PC

- ▶ Connect FlexProgrammer to sensor.
- ▶ Connect FlexProgrammer to PC and set parameters (see FlexProgrammer instructions).



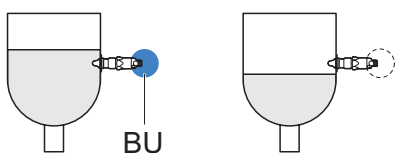
### Copying configuration with FlexProgrammer

- ▶ Copy the configuration of one sensor to another sensor using FlexProgrammer (see FlexProgrammer instructions)



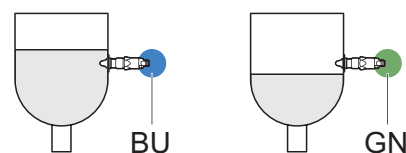
## 10. Operation

### Standard operation with factory settings



- BU = blue: Switched output, active
- LED does not light up: Switched output, inactive

### LED indication for "Power-On"



- BU = blue: Switched output, active
- GN = green: Switched output, inactive

A green LED can be activated indicating „Power-On“ by using the FlexProgrammer.

Application-specific settings: see chapter “15. Factory settings and user settings” on page 16.

## 11. Cleaning, maintenance and repair

### Cleaning

- ▶ Clean, disinfect or sterilize sensor as needed (CIP/SIP).

### Maintenance

Regular maintenance is not required.

### Repair

- Do not repair the sensor yourself.
- ▶ Send damaged sensor to Baumer.

## 12. Disposal



- ▶ Do not dispose of in household waste.
- ▶ Separate materials and dispose of in compliance with nationally applicable regulations.

## 13. Accessories

For adapter and other accessories see [www.baumer.com](http://www.baumer.com).

## 14. Technical data

### Environmental conditions

Operating temperature range	■ -40...+85 °C
Storage temperature range	■ -40...+85 °C
Ambient humidity	■ < 98 % RH, condensing
Protection class	■ IP67 ■ IP69K (with appropriate cable)
Oscillations (sinusoidal) (EN 60068-2-6)	■ 1.6 mm p-p (2...25 Hz), 4 g (25...100 Hz), 1 octave / min.

### Power supply

Voltage supply range	■ 12...30 V DC
Reverse polarity protection	■ yes
Current consumption (without load)	■ 25 mA typ., 50 mA max.
Power-up time	■ < 2 s

### Features

Repeatability	■ ± 1 mm
Hysteresis	■ ± 1 mm
Response time	■ 0.1 s
Damping	■ 0.0...10.0 s (configurable)

### Output signal

Output type	■ PNP ■ NPN
Current load	■ 20 mA max.
Short circuit protection	■ yes
Voltage drop	■ PNP: (+Vs -1.5 V) ± 0.5 V, Rload = 10 kΩ ■ NPN: (+1.5 V) ± 0.5 V, Rload = 10 kΩ
Leakage current	■ ± 100 µA max.
Switching logic	■ Normally open (NO), active low ■ Normally closed (NC), high enabled

### Cable version

Operating temperature range	■ -25...+70 °C (if cable is not moved) ■ -5...+70 °C (if cable is moved)
Bending radius min.	■ r ≥ 10 mm

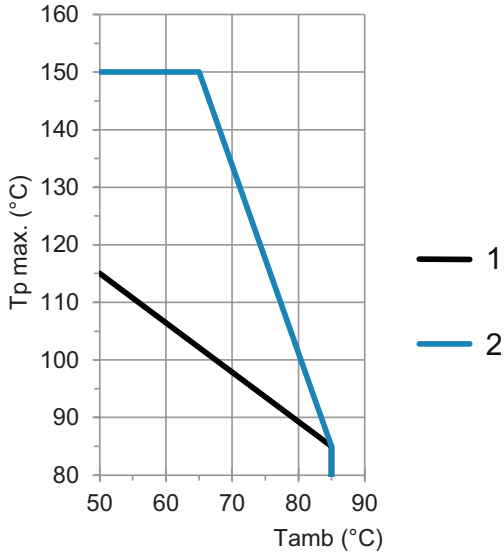
Process conditions for ambient temperatures < 50 °C						
Type	Process connection	BCID	Process temperature continuous	Process pressure	Process temperature t < 1 h	Process pressure t < 1 h
			[°C]	[bar]	[°C]	[bar]
			Tamb < 50 °C		Tamb < 50 °C	
LBFS-xx1xx.x	G 1/2 A ISO 228-1 BSC	G07	-40...115	-1...100	135	-1...100
LBFS-xxGxx.x	G 1/2 A ISO 228-1 BSC with cooling neck <sup>1)</sup>	G07	-40...150	-1...100	N/A	N/A
LBFS-xxAxx.x	G 1/2 A DIN 3852-E, NBR seal	G51	-40...115	-1...100	135	-1...100
LBFS-xxBxx.x	G 1/2 A DIN 3852-E, FKM seal	G51	-40...115	-1...100	135	-1...100
LBFS-xx4xx.x	G1/2 A hygienic	A03	-40...115	-1...10	135	-1...5
LBFS-xxKxx.x	G1/2 A hygienic, length 82 mm	A03	-40...115	-1...100	135	-1...100
LBFS-xxLx.x	G1/2 A hygienic, adjustable connection	A03	-40...200	-1...5	N/A	N/A
LBFS-xx5xx.x	G 1/2 A ISO 228-1 for internal installation	T10	-40...85	-1...100	N/A	N/A
LBFS-xx2xx.x	G 3/4 A ISO 228-1	G10	-40...115	-1...100	135	-1...100
LBFS-xx3xx.x	G 1 A ISO 228-1	G11	-40...115	-1...100	135	-1...100
LBFS-xxNxx.x	1/2-14 NPT	N02	-40...115	-1...100	135	-1...100
LBFS-xxMxx.x	1/2-14 NPT with cooling neck	N02	-40...150	-1...100	N/A	N/A
LBFS-xx6xx.x	3/4-14 NPT	N03	-40...115	-1...100	135	-1...100
LBFS-xx7xx.x	M18x1 ISO 965	M11	-40...115	N/A	N/A	N/A
LBFS-xxExx.x	G 1/2 A DIN 3852-E, FKM seal, with cooling neck	G51	-40...150	-1...100	N/A	N/A

<sup>1)</sup> Not applicable for mounting with ZPW1-7x1

The temperature specifications apply to a maximum dip depth of the sensor tip into the process area of 20 mm.

**Process conditions as a function of the ambient temperature**

**Type 1, 2, 3, 4, 6, 7, A, B, E, G, K, M, N**



- 1 without cooling neck
- 2 with cooling neck (version E, G, M)

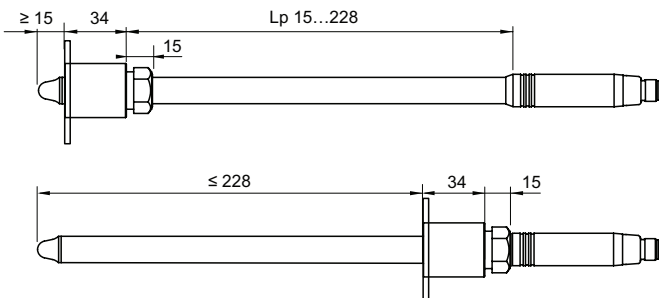
Tamb Ambient temperature  
Tp Process temperature

**Version L (adjustable connection)**

Tp max. (°C)	Lp (mm)						
	200	25	35	50	65	90	145
190	20	35	45	65	90	140	
180	20	30	45	60	85	140	
170	20	25	40	55	85	135	
160	25	35	55	80	130		
150	20	25	50	75	130		
140	20	30	45	75	125		
130	25	45	70	120			
120	20	40	65	115			
110	20	25	60	110			
100	30	55	105				
90	25	50	100				
80	20	45	95				
70	35	85					
60	35	65					
	35	40	45	50	55	60	65
	Tamb (°C)						

- 1 Range without restrictions

Tamb Ambient temperature  
Tp Process temperature  
Lp min. projecting length:



Lp min. projecting length:

## 15. Factory settings and user settings

Sensor parameter		Factory setting	User setting
<b>SW1 (NO)</b>	Switch window, min.	■ 0%	■
	Switch window, max.	■ 75.3%	■
	Switch window hysteresis	■ 2.4%	■
	Damping	■ 0.1 s	■



## Inhaltsverzeichnis

Inhaltsverzeichnis .....	17	9. Konfiguration .....	26
1. Sicherheit .....	17	10. Betrieb .....	26
2. Aufbau und Funktion .....	17	11. Reinigung, Wartung und Reparatur.....	27
3. Symbole in Warnhinweisen .....	18	12. Entsorgung .....	27
4. Transport und Lagerung .....	18	13. Zubehör .....	27
5. Montage .....	18	14. Technische Daten.....	27
6. Zulassungen.....	22	15. Werkseinstellungen und	
7. Elektrischer Anschluss .....	23	Benutzereinstellungen.....	30
8. Elektrischer Anschluss in			
explosionsgefährdeten Bereichen .....	23		

## 1. Sicherheit

### Bestimmungsgemässe Verwendung

Der Sensor darf ausschliesslich zur Füllstandserkennung von Flüssigkeiten und Feststoffen mit einer Dielektrizitätskonstante von mindestens 1,5 verwendet werden.

Der Sensor darf nur für Medien eingesetzt werden, gegen die das Gehäusematerial und die Sensorspitze resistent sind.

### Personalqualifikation

Nur Personal einsetzen, das für die beschriebenen Tätigkeiten geschult ist. Dies gilt insbesondere für Montage, Installation und Explosionsschutz. Sicherstellen, dass das Personal diese Anleitung gelesen und verstanden hat.

### Technischer Zustand

Sensor nur in einwandfreiem technischen Zustand verwenden. Nur Zubehör von Baumer verwenden. Für Zubehör anderer Hersteller übernimmt Baumer keine Haftung.

### Verbrennungsgefahr bei heissen Medien

Das Gehäuse des Sensors kann sich im Betrieb auf über 50 °C erwärmen. Bei heissen Medien für Verbrennungsschutz sorgen.

### Explosionsgefährdeter Bereich

Sicherstellen, dass sicherheitstechnische Auflagen eingehalten werden. Geräte, die harten Stössen ausgesetzt wurden, nicht verwenden.

## 2. Aufbau und Funktion

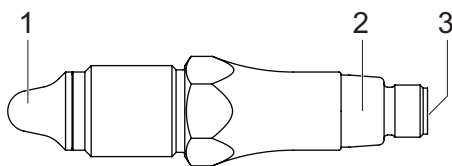


Abb. 1. Aufbau

- 1 Sensorspitze
- 2 LED
- 3 Anschluss mit Stecker M12-A, 4-Pin oder Kabelabgang

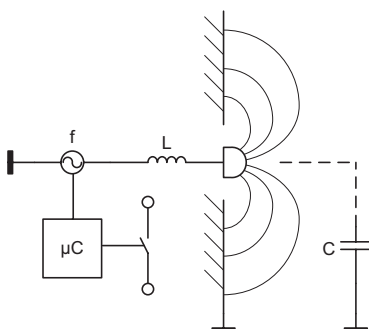



Abb. 2. Funktion

Eine in die Sensorspitze integrierte Elektrode bildet zusammen mit der Umgebung einen Kondensator. Das Medium bestimmt abhängig von seiner Dielektrizitätskonstanten (DK-Wert) den Kapazitätswert. Zusammen mit einer Spule in der Sensorelektronik entsteht ein Resonanzkreis. Abhängig von der gemessenen Resonanzfrequenz und den programmierbaren Triggerschwellen wird das Schaltsignal angesteuert.

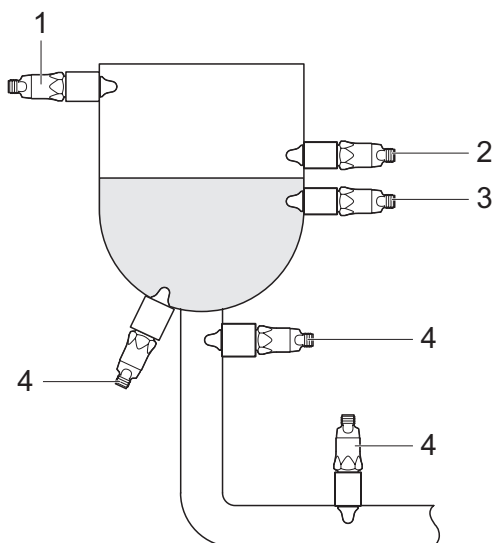
### 3. Symbole in Warnhinweisen

Symbol	Warnwort	Erklärung
	<b>GEFAHR</b>	Bei Situationen, die zum Tod oder zu schweren Verletzungen führen.
	<b>WARNUNG</b>	Bei Situationen, die zum Tod oder zu schweren Verletzungen führen können.
	<b>VORSICHT</b>	Bei Situationen, die zu leichten oder mittelschweren Verletzungen führen können.
	<b>ACHTUNG</b>	Bei Sachschäden

### 4. Transport und Lagerung

- ▶ Verpackung und Sensor auf Beschädigungen prüfen.
- ▶ Bei Beschädigung: Sensor nicht verwenden.
- ▶ Sensor stossicher lagern.  
 Lagertemperatur:  $-40\dots+85\text{ °C}$   
 Relative Luftfeuchtigkeit:  $< 98\%$

### 5. Montage

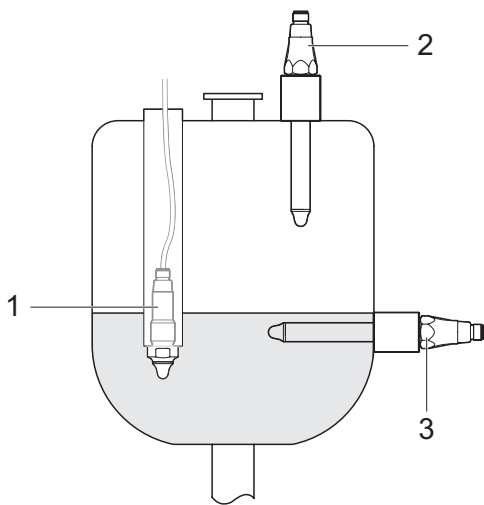


- 1 Überfüllsicherung
- 2 Grenzstand max.
- 3 Grenzstand min.
- 4 Trockenlaufschutz

Der Sensor kann in jeder beliebigen Lage am Behälter montiert werden.

Ein oben am Behälter montierter Sensor (1) sichert gegen Überfüllung. Weiter unten angebrachte Sensoren erkennen einen maximalen (2) oder minimalen (3) Grenzstand. Ein unten oder am Auslaufrohr angebrachter Sensor (4) kann eine Pumpe vor Trockenlauf schützen.

Abb. 3. Generelle Einbaumöglichkeiten



- 1 Grenzstand: Einbau mit Rohr (Version 5)
- 2 Überfüllsicherung (Version K, L)
- 3 Pastöse oder pulverförmige Medien Grenzstand (Version K, L)

Eintauchlänge:

- Version K: 82 mm (fix)
- Version L: 15...228 mm (verschiebbar)

Mit der verschiebbaren Version L kann eine Tankisolierung überbrückt werden.

Bei pastösen oder pulverförmigen Medien wird der Sensor durch eine grössere Eintauchtiefe unempfindlicher gegen Anbackungen.

Abb. 4. Einbau verlängerter Sensoren

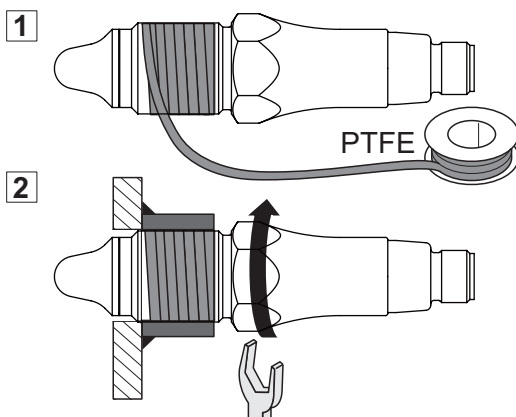
## 5.1 Montage bei Industrieanwendungen



### GEFAHR

#### Verletzungsgefahr durch gefährliches Medium

- ▶ Bei gefährlichen Medien (z. B. Säuren, Laugen) Schutzausrüstung tragen.
- ▶ Behälter und Rohrleitungen vor der Montage leeren.



#### LBFS mit folgenden Prozessanschlüssen:

- G 1/2 A ISO 228-1 BSC (BCID G07)
- G 3/4 A ISO 228-1 (BCID G10)
- G 1 A ISO 228-1 (BCID G11)
- 1/2-14 NPT (BCID N02)
- 3/4-14 NPT (BCID N03)

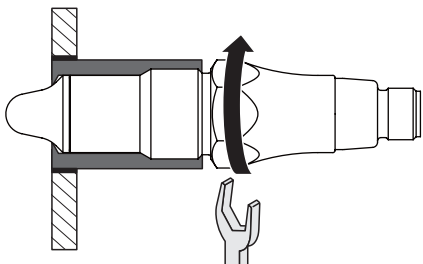
✓ Behälter und Rohrleitungen sind medienfrei.

▶ Gewinde am Sensor mit Teflonband (PTFE) abdichten.

▶ Sensor einschrauben.

Anzugsmoment G xx A: 30 Nm max.

Anzugsmoment xx-14 NPT: 20 Nm max.

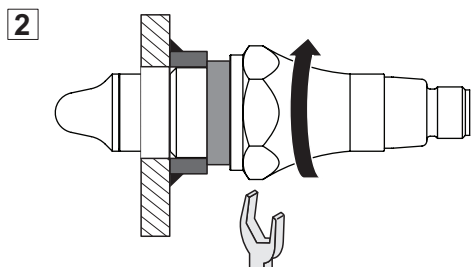
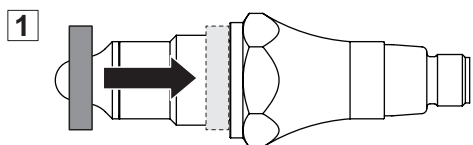


### LBFS mit folgenden Prozessanschlüssen:

- G 1/2 A ISO 228-1 BSC (BCID G07) mit industrieller Einschweissmuffe für Universaleinsatz Ø 30 x 26 (ZPW1-711, ZPW1-721)
- G 1/2 A hygienegerecht (BCID A03) mit Einschweissmuffe oder Adapter von Baumer

Bei diesen Prozessanschlüssen wird nicht mit Teflonband (PTFE) oder Elastomer abgedichtet.

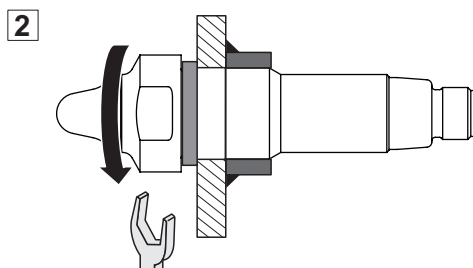
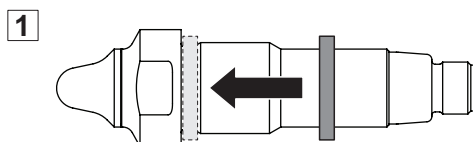
- ✓ Behälter und Rohrleitungen sind medienfrei.
- ✓ Adapter oder Einschweissmuffe sind tottraumfrei montiert.
- ▶ Sensor einschrauben.  
Anzugsmoment: 15...20 Nm



### LBFS mit folgenden Prozessanschlüssen:

- G 1/2 A DIN 3852-E (BCID G51)

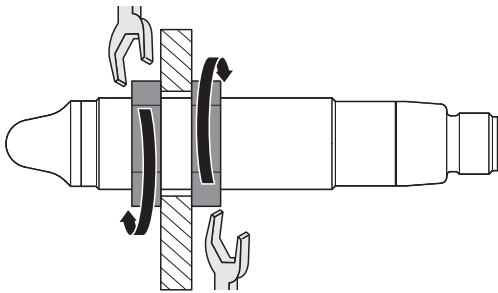
- ✓ Behälter und Rohrleitungen sind medienfrei.
- ▶ Dichtring aufchieben.
- ▶ Sensor einschrauben.  
Anzugsmoment: 15...20 Nm



### LBFS mit folgenden Prozessanschlüssen:

- G 1/2 A ISO 228-1 für Innenmontage (BCID T10)

- ✓ Behälter und Rohrleitungen sind medienfrei.
- ▶ Dichtring aufchieben.
- ▶ Sensor einschrauben.  
Anzugsmoment: 15...20 Nm



**LBFS mit folgenden Prozessanschlüssen:**

- M18x1 ISO 965 (BCID M11)
- ▶ Muttern beidseitig anziehen.  
Anzugsmoment: 15...20 Nm

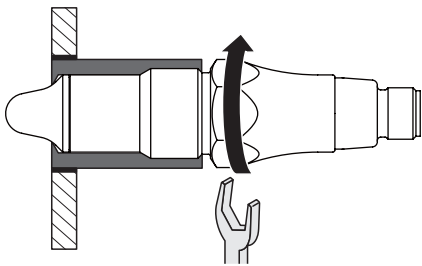
**5.2 Montage bei Hygieneanwendungen**



**WARNUNG**

**Gesundheitsgefährdung durch verunreinigtes Medium**

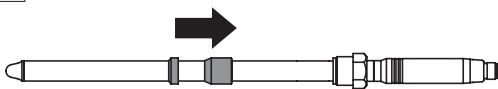
- ▶ Nur Einschweissmuffen oder Adapter von Baumer verwenden.
- ▶ Prozessanschluss nicht mit Teflonband (PTFE) oder Elastomer abdichten.
- ▶ Schweißarbeiten nur von im Hygienebereich geschulten Schweißern durchführen lassen.



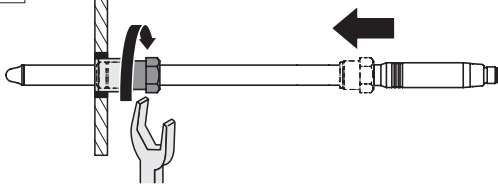
**LBFS mit folgendem Prozessanschluss:**

- G 1/2 A hygienerecht (BCID A03)
- ✓ Einschweissmuffe oder Adapter ist hygienerecht montiert und innen bündig.
- ✓ Schweißnähte sind auf Ra < 0,8 µm geglättet.
- ✓ Leckagebohrung zeigt nach unten.
- ▶ Sensor einschrauben.  
Anzugsmoment: 10 ... 15 Nm

1



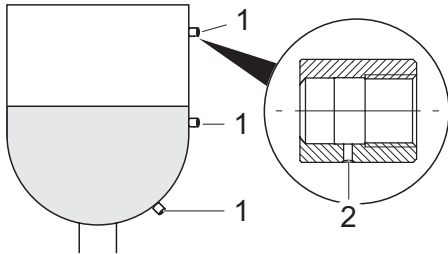
2



**LBFS mit folgendem Prozessanschluss:**

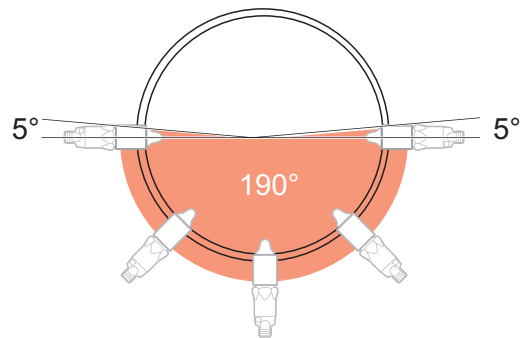
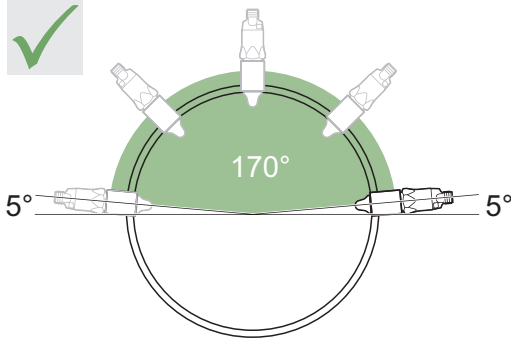
- G 1/2 A hygienerecht mit verschiebbarem Anschluss (BCID A03)
- ✓ Einschweissmuffe oder Adapter ist hygienerecht montiert und innen bündig.
- ✓ Schweißnähte sind auf Ra < 0,8 µm geglättet.
- ✓ Leckagebohrung zeigt nach unten.
- ✓ Klemmringe sind in einwandfreiem Zustand (bei Verformung beide Klemmringe ersetzen).
- ▶ Breiten Klemmring auf das Führungsrohr schieben.
- ▶ Schmalen Klemmring auf das Führungsrohr schieben.
- ▶ Sensor positionieren.
- ▶ Eintauchtiefe einstellen.  
Überstehende Länge: 15...228 mm
- ▶ Einschraubzapfen festschrauben.  
Anzugsmoment: 22...25 Nm

### Montagebeispiel mit Einschweissmuffe ZPW3-321



- 1 ZPW3-321
- 2 Leckagebohrung

### Montagebeispiel mit Einschweissmuffe ZPW3-326 oder ZPW3-327



## 6. Zulassungen



Das EHEDG-Zerifikat ist nur gültig in Verbindung mit den entsprechenden Einbauteilen.



Die Anforderungen gemäss "3-A Sanitary Standard" werden nur mit den entsprechenden Einbauteilen erfüllt. Diese sind mit dem 3-A-Logo gekennzeichnet.



Zulassung für explosionsgefährdete Bereiche bei entsprechender Installation. Baumer empfiehlt als Barriere: PROFSI3-B25100-ALG-LS.



Zulassung als industrielles Steuerungsgerät für die USA und Kanada durch Underwriter Laboratories (UL).



Zertifizierung durch DNV GL für Schiffe und Offshore-Anlagen.



WHG-zertifiziert für Leckage- und Überfüllsicherung. Alle zugehörigen Unterlagen müssen am Einsatzort verfügbar sein und sind auf der Produktseite auf [www.baumer.com](http://www.baumer.com) zu finden.



Zulassung als elektronisches Gerät für Bahnanwendungen.

Für mehr Informationen über Zulassungen und Zertifikate siehe Produktseite auf [www.baumer.com](http://www.baumer.com).

## 7. Elektrischer Anschluss

- ✓ Betriebsspannung 12 V bis 30 V DC ist bereitgestellt.
- ▶ Betriebsspannung ausschalten.
- ▶ Sensor laut Pin-Belegung anschliessen.

### Anschlussbelegung



Gehäusemasse nur bei Steckverbindung in Edelstahl verfügbar

Ausgabeart	Ersatzschaltbild	Funktion	M12-A 4 Pin	Kabelabgang
PNP		+ Vs	1	braun
		SW1 (NO)	4	schwarz
		SW1 (NC)	2	weiss
		GND (0 V)	3	blau
NPN		+ Vs	1	braun
		SW1 (NO)	4	schwarz
		SW1 (NC)	2	weiss
		GND (0 V)	3	blau

## 8. Elektrischer Anschluss in explosionsgefährdeten Bereichen

Abhängig von der Variante hat der LBFS Zulassungen für die meisten explosionsgefährdeten Bereiche.



### GEFAHR

#### Lebensgefahr durch falsch angeschlossenen Sensor

- ▶ In explosiven Gasatmosphären der Zone 0 oder 1 die Isolationsbarriere von Baumer oder eine Zener-Barriere verwenden.
- ▶ In explosiven Staubatmosphären isolierte Kabel mit IP67 verwenden.
- ▶ Installation nur durch Personal durchführen lassen, das im Explosionsschutz ausgebildet ist.

### 8.1 Explosive Gasatmosphäre Zone 0 und 1

Der LBFS kann in explosionsgefährdeten Bereichen der Zone 0 oder der Zone 1 verwendet werden. Sensoren mit PNP können die leicht zu installierende Isolationsbarriere von Baumer nutzen. Sensoren mit NPN müssen die Zener-Barriere verwenden.

Zulassung für LBFS-1xxxx.x: ATEX II 1G Ex ia IIC T4/T5

Zulassung für LBFS-4xxxx.x: ATEX II 1G Ex ia IIC T4/T5 und ATEX II 1D Ex ta IIIC T100 °C Da

### LBFS-1xxx1.x (PNP):

- ▶ Anschliessen mit Isolationsbarriere PROFSI3-B25100-ALG-LS.

### LBFS-1xxx2.x (NPN):

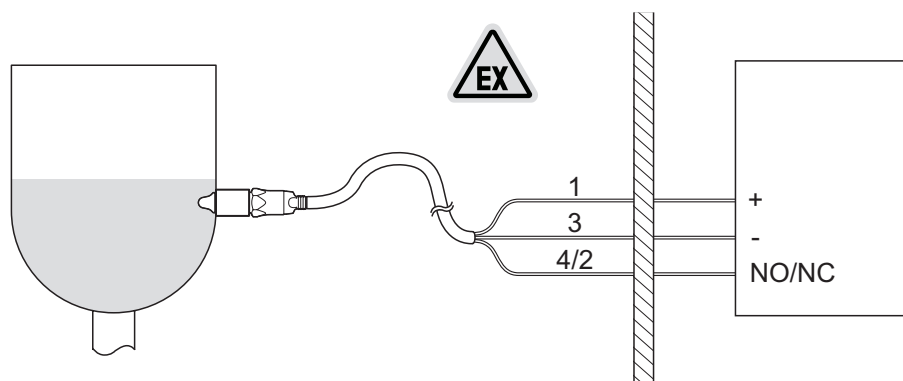
- ▶ Anschliessen mit Zener-Barriere.

### LBFS-4xxxx.x und zusätzliche Staubatmosphäre:

- ▶ Isolierte Kabel mit IP67 verwenden.
- ▶ Kabel mit einer externen Zugentlastung im Abstand von 5 Zentimetern vom Sensor befestigen.

### Alle LBFS in Zone 0 und Zone 1

- ▶ Folgende Temperaturen, Anschlusswerte und das Anschlussdiagramm beachten.



Funktion	M12-A 4 Pin
+ Vs	1
GND (0V)	3
NO/NC	4/2

PNP-Ausgang: PROFSI3-B25100-ALG-LS  
NPN-Ausgang: Zener-Barriere

- 1) Für Kabelversion LBFS-x2xxx.x 0,17 nF/Meter zu Ci hinzufügen bei Kabellängen über 5,0 Meter. Für Hängeversion LBFS-xx52x.x 0,20 nF/Meter zu Ci hinzufügen bei Kabellängen über 1,5 Meter.
- 2) Für Kabelversion LBFS-x2xxx.x 0,27 µH/Meter zu Li hinzufügen bei Kabellängen über 5,0 Meter. Für Hängeversion LBFS-xx52x.x 1,13 µH/Meter zu Li hinzufügen bei Kabellängen über 1,5 Meter.

## 8.2 Explosive Staubatmosphäre Zone 20, 21 und 22

Der LBFS kann in explosionsgefährdeten Bereichen der Zone 20, 21 oder 22 verwendet werden. Zulassung für LBFS-2xxxx.x: ATEX II 1D Ex ta IIIC T100 °C Da

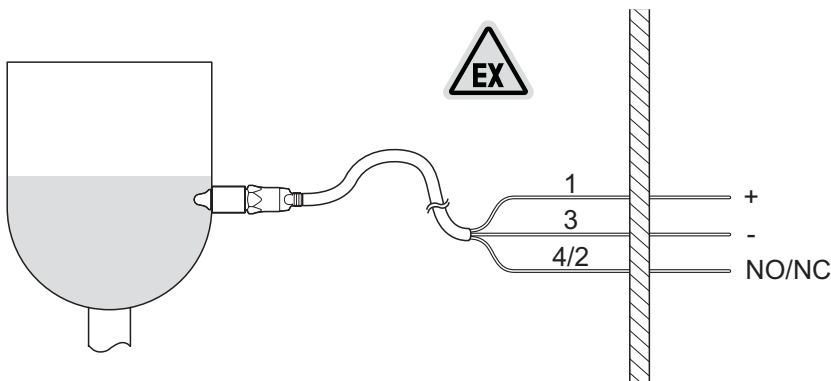
### LBFS-2xxxx.x:

- ▶ Isolierte Kabel mit IP67 verwenden.
- ▶ Kabel mit einer externen Zugentlastung im Abstand von 5 Zentimetern vom Sensor befestigen.
- ▶ Folgende Temperaturen, Anschlusswerte und das Anschlussdiagramm beachten.

### ATEX II 1 D Ex ta IIIC T100 °C Da

Versorgungsbereich	Un: 30 V DC max. In: 100 mA max.
Temperaturklasse	T100 °C: <ul style="list-style-type: none"> <li>■ Standardversion -40 &lt; Tamb &lt; 85 °C</li> <li>■ Kabelversion -25 &lt; Tamb &lt; 70 °C</li> </ul>
Oberflächentemperatur	100 °C max.
Schutzart für Kabelzubehör	IP67





Funktion	M12-A 4 Pin
+ Vs	1
GND (0V)	3
NO/NC	4/2

### 8.3 Explosive Gasatmosphäre Zone 2

Der LBFS kann in explosionsgefährdeten Bereichen der Zone 2 verwendet werden.  
Zulassung für LBFS-3xxxx.x: ATEX II 3G Ex ec IIC T4/T5

#### LBFS-3xxxx.x:

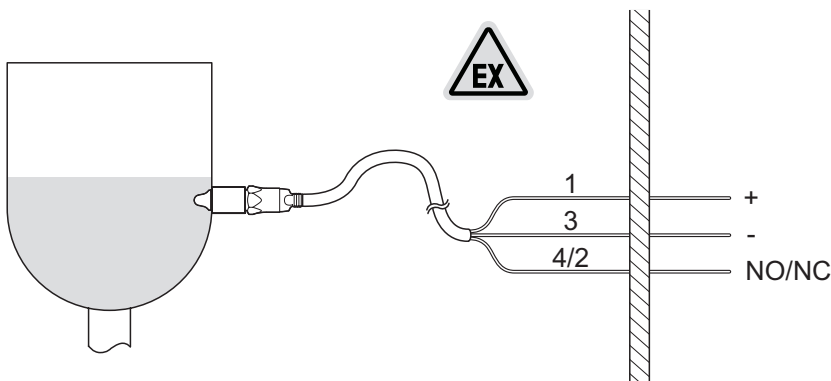
- ▶ Folgende Temperaturen, Anschlusswerte und das Anschlussdiagramm beachten

#### ATEX II 3 G Ex ec IIC T4/T5

Versorgungsbereich      Un: 30 V DC max.  
In: 100 mA max.

#### Temperaturklasse

- Standardversion      T4:  $-40 < T_{amb} < 85 \text{ °C}$   
T5:  $-40 < T_{amb} < 74 \text{ °C}$
- Kabelversion      T5:  $-25 < T_{amb} < 70 \text{ °C}$

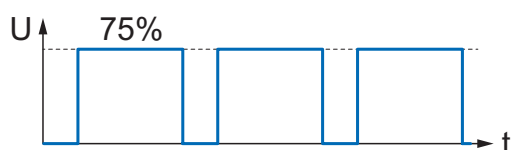
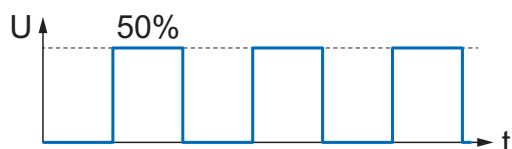
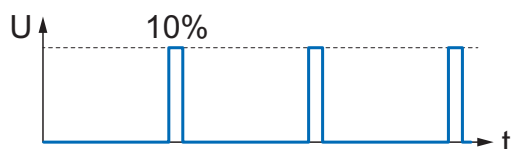


Funktion	M12-A 4 Pin
+ Vs	1
GND (0V)	3
NO/NC	4/2

## 9. Konfiguration

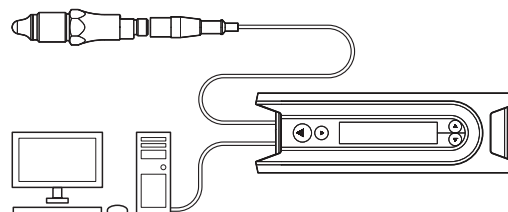
Der Sensor kann mit dem FlexProgrammer eingestellt werden. Dabei können Schaltpunkte und Dämpfung beliebig eingestellt werden. Ausserdem kann eine Pulsweitenmodulation als Signal festgelegt werden.

### Beispiele für Pulsweitenmodulation



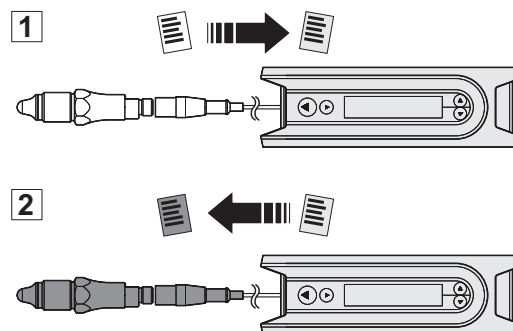
### Mit FlexProgrammer und PC konfigurieren

- ▶ FlexProgrammer an Sensor anschliessen.
- ▶ FlexProgrammer an PC anschliessen und Parameter einstellen (siehe Anleitung FlexProgrammer).



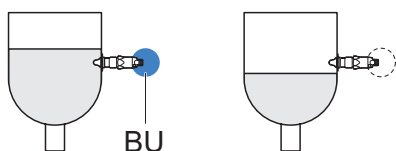
### Konfiguration mit FlexProgrammer kopieren

- ▶ Mit dem FlexProgrammer die Konfiguration eines Sensors auf einen weiteren Sensor kopieren (siehe Anleitung FlexProgrammer)



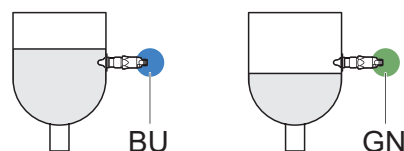
## 10. Betrieb

### Standardbetrieb mit Werkseinstellungen



- BU = Blau: Schaltausgang aktiv
- LED leuchtet nicht: Schaltausgang inaktiv

### LED-Anzeige für "Power-On"



- BU = Blau: Schaltausgang aktiv
- GN = Grün: Schaltausgang inaktiv

Mit der Benutzung des FlexProgrammers kann eine grüne LED zur „Power-On“- Anzeige aktiviert werden.

Anwendungsspezifische Einstellungen: siehe Kapitel „15. Werkseinstellungen und Benutzereinstellungen“ auf Seite 30.

## 11. Reinigung, Wartung und Reparatur

### Reinigen

- ▶ Sensor bei Bedarf reinigen, desinfizieren oder sterilisieren (CIP/SIP).

### Wartung

Eine regelmässige Wartung ist nicht erforderlich.

### Reparatur

- Den Sensor nicht selbst reparieren.
- ▶ Beschädigten Sensor an Baumer senden.

## 12. Entsorgung



- ▶ Nicht im Hausmüll entsorgen.
- ▶ Materialien trennen und entsprechend den national geltenden Vorschriften entsorgen.

## 13. Zubehör

Adapter und weiteres Zubehör siehe [www.baumer.com](http://www.baumer.com).

## 14. Technische Daten

### Umgebungsbedingungen

Arbeitstemperaturbereich	■ -40...+85 °C
Lagertemperaturbereich	■ -40...+85 °C
Luftfeuchtigkeit	■ < 98 % RH, kondensierend
Schutzart	■ IP67 ■ IP69K (mit geeignetem Kabel)
Schwingungen (sinusförmig) (EN 60068-2-6)	■ 1,6 mm p-p (2...25 Hz), 4 g (25...100 Hz), 1 Oktave / min.

### Speisung

Betriebsspannungsbereich	■ 12...30 V DC
Verpolungsschutz	■ ja
Stromaufnahme (ohne Last)	■ 25 mA typ., 50 mA max.
Hochlaufzeit	■ < 2 s

### Leistungsmerkmale

Wiederholbarkeit	■ ± 1 mm
Hysterese	■ ± 1 mm
Ansprechzeit	■ 0,1 s
Dämpfung	■ 0,0...10,0 s (einstellbar)

### Ausgangssignal

Ausgabeart	■ PNP ■ NPN
Strombelastung	■ 20 mA max.
Kurzschlussfestigkeit	■ ja
Spannungsabfall	■ PNP: (+Vs -1,5 V) ± 0,5 V, Rload = 10 kΩ ■ NPN: (+1,5 V) ± 0,5 V, Rload = 10 kΩ
Leckstrom	■ ± 100 µA max.

### Kabelversion

Arbeitstemperaturbereich	■ -25...+70 °C (wenn Kabel nicht bewegt wird) ■ -5...+70 °C (wenn Kabel bewegt wird)
Biegeradius	■ r ≥ 10 mm

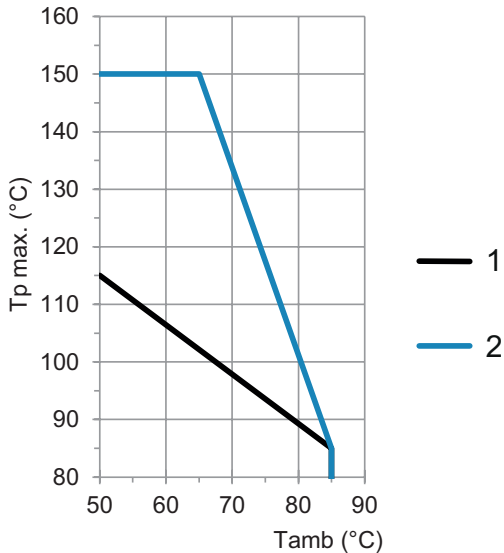
Prozessbedingungen für Umgebungstemperatur < 50 °C							
Version	Prozessanschluss	BCID	Prozess- temperatur kontinuierlich [°C]	Prozess- druck [bar]	Prozess- temperatur t < 1 h [°C]	Prozess- druck t < 1 h [bar]	
			Tamb < 50 °C		Tamb < 50 °C		
LBFS-xx1xx.x	G 1/2 A ISO 228-1 BSC	G07	-40...115	-1...100	135	-1...100	
LBFS-xxGxx.x	G 1/2 A ISO 228-1 BSC mit Kühlstrecke <sup>1)</sup>	G07	-40...150	-1...100	N/A	N/A	
LBFS-xxAxx.x	G 1/2 A DIN 3852-E, NBR-Dichtung	G51	-40...115	-1...100	135	-1...100	
LBFS-xxBxx.x	G 1/2 A DIN 3852-E, FKM-Dichtung	G51	-40...115	-1...100	135	-1...100	
LBFS-xx4xx.x	G1/2 A hygienegerecht	A03	-40...115	-1...10	135	-1...5	
LBFS-xxKxx.x	G1/2 A hygienegerecht, Länge 82 mm	A03	-40...115	-1...100	135	-1...100	
LBFS-xxLx.x	G1/2 A hygienegerecht, verschiebbarer Anschluss	A03	-40...200	-1...5	N/A	N/A	
LBFS-xx5xx.x	G 1/2 A ISO 228-1 für Innenmontage	T10	-40...85	-1...100	N/A	N/A	
LBFS-xx2xx.x	G 3/4 A ISO 228-1	G10	-40...115	-1...100	135	-1...100	
LBFS-xx3xx.x	G 1 A ISO 228-1	G11	-40...115	-1...100	135	-1...100	
LBFS-xxNxx.x	1/2-14 NPT	N02	-40...115	-1...100	135	-1...100	
LBFS-xxMxx.x	1/2-14 NPT mit Kühlstrecke	N02	-40...150	-1...100	N/A	N/A	
LBFS-xx6xx.x	3/4-14 NPT	N03	-40...115	-1...100	135	-1...100	
LBFS-xx7xx.x	M18x1 ISO 965	M11	-40...115	N/A	N/A	N/A	
LBFS-xxExx.x	G 1/2 A DIN 3852-E, FKM-Dichtung, mit Kühlstrecke	G51	-40...150	-1...100	N/A	N/A	

<sup>1)</sup> Nicht gültig für Montage mit ZPW1-7x1

Die Temperaturangaben gelten für eine maximale Eintauchtiefe der Sensorspitze in den Prozessbereich von 20 mm.

**Prozessbedingungen in Abhängigkeit von der Umgebungstemperatur**

**Version 1, 2, 3, 4, 6, 7, A, B, E G, K, M, N**



- 1 ohne Kühlstrecke
- 2 mit Kühlstrecke (Version E, G, M)

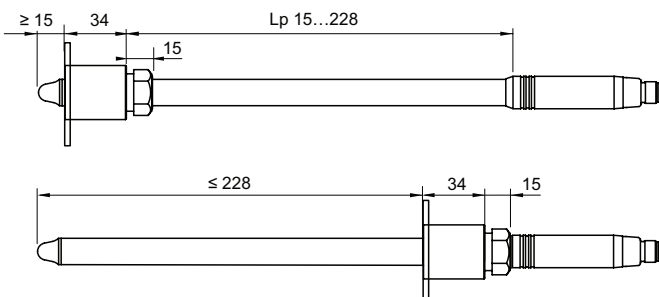
Tamb Umgebungstemperatur  
Tp Prozesstemperatur

**Version L (verschiebbarer Anschluss)**

Tp max. (°C)	Lp (mm)						
	200	25	35	50	65	90	145
190	20	35	45	65	90	140	
180	20	30	45	60	85	140	
170	20	25	40	55	85	135	
160	25	35	55	80	130		
150	20	25	50	75	130		
140	20	30	45	75	125		
130	25	45	70	120			
120	20	40	65	115			
110	20	25	60	110			
100	30	55	105				
90	25	50	100				
80	20	45	95				
70	35	85					
60	35	65					
	35	40	45	50	55	60	65
	Tamb (°C)						

- 1 Bereich ohne Einschränkungen

Tamb Umgebungstemperatur  
Tp Prozesstemperatur  
Lp min. überstehende Länge



Lp min. überstehende Länge

## 15. Werkseinstellungen und Benutzereinstellungen

Sensorparameter	Werkseinstellung	Benutzereinstellung
<b>SW1 (NO)</b>	Schaltfenster, min.	■ 0 %
	Schaltfenster, max.	■ 75,3 %
	Schaltfenster-hysterese	■ 2,4 %
	Dämpfung	■ 0,1 s

## Sommaire

Sommaire .....	31	9. Configuration .....	40
1. Sécurité .....	31	10. Fonctionnement.....	40
2. Structure et fonctionnement .....	31	11. Nettoyage, maintenance et réparation .....	41
3. Symboles dans les avertissements .....	32	12. Elimination.....	41
4. Transport et stockage.....	32	13. Accessoires.....	41
5. Montage .....	32	14. Caractéristiques techniques .....	41
6. Autorisations .....	36	15. Réglages d'usine et réglages de l'utilisateur.....	44
7. Branchement électrique .....	37		
8. Branchement électrique dans des zones à risques d'explosion.....	37		

## 1. Sécurité

### Utilisation conforme

Le capteur doit être utilisé exclusivement pour la détection de niveau de liquides et solides avec une constante diélectrique d'au moins 1,5.

Le capteur doit servir uniquement pour des médias auxquels le matériau du boîtier et la pointe du capteur sont résistants.

### Qualification du personnel

Le personnel doit être formé aux tâches décrites. Cela vaut tout particulièrement pour le montage, l'installation et la protection anti-déflagration. S'assurer que le personnel a lu et compris la présente notice.

### Etat technique

Utiliser uniquement un capteur dans un état technique irréprochable. Utiliser exclusivement des accessoires Baumer.

Baumer ne pourra être tenu responsable en cas d'utilisation d'accessoires d'autres marques.

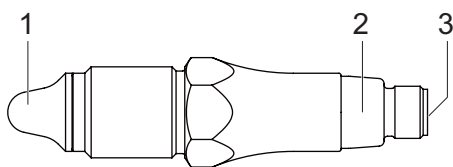
### Risque de brûlure avec les médias chauds

Le boîtier du capteur peut chauffer au-delà de 50 °C en fonctionnement. Lorsque les médias sont chauds, prévoir une protection contre les brûlures.

### Zone à risques d'explosion

S'assurer que les dispositions techniques de sécurité sont respectées. Ne pas utiliser des appareils qui ont été soumis à des chocs importants.

## 2. Structure et fonctionnement



- 1 Pointe du capteur
- 2 LED
- 3 Branchement avec connecteur M12-A, 4 broches ou sortie de câble

Fig. 1. Structure

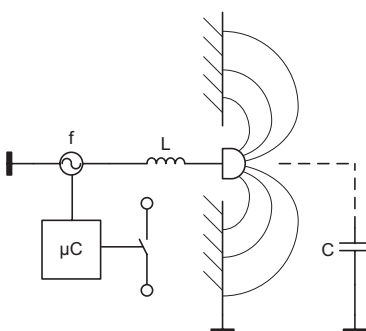



Fig. 2. Fonctionnement

Une électrode intégrée à la pointe du capteur forme un condensateur avec l'environnement. Le média détermine la valeur de la capacité en fonction de sa constante diélectrique (valeur DK). Avec une bobine dans l'électronique du capteur, un circuit résonant se forme. En fonction de la fréquence de résonance mesurée et des seuils de déclenchement programmables, le signal de commutation est activé.

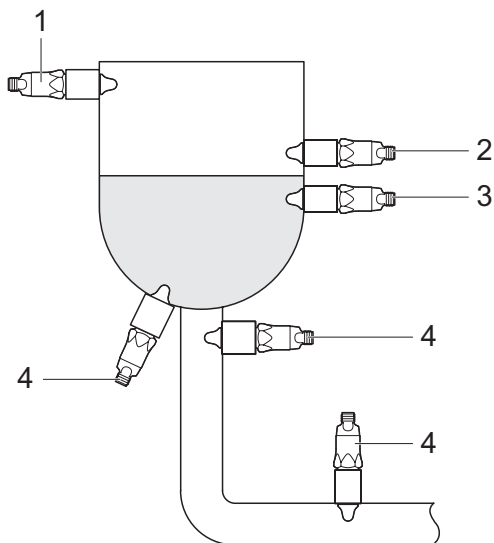
### 3. Symboles dans les avertissements

Symbole	Mot d'avertissement	Explication
	<b>DANGER</b>	Situations entraînant la mort ou des blessures graves.
	<b>AVERTISSEMENT</b>	Situations pouvant entraîner la mort ou des blessures graves.
	<b>PRUDENCE</b>	Situations pouvant entraîner des blessures légères à modérées.
	<b>ATTENTION</b>	Dommages matériels

### 4. Transport et stockage

- ▶ Contrôler l'état de l'emballage et du capteur.
- ▶ En cas de dommage : Ne pas utiliser le capteur.
- ▶ Stocker le capteur à l'abri des coups.  
Température de stockage :  $-40...+85\text{ °C}$   
Humidité relative :  $< 98\%$

### 5. Montage



- 1 Sécurité antidébordement
- 2 Niveau limite maxi
- 3 Niveau limite mini
- 4 Sécurité anti marche à sec

Le capteur peut être monté sur le récipient dans n'importe quelle position.

Un capteur (1) monté sur le récipient empêche tout débordement. Des capteurs montés plus bas détectent un niveau limite maximum (2) ou minimum (3). Un capteur placé en bas ou sur le tuyau de sortie (4) peut protéger la pompe contre une marche à vide.

Fig. 3. Possibilités générales de montage



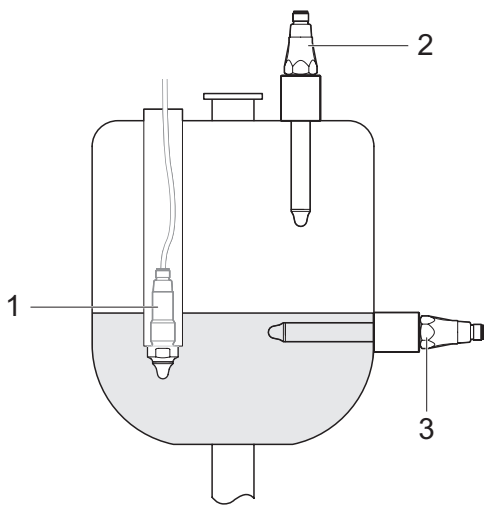


Fig. 4. Montage de capteurs rallongés

- 1 Détection de niveau : Montage avec tuyau (version 5)
- 2 Sécurité antidébordement (Version K, L)
- 3 Médias pâteux ou pulvérulents  
Détection de niveau (version K, L)

Longueur d'immersion :

- Version K : 82 mm (fixe)
- Version L : 15...228 mm (coulissant)

Avec la version coulissante L, il est possible de compenser une isolation de cuve.

Pour les médias pâteux ou pulvérulents, le capteur est insensible aux adhérences en raison de la profondeur d'immersion plus élevée.

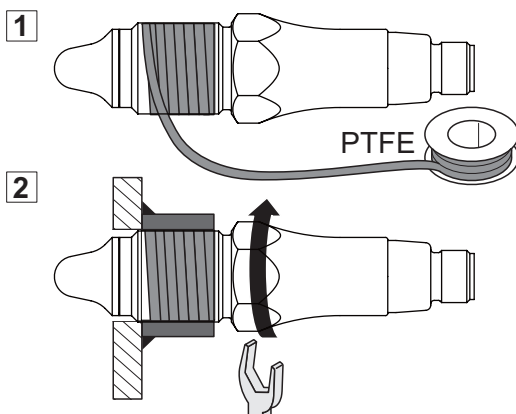
## 5.1 Montage pour les applications industrielles



### DANGER

#### Risque de blessure par un média dangereux

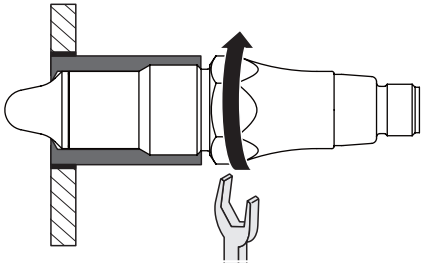
- ▶ Porter un équipement de protection en cas de médias dangereux (par ex. acides, alcalis).
- ▶ Vider le récipient et les tuyauteries avant le montage.



#### LBFS avec les raccords process suivants :

- G 1/2 A ISO 228-1 BSC (BCID G07)
- G 3/4 A ISO 228-1 (BCID G10)
- G 1 A ISO 228-1 (BCID G11)
- 1/2-14 NPT (BCID N02)
- 3/4-14 NPT (BCID N03)

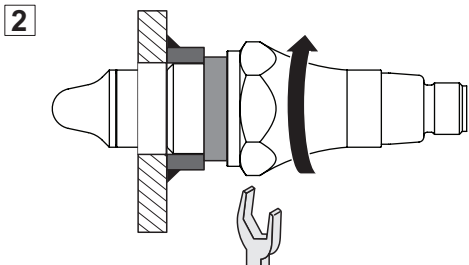
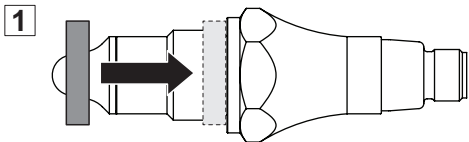
- ✓ Le récipient et les tuyauteries sont vides de médias.
- ▶ Etanchéifier le filetage du capteur avec un ruban de Téflon (PTFE).
- ▶ Visser le capteur.  
Couple de serrage G xx A : 30 Nm max.  
Couple de serrage xx-14 NPT : 20 Nm max.

**LBFS avec les raccords process suivants :**

- G 1/2 A ISO 228-1 BSC (BCID G07) avec manchon à souder industriel pour une utilisation universelle Ø 30 x 26 (ZPW1-711, ZPW1-721)
- G 1/2 A hygiénique (BCID A03) avec manchon à souder ou adaptateur Baumer

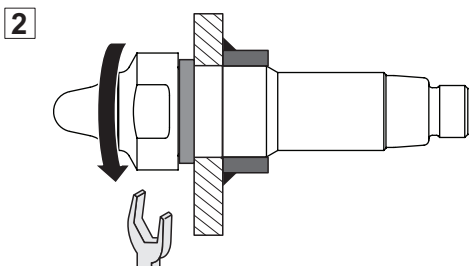
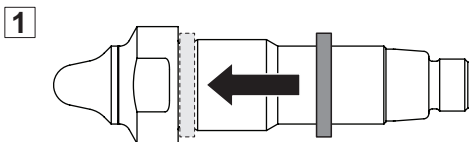
Avec ces raccords process, pas d'étanchéification avec du ruban Téflon (PTFE) ou de l'élastomère.

- ✓ Le récipient et les tuyauteries sont vides de médias.
- ✓ L'adaptateur ou le manchon à souder est monté sans espace mort.
- ▶ Visser le capteur.  
Couple de serrage : 15...20 Nm

**LBFS avec les raccords process suivants :**

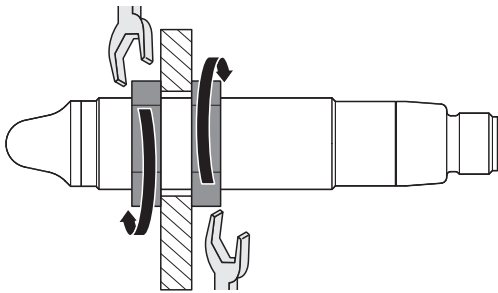
- G 1/2 A DIN 3852-E (BCID G51)

- ✓ Le récipient et les tuyauteries sont vides de médias.
- ▶ Enfiler la bague d'étanchéité.
- ▶ Visser le capteur.  
Couple de serrage : 15...20 Nm

**LBFS avec les raccords process suivants :**

- G 1/2 A ISO 228-1 pour le montage intérieur (BCID T10)

- ✓ Le récipient et les tuyauteries sont vides de médias.
- ▶ Enfiler la bague d'étanchéité.
- ▶ Visser le capteur.  
Couple de serrage : 15...20 Nm



**LBFS avec les raccords process suivants :**

- M18x1 ISO 965 (BCID M11)

- ▶ Serrer les écrous des deux côtés.  
Couple de serrage : 15...20 Nm

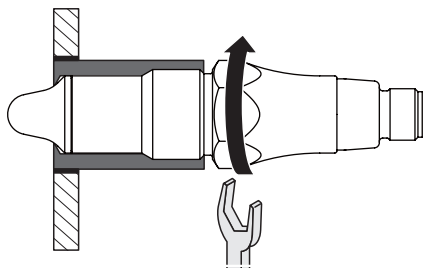
**5.2 Montage pour les applications hygiéniques**



**AVERTISSEMENT**

**Risque sanitaire par du média pollué**

- ▶ Utiliser exclusivement des manchons à souder ou adaptateurs Baumer.
- ▶ Ne pas étanchéifier le raccord process avec du ruban Téflon (PTFE) ou de l'élastomère.
- ▶ Ne faire effectuer les travaux de soudure que par des soudeurs formés au secteur de l'hygiène.

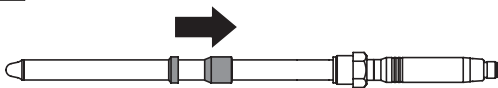


**LBFS avec le raccord process suivant :**

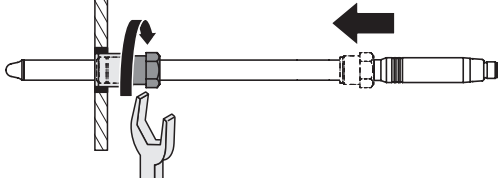
- G 1/2 A hygiénique (BCID A03)

- ✓ Le manchon à souder ou l'adaptateur est monté selon les règles d'hygiène et encastré à l'intérieur.
- ✓ Cordons de soudure lissés à Ra < 0,8 µm.
- ✓ Alésage de fuite orienté vers le bas.
- ▶ Visser le capteur.  
Couple de serrage : 10 ... 15 Nm

1



2

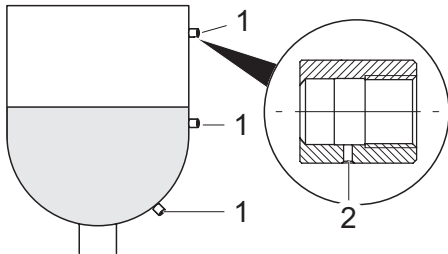


**LBFS avec le raccord process suivant :**

- G 1/2 A hygiénique avec raccord coulissant (BCID A03)

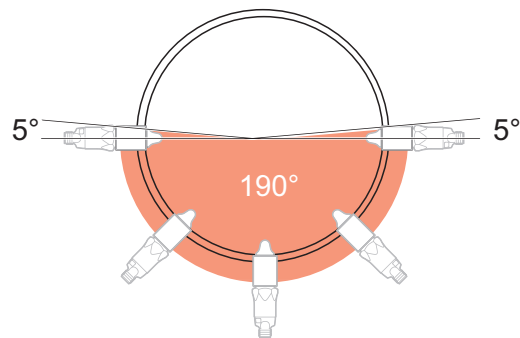
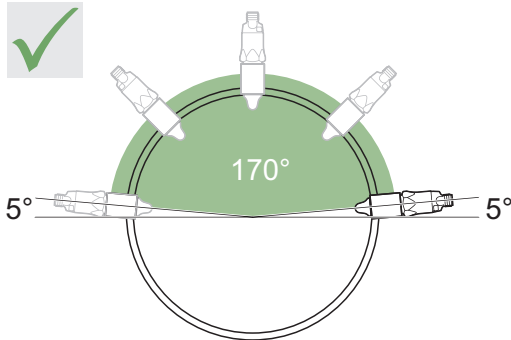
- ✓ Le manchon à souder ou l'adaptateur est monté selon les règles d'hygiène et encastré à l'intérieur.
- ✓ Cordons de soudure lissés à Ra < 0,8 µm.
- ✓ Alésage de fuite orienté vers le bas.
- ✓ Les bagues de serrage sont dans un état irréprochable (en cas de déformation, remplacer les deux bagues de serrage).
- ▶ Faire coulisser la bague de serrage large sur le tube de guidage.
- ▶ Faire coulisser la bague de serrage étroite sur le tube de guidage.
- ▶ Positionner le capteur.
- ▶ Régler la profondeur d'immersion.  
Longueur de dépassement : 15...228 mm
- ▶ Visser le bouchon vissé.  
Couple de serrage : 22...25 Nm

### Exemple de montage avec manchon à souder ZPW3-321



- 1 ZPW3-321  
2 Alésage de fuite

### Exemple de montage avec manchon à souder ZPW3-326 ou ZPW3-327



## 6. Approbation



Le certificat EHEDG est valable uniquement en combinaison avec les composants correspondants.



Les exigences de la norme "3-A Sanitary Standard" sont remplies uniquement avec les composants correspondants. Ceux-ci sont repérés avec le logo 3-A.



Homologation pour les zones à risques d'explosions en cas d'utilisation conforme. Baumer recommande comme barrière : PROFSI3-B25100-ALG-LS.



Homologation comme appareil de commande industriel pour les Etats-Unis et le Canada, délivrée par Underwriter Laboratories (UL).



Certification DNV GL pour les navires et les installations offshore.

**WHG**

WHG certifié pour les fuites et protection antidébordement. Toute la documentation doit être disponible sur le lieu d'utilisation et sur la page du produit sur [www.baumer.com](http://www.baumer.com)

EN 50155

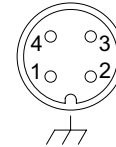
Homologation comme appareil électronique pour les applications ferroviaires.

Pour de plus amples informations sur les autorisations et les certificats, se reporter à la page des produits sur [www.baumer.com](http://www.baumer.com).

## 7. Branchement électrique

- ✓ La tension de service 12 V à 30 V DC est disponible.
- ▶ Couper la tension de service.
- ▶ Raccorder le capteur en fonction de l'affectation des broches.

### Affectation des broches



Mise à la terre du châssis disponible uniquement en cas de raccordement enfichable en acier inoxydable

Type de sortie	Circuit équivalent	Fonctionnement	M12-A 4 broches	Sortie de câble
<b>PNP</b>		+ Vs	1	marron
		SW1 (NO)	4	noir
		SW1 (NC)	2	blanc
		GND (0 V)	3	bleu
<b>NPN</b>		+ Vs	1	marron
		SW1 (NO)	4	noir
		SW1 (NC)	2	blanc
		GND (0 V)	3	bleu

## 8. Branchement électrique dans des zones à risques d'explosion

En fonction de la version, le LBFS dispose d'homologations pour la plupart des zones à risques d'explosion.



### **DANGER**

#### **Danger de mort en raison d'un capteur mal raccordé**

- ▶ Dans les atmosphères de gaz explosifs de la zone 0 ou 1, utiliser la barrière d'isolation de Baumer ou une barrière Zéner.
- ▶ Dans les atmosphères de poussières explosives, utiliser des câbles isolés avec indice IP67.
- ▶ Faire effectuer l'installation uniquement par un personnel formé à la protection contre les explosions.

### 8.1 Atmosphère de gaz explosifs Zone 0 et 1

Le LBFS peut être utilisé dans des zones à risques d'explosion de la zone 0 ou 1. Les capteurs PNP peuvent utiliser la barrière d'isolation Baumer facile à installer. Les capteurs NPN doivent utiliser la barrière Zéner.

Homologation pour LBFS-1xxxx.x : ATEX II 1G Ex ia IIC T4/T5

Homologation pour LBFS-4xxxx.x : ATEX II 1G Ex ia IIC T4/T5 et ATEX II 1D Ex ta IIIC T100 °C Da

**LBFS-1xxx1.x (PNP):**

- ▶ Raccorder avec la barrière d'isolation PROFSI3-B25100-ALG-LS.

**LBFS-1xxx2.x (NPN):**

- ▶ Raccorder avec la barrière Zéner.

**LBFS-4xxxx.x et autres atmosphères de poussières :**

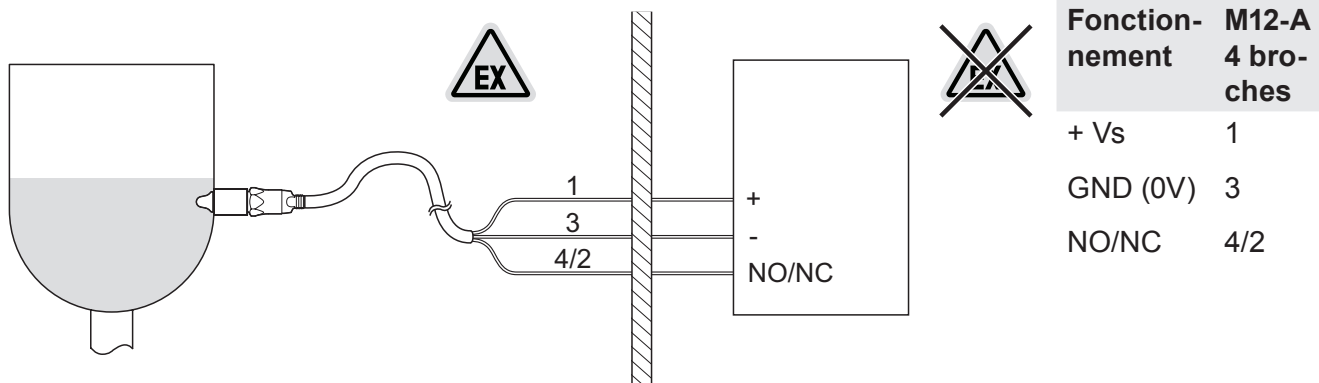
- ▶ Utiliser des câbles isolés avec indice IP67.
- ▶ Fixer les câbles dotés d'une décharge de traction extérieure à une distance de 5 centimètres du capteur.

**Tous les LBS en zone 0 et 1 :**

- ▶ Respecter les températures, les valeurs de raccordement et le schéma de raccordement suivants.

**ATEX II 1 G Ex ia IIC T4/T5**

Valeurs maximales pour la sélection de la barrière	Ui: 30 V DC Ii: 100 mA Pi: 0,75 W
Capacité interne	Ci: 43 nF <sup>1)</sup>
Inductivité interne	Li: 10 µH <sup>2)</sup>
Catégorie de température	<ul style="list-style-type: none"> <li>■ Version standard T4: <math>-40 &lt; T_{amb} &lt; 85</math> °C T5: <math>-40 &lt; T_{amb} &lt; 74</math> °C</li> <li>■ Version câblée T5: <math>-25 &lt; T_{amb} &lt; 70</math> °C</li> </ul>



Sortie PNP : PROFSI3-B25100-ALG-LS

Sortie NPN : Barrière Zéner

- 1) Pour la version câblée LBFS-x2xxx.x, ajouter 0,17 nF/mètre de Ci pour les longueurs de câbles supérieures à 5,0 mètres. Pour la version suspendue LBFS-xx52x.x, ajouter 0,20 nF/mètre de Ci pour les longueurs de câbles supérieures à 1,5 mètre.
- 2) Pour la version câblée LBFS-x2xxx.x, ajouter 0,27 µH/mètre de Li pour les longueurs de câbles supérieures à 5,0 mètres. Pour la version suspendue LBFS-xx52x.x, ajouter 1,13 µH/mètre de Li pour les longueurs de câbles supérieures à 1,5 mètre.

**8.2 Atmosphère de poussière explosive Zone 20, 21 et 22**

Le LBFS peut être utilisé dans des zones à risques d'explosion de la zone 20, 21 ou 22.

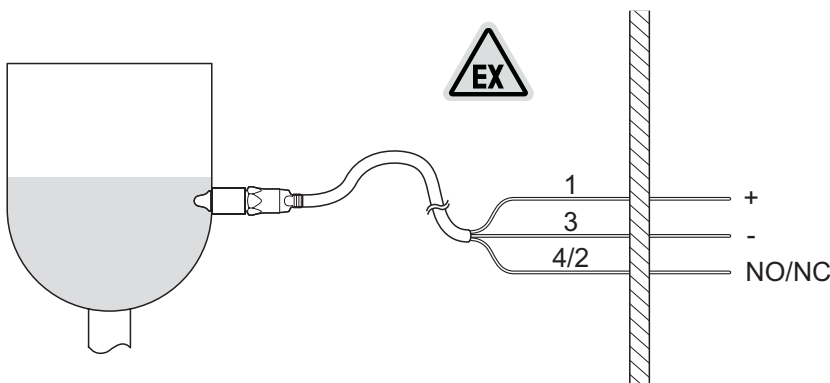
Homologation pour LBFS-2xxxx.x : ATEX II 1D Ex ta IIIC T100 °C Da

**LBFS-2xxxx.x:**

- ▶ Utiliser des câbles isolés avec indice IP67.
- ▶ Fixer les câbles dotés d'une décharge de traction extérieure à une distance de 5 centimètres du capteur.
- ▶ Respecter les températures, les valeurs de raccordement et le schéma de raccordement suivants.

**ATEX II 1 D Ex ta IIIC T100 °C Da**

Plage d'alimentation	Un: 30 V DC max. In: 100 mA max.
Catégorie de température	T100 °C:
■ Version standard	-40 < Tamb < 85 °C
■ Version câblée	-25 < Tamb < 70 °C
Température de surface	100 °C max.
Indice de protection des accessoires de câbles	IP67



Fonctionnement	M12-A 4 broches
+ Vs	1
GND (0V)	3
NO/NC	4/2

**8.3 Atmosphère de gaz explosif Zone 2**

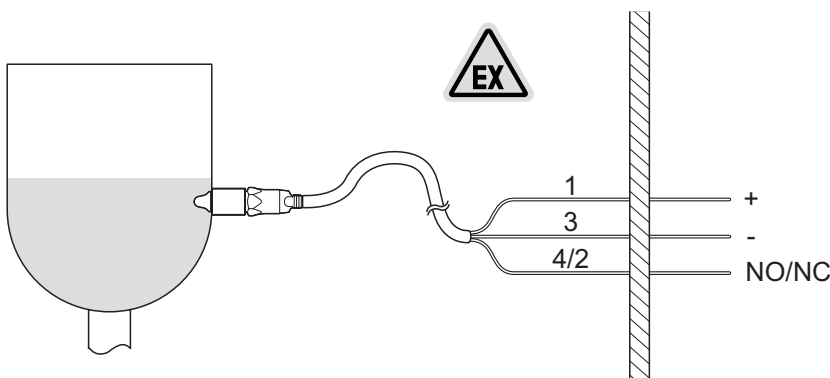
Le LBFS peut être utilisé dans des zones à risques d'explosion de la zone 2.  
Homologation pour LBFS-3xxxx.x : ATEX II 3G Ex ec IIC T4/T5

**LBFS-3xxxx.x:**

- ▶ Respecter les températures, les valeurs de raccordement et le schéma de raccordement suivants

**ATEX II 3 G Ex ec IIC T4/T5**

Plage d'alimentation	Un: 30 V DC max. In: 100 mA max.
Catégorie de température	
■ Version standard	T4: -40 < Tamb < 85 °C T5: -40 < Tamb < 74 °C
■ Version câblée	T5: -25 < Tamb < 70 °C

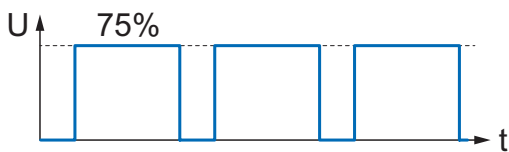
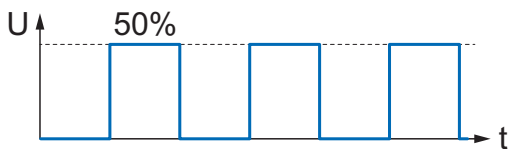
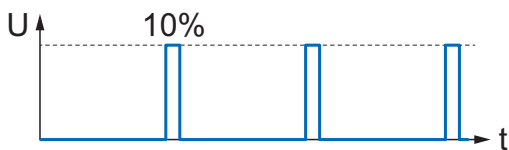


Fonctionnement	M12-A 4 broches
+ Vs	1
GND (0V)	3
NO/NC	4/2

## 9. Configuration

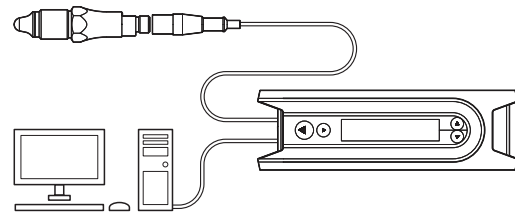
Le capteur peut être réglé à l'aide du FlexProgrammer. Celui-ci permet de régler à votre guise les points de commutation et l'amortissement. En outre, il est possible de définir une modulation de largeur d'impulsion comme un signal.

### Exemples de modulation de largeur d'impulsion



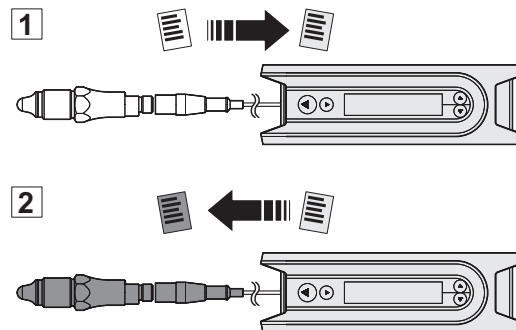
### Configuration avec le FlexProgrammer et un PC

- ▶ Raccorder le FlexProgrammer au capteur.
- ▶ Raccorder le FlexProgrammer au PC et définir les paramètres (voir la notice du FlexProgrammer).



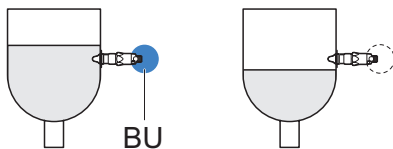
### Copie de la configuration avec le FlexProgrammer

- ▶ Avec le FlexProgrammer, copier la configuration d'un capteur sur un autre capteur (voir la notice du FlexProgrammer)



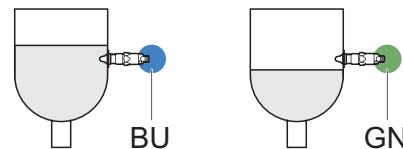
## 10. Fonctionnement

### Fonctionnement standard avec les réglages d'usine



- BU = bleu : Sortie de commutation active
- La LED ne s'allume pas : Sortie de commutation inactive

### Affichage LED pour « la mise en marche »



- BU = bleu : Sortie de commutation active
- GN = vert : Sortie de commutation inactive

L'utilisation du FlexProgrammer permet d'activer une LED verte de « mise en marche ».

Réglages spécifiques à l'application : voir le chapitre « 15. Réglages d'usine et réglages de l'utilisateur », page 44.



## 11. Nettoyage, maintenance et réparation

### Nettoyage

- ▶ Nettoyer, désinfecter ou stériliser le capteur si besoin (CIP/SIP).

### Maintenance

Une maintenance régulière n'est pas nécessaire.

### Réparation

Ne pas réparer soi-même le capteur.

- ▶ Envoyer le capteur endommagé à Baumer.

## 12. Elimination



- ▶ Ne pas jeter avec les ordures ménagères.
- ▶ Trier les matériaux et les éliminer en fonction de la réglementation en vigueur.

## 13. Accessoires

Adaptateurs et autres accessoires, visiter le site [www.baumer.com](http://www.baumer.com).

## 14. Caractéristiques techniques

### Conditions environnementales

Plage de température de service	■ -40...+85 °C
Plage de température de stockage	■ -40...+85 °C
Humidité de l'air	■ Humidité relative < 98 %, avec condensation
Indice de protection	■ IP67 ■ IP69K (avec un câble adapté)
Ondulations (sinusoïdales) (EN 60068-2-6)	■ 1,6 mm p-p (2...25 Hz), 4 g (25...100 Hz), 1 octave / min.

### Alimentation

Plage de tension de service	■ 12...30 V DC
Protection contre l'inversion de polarité	■ oui
Consommation de courant (sans charge)	■ 25 mA typ., 50 mA max.
Temps de démarrage	■ < 2 s

### Caractéristiques de performance

Répétabilité	■ ± 1 mm
Hystérèse	■ ± 1 mm
Temps de réaction	■ 0,1 s
Amortissement	■ 0,0...10,0 s (réglable)

### Signal de sortie

Type de sortie	■ PNP ■ NPN
Charge de courant	■ 20 mA max.
Protection de court-circuit	■ oui
Chute de tension	■ PNP : (+Vs -1,5 V) ± 0,5 V, Rload = 10 kΩ ■ NPN : (+1,5 V) ± 0,5 V, Rload = 10 kΩ
Courant de fuite	■ ± 100 µA max.
Logique de commutation	■ Normalement (NO), actif low ■ Normalement fermé (NC), actif high

### Version câblée

Plage de température de service	■ -25...+70 °C (si le câble n'est pas bougé) ■ -5...+70 °C (si le câble est bougé)
Rayon de courbure	■ r ≥ 10 mm

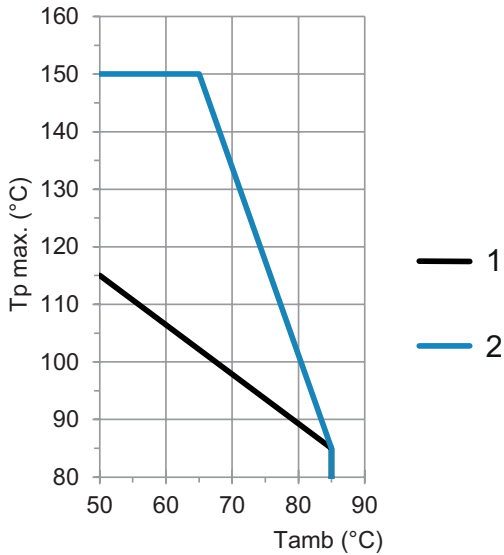
Conditions de process pour une température ambiante < 50° C						
Version	Raccord process	BCID	Température du process en continu [°C]  Tamb < 50 °C	Pression du process [bar]	Température du process t < 1 h [°C]  Tamb < 50 °C	Pression du process t < 1 h [bar]
LBFS-xx1xx.x	G 1/2 A ISO 228-1 BSC	G07	-40...115	-1...100	135	-1...100
LBFS-xxGxx.x	G 1/2 A ISO 228-1 BSC avec section de refroidissement <sup>1)</sup>	G07	-40...150	-1...100	N/A	N/A
LBFS-xxAxx.x	G 1/2 A DIN 3852-E, joint NBR	G51	-40...115	-1...100	135	-1...100
LBFS-xxBxx.x	G 1/2 A DIN 3852-E, joint FKM	G51	-40...115	-1...100	135	-1...100
LBFS-xx4xx.x	G1/2 A hygiénique	A03	-40...115	-1...10	135	-1...5
LBFS-xxKxx.x	G1/2 A hygiénique, longueur 82 mm	A03	-40...115	-1...100	135	-1...100
LBFS-xxLx.x	G1/2 A hygiénique, raccord coulissant	A03	-40...200	-1...5	N/A	N/A
LBFS-xx5xx.x	G 1/2 A ISO 228-1 pour montage intérieur	T10	-40...85	-1...100	N/A	N/A
LBFS-xx2xx.x	G 3/4 A ISO 228-1	G10	-40...115	-1...100	135	-1...100
LBFS-xx3xx.x	G 1 A ISO 228-1	G11	-40...115	-1...100	135	-1...100
LBFS-xxNxx.x	1/2-14 NPT	N02	-40...115	-1...100	135	-1...100
LBFS-xxMxx.x	1/2-14 NPT avec section de refroidissement	N02	-40...150	-1...100	N/A	N/A
LBFS-xx6xx.x	3/4-14 NPT	N03	-40...115	-1...100	135	-1...100
LBFS-xx7xx.x	M18x1 ISO 965	M11	-40...115	N/A	N/A	N/A
LBFS-xxExx.x	G 1/2 A DIN 3852-E, joint FKM, avec section de refroidissement	G51	-40...150	-1...100	N/A	N/A

<sup>1)</sup> Non valable pour le montage avec ZPW1-7x1

Les indications de température s'appliquent à une profondeur d'immersion maximale de la pointe du capteur de 20 mm dans la plage de process.

**Conditions du processus en fonction de la température ambiante**

**Version 1, 2, 3, 4, 6, 7, A, B, E, G, K, M, N**



- 1 sans section de refroidissement
- 2 avec section de refroidissement (version E, G, M)

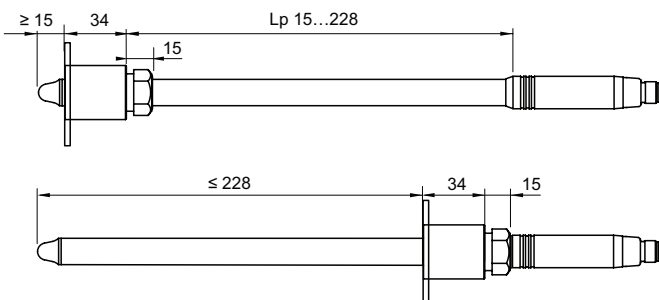
Tamb Température ambiante  
Tp Température de process

**Version L (raccord coulissant)**

Tp max. (°C)	Lp (mm)						
	200	25	35	50	65	90	145
190	20	35	45	65	90	140	
180	20	30	45	60	85	140	
170	20	25	40	55	85	135	
160	25	35	55	80	130		
150	20	25	50	75	130		
140	20	30	45	75	125		
130	25	45	70	120			
120	20	40	65	115			
110	20	25	60	110			
100	30	55	105				
90	25	50	100				
80	20	45	95				
70	35	85					
60	35	65					
	35	40	45	50	55	60	65
	Tamb (°C)						

- 1 Zone sans restrictions

Tamb Température ambiante  
Tp Température de process  
Lp longueur de dépassement min.



Lp longueur de dépassement min.

## 15. Réglages d'usine et réglages de l'utilisateur

Paramètres du capteur	Réglage d'usine	Réglage personnalisé
<b>SW1 (NO)</b>	Fenêtre de commutation, min. ■ 0%	■
	Fenêtre de commutation, max. ■ 75,3%	■
	Hystérèse fenêtre de commutation ■ 2,4%	■
	Amortissement ■ 0,1 s	■



Level measurement

# *CleverLevel*<sup>®</sup> LBFS

Point level detection



Level measurement

# CleverLevel® LBFS

Point level detection

 **Baumer**  
Passion for Sensors

## **Baumer A/S**

Runetoften 19  
8210 Aarhus V  
Denmark

Phone: +45 8931 7611

Fax: +45 8931 7610

Mail: [sales.cc-lct@baumer.com](mailto:sales.cc-lct@baumer.com)