

GENERAL

ALIASONIC The AUL7301H Series is a fixed mounted, Ultrasonic Level Transmitter with Fix-in the air and used for non-invasive measurement. Our microprocessor based, user friendly, field programmable level measurement technique allows no interruption of the process level and has low installation costs.

FEATURES

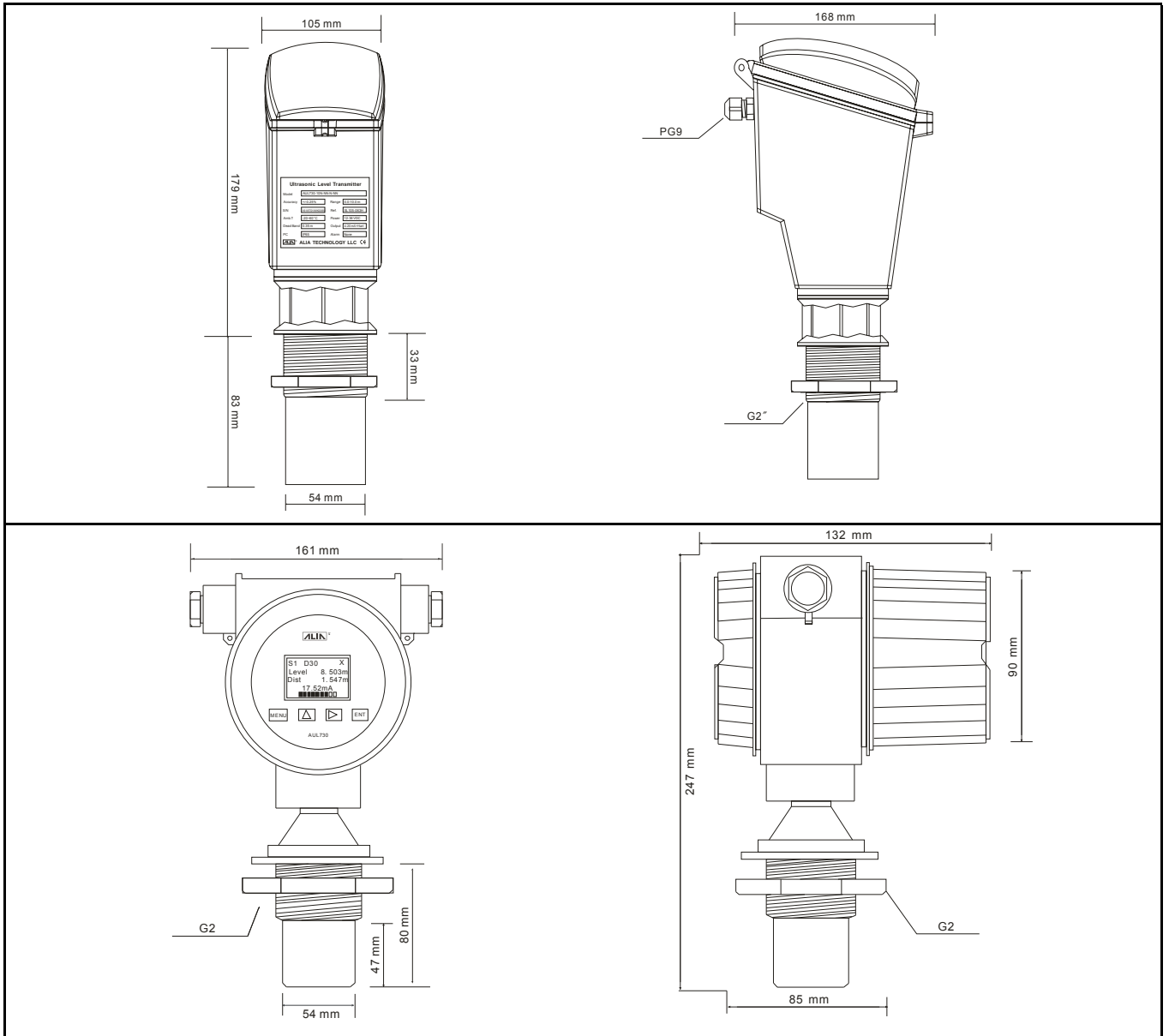
- Simple set-up and operation
- Fast and simple to install and configure
- Loop-powered 4-20 mA output with HART signal
- Low cost of installation and commissioning
- Non-contact level measurement
- Exclusive sensor for level transmitter
- Response time less than 1 second

STANDARD SPECIFICATION

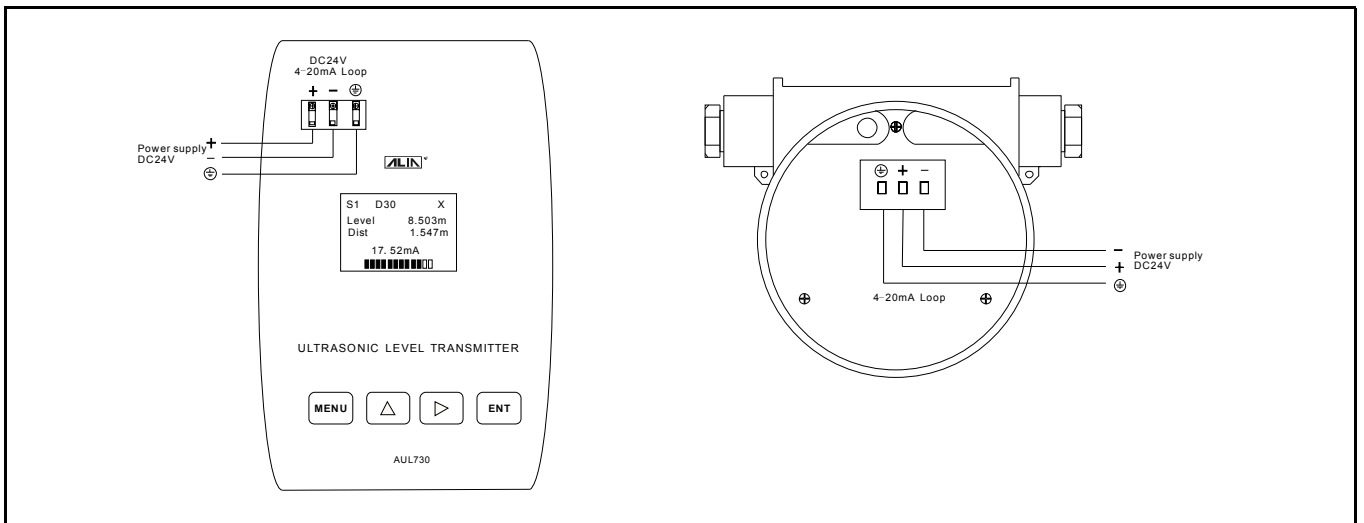
- Measuring Principle : Ultrasonic Level Measurement
- Measuring Range : 0-3 m, 0-5 m, 0-10 m, 0-15 m, 0-20 m
: 0-10 ft, 0-16 ft, 0-33 ft, 0-50 ft, 0-65 ft
- Display : 4 Line LCD with Bargraph (illumination)
- Resolution : 1 mm / 0.003 ft
- Accuracy : +/-0.25% of Full Scale
- Repeatability : +/-0.1% of reading
- Material
 - Ultrasonic Tube : ABS
 - Sensor Head : Polyurethane (Standard) / ETFE / PTFE
 - Housing : ABS or Aluminum Alloy (Weather Proof)
: Aluminum Alloy (Explosion Proof)
- Update Time : <3 s
- Ambient Temperature : -20~60 °C
- Relative Humidity : 0-100% RH
- Sensor Frequency : 40 kHz / 1 kHz
- Blanking Distance : 0.35-1.0 m
- Bean Angle : 6°
- Keypad : 4 Key with tactile action
- Response Time : Less than 1 second
- Protection Class : IP65 (ABS) / IP67 (Aluminum Alloy)
: Explosion Proof, Ex d (ia) IIB T4
- Installation : G 2" and 20 m sensor is M70 * 2 Standard
: Flange end (Optional)
- EMI / RFI Effect : Follow SAMA PMC 33.1 from 20-1000
MHz and for field strengths up to 30 V/m
- Process Temperature : -40~60 °C (Standard)
: -40~100 °C (Optional)
- Process Pressure : -0.8~2.0 bar G
- Max. Cable Length : 50 Meter (Remote Version)
- Power Supply : 12-36 VDC (2 wires) (Compact)
: Start-up current 25 mA (Standard)
: Start-up current 40 mA (With HART)
: 12-36 VDC / 85-260 VAC, 4 wires (Remote)
- Power Consumption : Less than 3W
- Current Output : 4-20 mA (2 wires, 4 wires)
Load : Rohm= (VDC-12) * 50 Ω
- Alarm Output : High/Low/High-High/Low-Low (Remote)
- Communication : RS485 MODBUS, 4 wires only (Standard)
: HART Signal (Optional)
- Temp. Compensation : Built-in to compensate over temperature
range
- Data Storage : Operation parameters and totalization
data are stored by EEPROM for more
than 10 years
- Dimensions
 - Compact (ABS) : 105 mm (W) * 262 mm (H) * 168 mm (D)
 - Compact (Aluminum) : 161 mm (W) * 247 mm (H) * 132 mm (D)
 - Remote (ABS) : 183.5 mm (W) * 218 mm (H) * 125.5 mm (D)
- Weight : 1.0 kg / 2.2 kg (Compact), 2.2 kg (Remote)



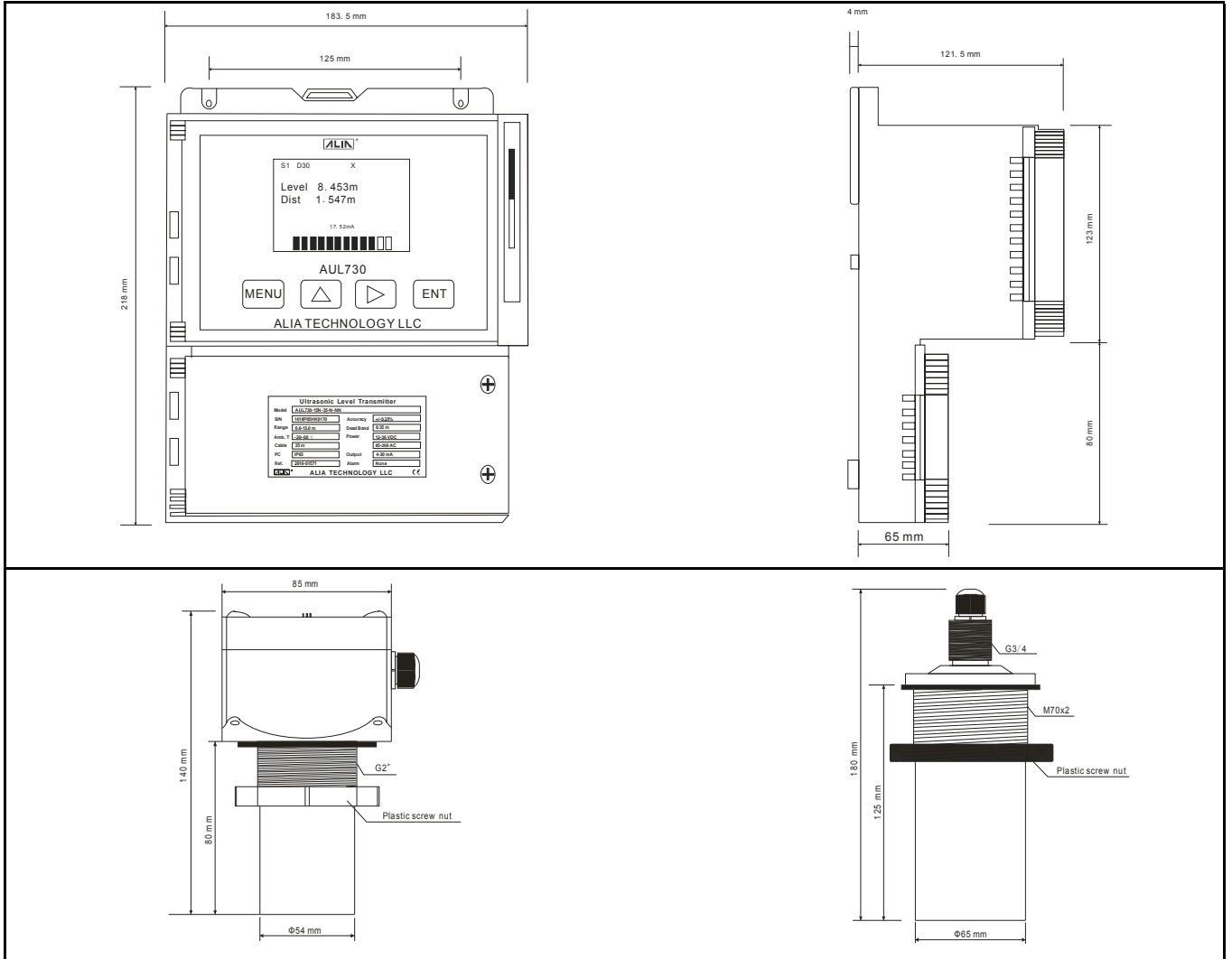
➤ DIMENSIONS (COMPACT VERSION)



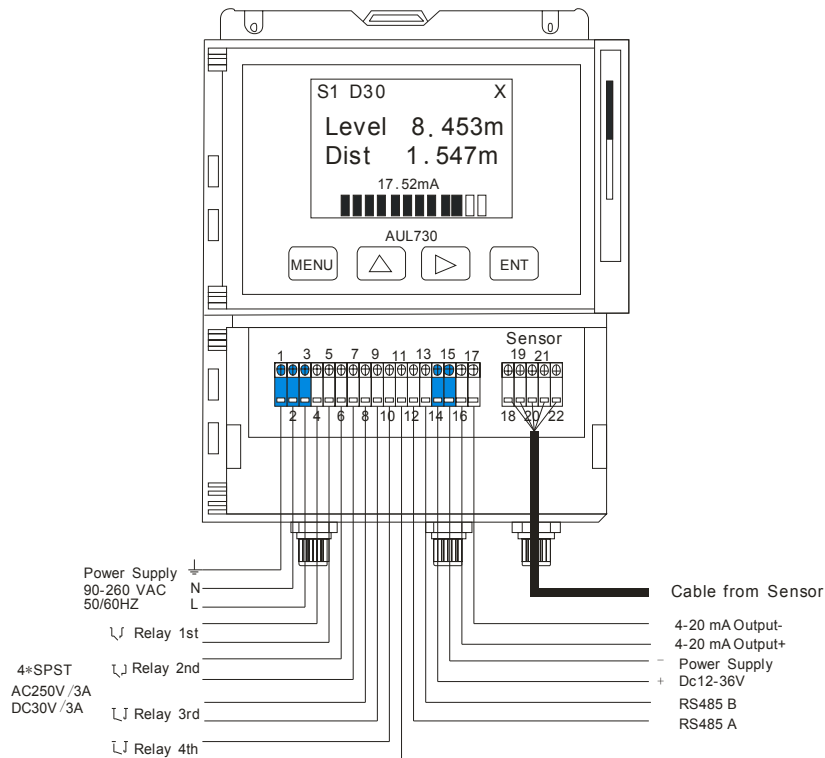
➤ WIRING DIAGRAM (COMPACT VERSION)



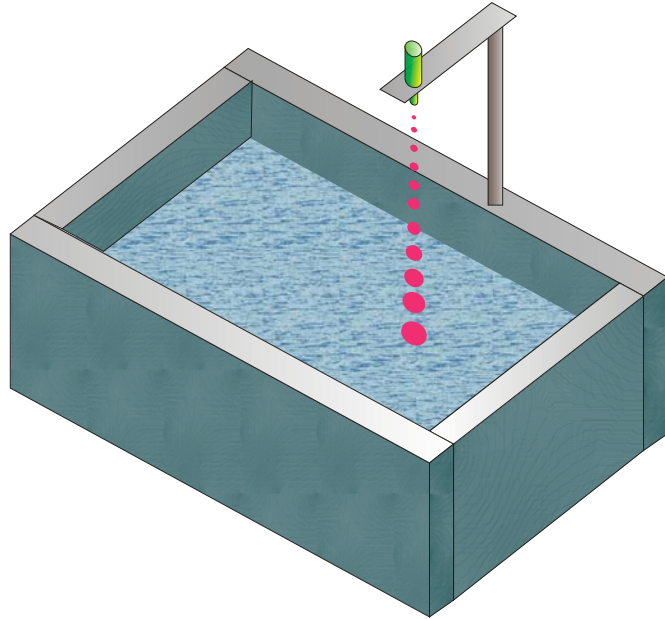
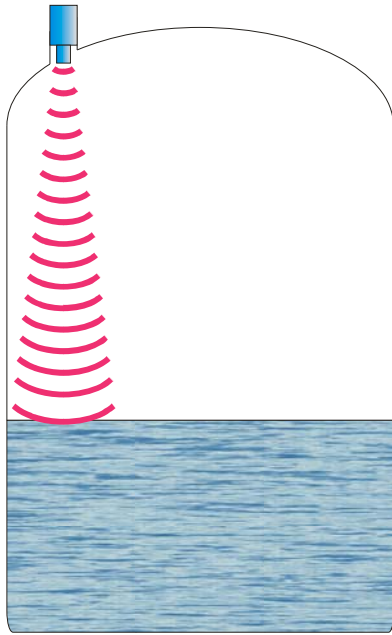
➤ DIMENSIONS (REMOTE VERSION)



➤ WIRING DIAGRAM (REMOTE VERSION)



INSTALLATION



MODEL SELECTION GUIDE

| AUL7301H Series | | | | | | |
|--------------------------------|----|-------|----|----|-----|--|
| Example: AUL7301H-15E-NN-N-HT | | | | | | |
| AUL7301H- | XX | X- | XX | -X | -XX | Description |
| Level Range | 03 | | | | | 3 Meter Maximum |
| | 05 | | | | | 5 Meter Maximum |
| | 10 | | | | | 10 Meter Maximum |
| | 15 | | | | | 15 Meter Maximum |
| | 20 | | | | | 20 Meter Maximum |
| Process Temperature & Material | N- | | | | | -40~60 °C (Polyurethane Sensor Head and ABS Tube) |
| | E- | | | | | -40~60 °C (ETFE Sensor Head and ETFE Tube) |
| | H- | | | | | -40~100 °C (Max. level 10 meter, ETFE Sensor Head and ETFE Tube) |
| | G- | | | | | -40~100 °C (Max. level 10 meter, PTFE Sensor Head and PTFE Tube) |
| Installation & Cable Length | | NN | | | | Compact Version (ABS Housing, 2 wires) |
| | | AL | | | | Compact Version (Aluminum Alloy Housing, 2 wires) |
| | | 10-50 | | | | Remote Version, Cable 10-50 m (ABS Housing, 4 wires) |
| Alarm | | | | -N | | None |
| | | | | -2 | | 2 Alarms (4 wires, Remote Version Only) |
| | | | | -4 | | 4 Alarms (4 wires, Remote Version Only) |
| Option | | | | | -NN | None |
| | | | | | -EX | Explosion Proof (Aluminum Alloy, Compact Version Only, Max. range: 15 m) |
| | | | | | -HT | HART Signal (Compact Version Only) |