

GENERAL

ALIASIGNAL The AST777 Series is a DTU device for wireless data transmission terminal of Internet of Things. It can be used to connect the serial signals of instruments and meters for wireless transmission. With the convenient access to the network, AST777 can be widely applied in industry, agriculture, environment and other fields using wireless transmission. Along with the rise of the Internet, the measurement data can be remotely monitored and analyzed via mobile phone, pad and computer.

FEATURES

- ❑ Industrial wireless data terminal with wide signal coverage
- ❑ Stable & reliable, simple & flexible networking, data transfer delay <1s
- ❑ With the supply of TTL, RS232 & RS485 communication interface
- ❑ Data transmission between converter and server with the built-in protocols of TCP/IP
- ❑ Point-to-point& one-to-multi point data transmission
- ❑ The data terminal has the merit of always on line
- ❑ Function of reconnecting and restarting after the connection is broken
- ❑ Support VPN operation
- ❑ Support the application of building user's own system
- ❑ 128 devices can be online simultaneously

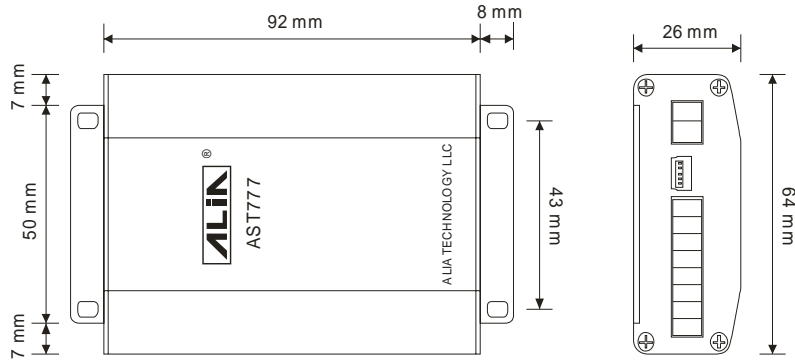
STANDARD SPECIFICATION

- Data Rate : 300-115200 bps (115200 bps of default)
- Serial Port Cache : 10 KB
- SIM Size : Standard SIM (15 * 25 mm)
- Operating Frequency : 4G, 3G, 2G
- Transmission Range : Global frequency band
- Communication Mode
 - GE : Europe, Middle East, Africa, Korea, South-East Asia, India
 - GA : North America
 - GV : Verizon USA
 - GU : Latin America, Australia, New Zealand Taiwan
 - GT : Telstra Australia
 - GJ : Japan
 - GC : China (except for Telecom 2G, 3G)
 - GH : Honkong, Macao
- Wireless Connector : SMA-K (Female)
- Interface : RS485 (MODBUS)
: RS232
: TTL
- Indicator Light : Operational status, fault indication
- Device : 128 (at most)
- Data Transfer Delay : <1 s
- Data Transfer Mode : Point-to-point / one-to-multi point

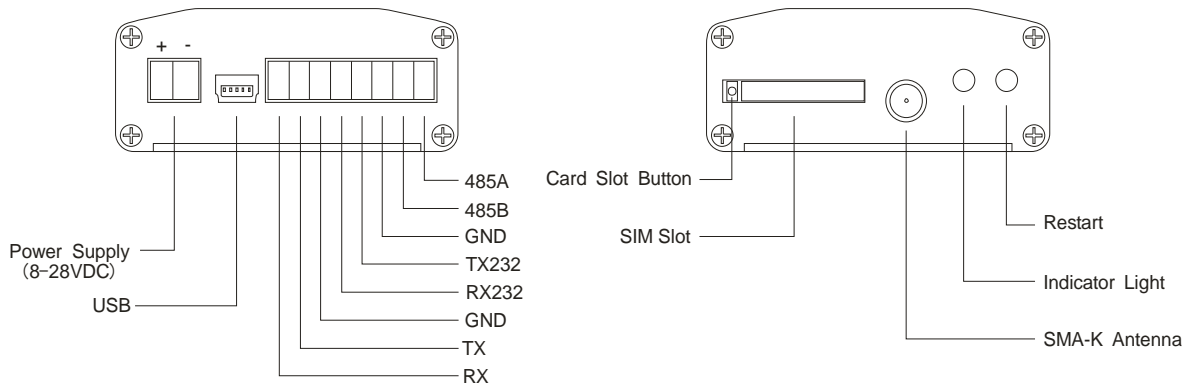
- Power Supply : 8-28 VDC
- Power Consumption
 - Average Current : 40 mA@+24V (transmitting)
 - : 20 mA@+24V (idle)
- Working Temperature : -20~60 °C
- Humidity : Max. 90%
- Storage Temperature : -30~70 °C
- Protection Class : IP30
- Housing Material : Aluminum alloy
- Installation : Wall mounting
- Size : 92 * 64 * 26 mm
- Weight : 0.2 kg
- Accessory : AST777
 - : Magnetic base antenna (1.5 m)
 - : Power adapter
 - : USB cable
- Software : Parameter setting software
 - Function : Parameter management
 - Operating System : All Windows system



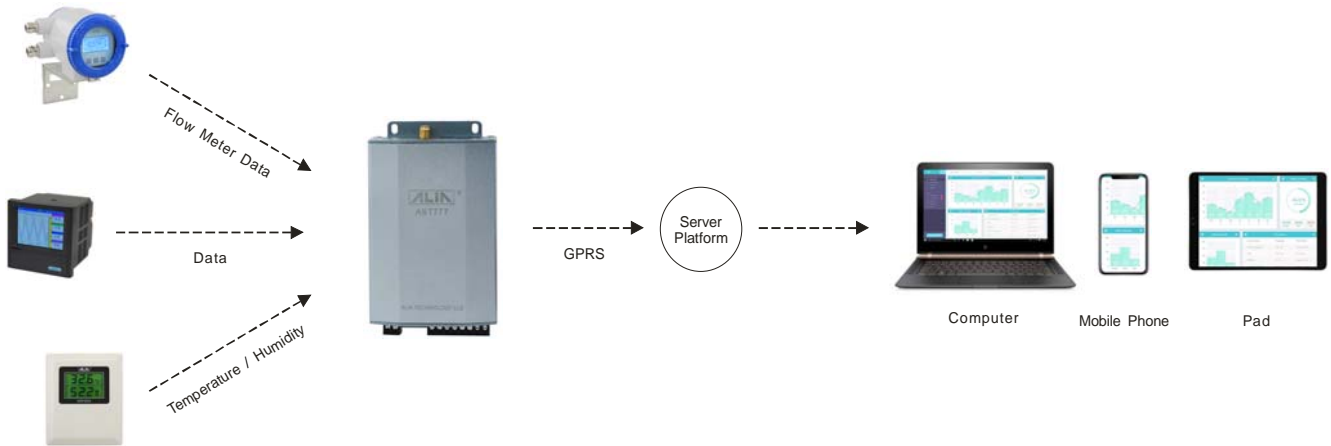
➤ DIMENSIONS



➤ INTERFACE DEFINITION



➤ REMOTE MONITORING-NETWORKING SYSTEM



➤ MODEL SELECTION GUIDE

AST777 Series		
Example: AST777-GE		
AST777-	XX	Description
Communication Mode	GE	Full Netcom 4G (Europe, Middle East, Africa, Korea, South-East Asia, India)
	GA	Full Netcom 4G (North America)
	GV	Full Netcom 4G (Verizon USA)
	GU	Full Netcom 4G (Latin America, Australia, New Zealand, Taiwan)
	GT	Full Netcom 4G (Telstra Australia)
	GJ	Full Netcom 4G (Japan)
	GC	Full Netcom 4G (China); except for Telecom 2G, 3G
	GH	Full Netcom 4G (Honkong, Macao)