



GENERAL

ALIAEMT The ARH9501H Series Wall / Duct mount Relative Humidity Transmitter is the most versatile transmitter in the market. ARH9501H combines high accuracy, stability and reliable operation, making these products the ideal choice for demanding applications.

FEATURES

- ❑ Two Line LED (LCD) display, directly read the RH & temperature
- ❑ Accuracy up to +/-2% RH
- ❑ DIP switch selectable signal input of Temperature
- ❑ 4 wires, 4-20 mA * 2 for both Humidity & Temperature output
- ❑ Small, light and easy to be installed
- ❑ Full 0-100% RH measurement
- ❑ RH 0.1%, Temperature 0.1 °C Resolution
- ❑ 8 Seconds fast response time

STANDARD SPECIFICATION

- Measuring Range
 - Relative Humidity : 0-100% RH
 - Temperature : 0~50 / -20~80 / -40~60 °C
- Accuracy
 - Relative Humidity : +/-2% RH@25 °C
 - Temperature : +/-0.3 °C@25 °C
- Resolution
 - Relative Humidity : 0.1% RH
 - Temperature : 0.1 °C
- Repeatability : +/-0.1% Typical
- Humidity Drift : <0.5% RH / Year
- Temperature Drift : <0.1 °C / Year
- Operating Temperature : -20~70 °C
- Storage Temperature : -10~60 °C
- Storage Humidity : 0-90% RH
- Material
 - Electrical Housing : ABS (Duct) / PC (Wall)
 - Aluminum Alloy (Duct, IP65)
 - Probe : ABS (Duct), S.S. 316 (Duct, IP65)
 - Flange : PC (Polycarbonate)
 - Sensor Housing : PC (Polycarbonate)
- Protection Class
 - Duct Mount : IP54 / IP65
 - Wall Mount : IP44
- Display : RH: 0.0-99.9% LED (LCD)
: Temperature: +/-99.9 °C
- Output
 - Relative Humidity : 4-20 mA
 - Temperature : 4-20 mA
 - Load : Rohm= (VDC-15) * 50
- Response Time : 8 Seconds
- Turn on Time : 3 Seconds
- Power Supply : 15-36 VDC
- Power Consumption : <50 mA@24 VDC
- Electrical Connections : D Type: PG9, P Type: M20
: Screw Terminal Block (Wall Mount)
- Screw Terminal : 0.5-1.5 mm²
- Dimensions
 - Duct Mount : 85 mm (L) * 85 mm (W) * 241.4 mm (H)
 - 100 mm (L) * 100 mm (W) * 278.4 mm (H)
 - Wall Mount : 100 mm (L) * 84 mm (W) * 23 mm (D)
- Weight
 - ARH9501H-D : 146 g
 - ARH9501H-W : 83 g
 - ARH9501H-P : 810 g
- EMI / RFI Effect : Follow SAMA PMC 33.1 from 20-1000 MHz and for field strengths up to 30 V/m
- Vibration Effect : +/-0.1% of Full Scale Per g to 200 Hz in any axis



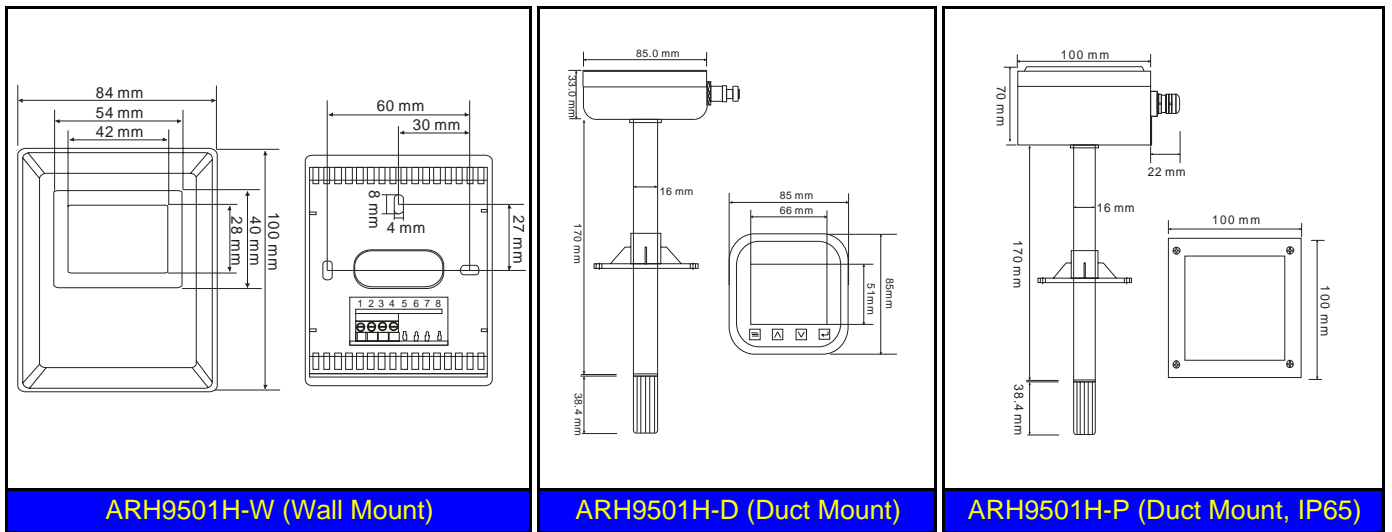
ALIA TECHNOLOGY LLC

633 W. 5th Street, 26th Floor, Los Angeles, CA 90071, USA
TEL : + 1 - 213 - 533 - 4139 FAX : + 1 - 213 - 223 - 2317

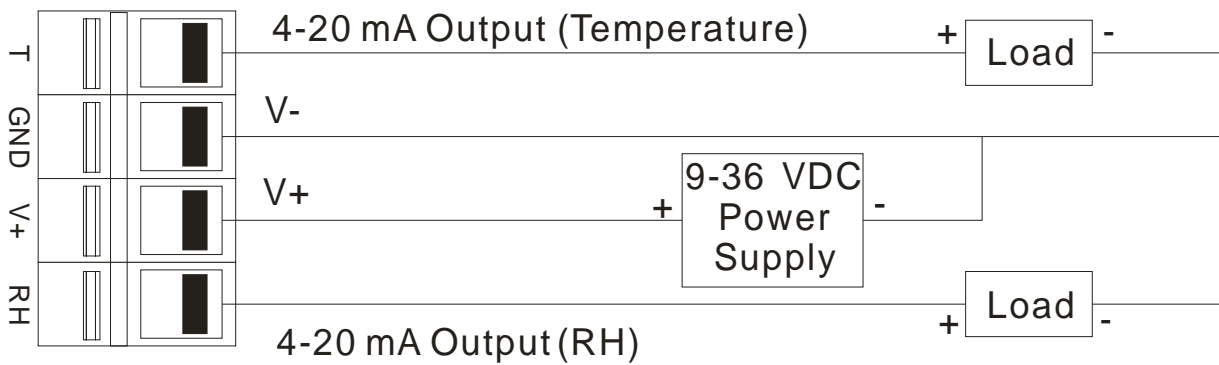


URL : www.alia-inc.com
E-mail : alia@alia-inc.com
ARH9501HV1.2.3.r1.A4.en

➤ DIMENSIONS



➤ WIRING DIAGRAM



➤ MODEL SELECTION GUIDE

ARH9501H Series					
Example: ARH9501H-DN1-N					
ARH9501H-	X	X	X	-X	Description
Installation	W				Wall Mount
	D				Duct Mount
	P				Duct Mount, IP65, Aluminum Housing, Stainless steel 316 Tube, ** IP65 without Display
Display	N				None
	D				Two Line LED (LCD), 3 Digit Temperature, 3 Digit Humidity (Only for Installation D & W)
Temperature Range		1			0~50 °C
			2		-20~80 °C
				3	-40~60 °C
Option			-N		Standard
			-S		Remote with 10 m cable (Only for Installation code: D=Duct Mount)