

GENERAL

ALIAMAG The AMF3011H Series is a threaded type electromagnetic flowmeter ideal for conductive liquids. It comes in sizes from 4-40 mm.

The AMF3011H is widely used for tap-water, waste water, food & beverage, pulp & paper and many other industrial fluid.

AMF3011H Series electromagnetic flowmeter could be used in compact or remote model with AMC Series converter of electromagnetic flowmeter.

FEATURES

- Light and compact version
- Flow velocity range: 0-12 m/s, precisely in low flow applications
- Interface thread piping
- FEP Liner suitable for vacuum tube
- High accuracy of +/-0.4% value of reading (or +/-0.2% value of reading)
- With Forward / Reverse flowrate measurement function



STANDARD SPECIFICATION

- Size : FEP: 4, 10, 15, 25 mm
: PU: 10, 15, 20, 25, 32, 40 mm
- Measuring Range : Velocity 0-0.25 m/s Min.
0-12 m/s Max.
- Material
 - Tube & Connection : Stainless Steel 304
 - Coil Housing : Carbon Steel (Standard)
 - Liner : PU / FEP
 - Electrode : Stainless Steel 316L
 - : Titanium
 - : Hastelloy B
 - : Hastelloy C
 - : Tantalum
 - : Platinum (25, 32, 40 mm Only)
- Flow Range
 - 4 mm : 0-11.3 L/hr ~ 0-543 L/hr
 - 10 mm : 0-71 L/hr ~ 0-3,393 L/hr
 - 15 mm : 0-159 L/hr ~ 0-7,634 L/hr
 - 20 mm : 0-283 L/hr ~ 0-13,571 L/hr
 - 25 mm : 0-442 L/hr ~ 0-21,205 L/hr
 - 32 mm : 0-724 L/hr ~ 0-34,743 L/hr
 - 40 mm : 0-1,131 L/hr ~ 0-54,286 L/hr
- Cable Entry : Standard: M20 Option: 1/2" NPTF
- Ambient Temperature : -25 ~ 60 °C
- Process Connection : Screw thread (BSPP)
- Grounding Resistance : Must be less than 10 Ω
- Accuracy : +/-0.4% of reading (Velocity ≥ 0.5 m/s)
: +/-0.2% of reading
(Suitable for AMC32001H / 3200E converter
: +/-0.0025 m/s (Velocity < 0.5 m/s)
- Temperature
 - Compact : -10 ~ 80 °C
 - Remote : -20 ~ 120 °C (Liner: FEP)
: -10 ~ 80 °C (Liner: PU)
- Max. Pressure : 16 kgf/cm²
- Explosion Proof : Ex d ia [ia] q IIC T6
(with AMC32001H only)
- Protection Class : IP67
- Conductivity : More than 5 μS/cm

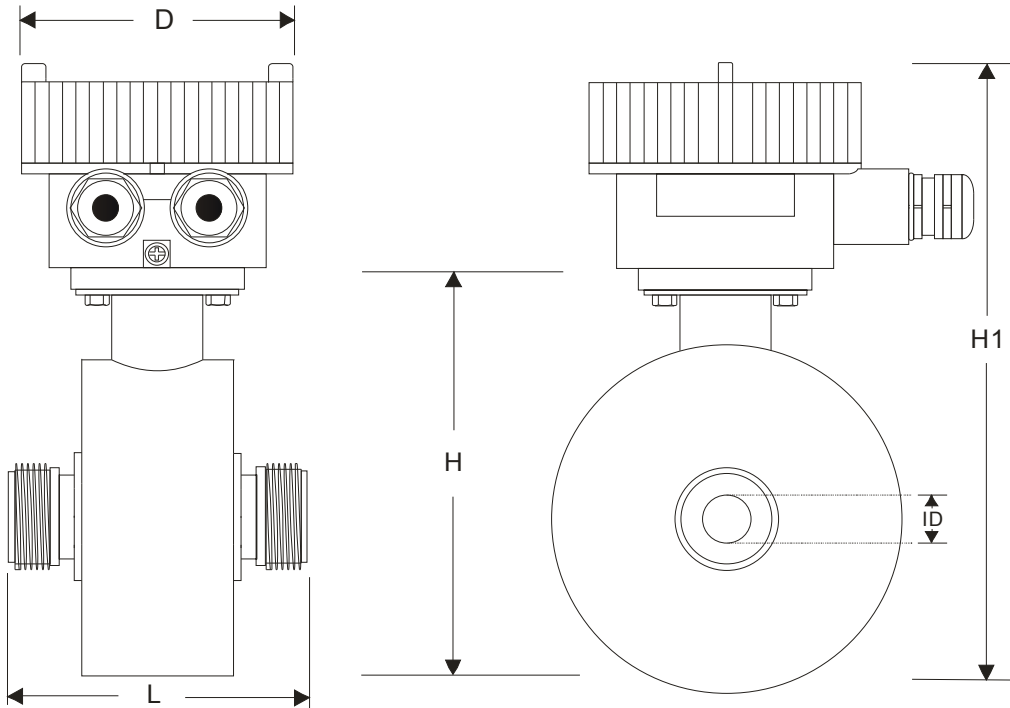


FLOW RANGE

Unit: L/hr

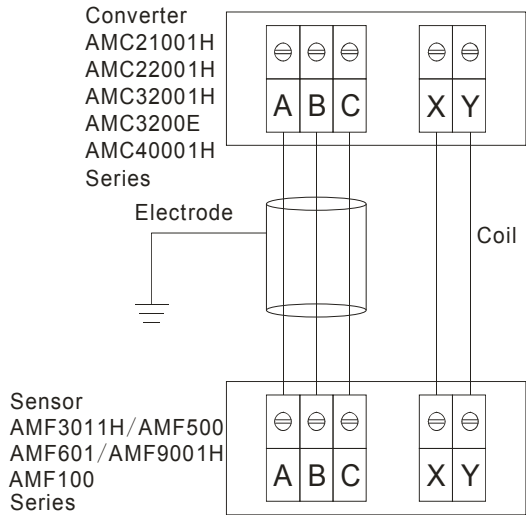
Normal Size mm	Flow Range & Velocity Table						
	Min. 0-0.25 m/s	1.0 m/s	2.0 m/s	3.0 m/s	5.0 m/s	10.0 m/s	Max. 0-12 m/s
4	0 to 11.3	45	90	136	226	452	0 to 543
10	0 to 71	283	565	848	1,414	2,827	0 to 3,393
15	0 to 159	636	1,272	1,908	3,181	6,362	0 to 7,634
20	0 to 283	1,131	2,262	3,393	5,655	11,309	0 to 13,571
25	0 to 442	1,767	3,534	5,301	8,836	17,671	0 to 21,205
32	0 to 724	2,895	5,790	8,686	14,476	28,952	0 to 34,743
40	0 to 1,131	4,524	9,048	13,571	22,619	45,238	0 to 54,286

DIMENSIONS



Size	Connection	Dimensions (mm)				Weight
		L	D	H	H1	
ID (mm)		FEP / PU	FEP / PU	FEP / PU	FEP / PU	FEP / PU
4	1/2" BSPP	90 / X	100	140 / X	219 / X	2.0 / X
10	3/4" BSPP	100 / 100	100	145 / 137	224 / 216	2.2 / 2.2
15	3/4" BSPP	110 / 100	100	145 / 137	224 / 216	2.5 / 2.4
20	1" BSPP	X / 100	100	X / 137	X / 216	X / 2.5
25	1-1/4" BSPP	110 / 100	100	165 / 137	244 / 216	2.5 / 2.5
32	1-1/2" BSPP	X / 100	100	X / 142	X / 221	X / 2.8
40	2" BSPP	X / 100	100	X / 150	X / 229	X / 3.1

WIRING DIAGRAM



MODEL SELECTION GUIDE

AMF3011H Series						
Example: AMF3011H-O15-S-050-N						
AMF3011H-	X	XX	-X	XXX	-X	Description
Liner	O					PU / Polyurethane (10, 15, 20, 25, 32, 40 mm)
	F					FEP (4, 10, 15, 25 mm)
Size	04-40					4, 10, 15, 20, 25, 32, 40 mm
Electrode Material			-S			Stainless Steel 316L
			-T			Titanium
			-B			Hastelloy B
			-C			Hastelloy C
			-A			Tantalum
			-P			Platinum (25, 32, 40 mm only)
			-Z			Others
Installation & Cable Length			NNN			Compact Version
			010-300			Remote Version, Cable 10-300 m
Option					-N	None
					-X	Explosion Proof, Ex d ia [ia] q IIC T6 (with AMC32001H only)
					-PT	Cable Entry 1/2" NPTF

➤ BUILD OPTIONS-(COMPACT OR REMOTE)

