



ALIAMAG

Converter For Electromagnetic Flowmeter

Model AMC3200DF Series

GENERAL

ALIAMAG The AMC3200DF Series converter features in dual frequency excitation. The reduced noise and improved signal to noise ratio make it more idea for slurry measurement in various industries such as papermaking and chemistry. The unit features multiple display parameters including flow rate, flow total, diagnostics, programming and troubleshooting. It's equipped with bluetooth, HART and MODBUS communication functions.

FEATURES

- Dual Frequency Excitation Method
- Three line LCD display Flow Rate / Totalizer
- Accuracy of +/-0.4% value of reading
- Bi-directional flow measurement, current and pulse output
- Explosion Proof, Ex d ia [ia] q IIC T6
- Bluetooth / MODBUS / HART communication
- Converter can be rotated at four directions for easy installation



STANDARD SPECIFICATION

- | | | | |
|-------------------|--|------------------------|--|
| ● Excitation | : Dual Frequency Excitation | ● Keypad | : 3 Internal keys for programming and display control |
| ● Display | : 3 Lines LCD with illumination | ● Data Storage | : Operation parameters and totalizer figures are stored by EEPROM for more than 10 years |
| Line 1 | : 9 Digit totalizer for forward flow | ● Low Flow Cutoff | : 0-9.9% |
| | : 9 Digit totalizer for reverse flow | ● Damping | : 0-99 Seconds |
| | : 9 Digit totalizer for difference | ● Density Setting | : 0.001-9.999 g/cm ³ |
| Line 2 | : 5 Digit flowrate / velocity / % / mA / Hz | ● Self Diagnosis | : The following error messages are displayed if failure occurs |
| Line 3 | : Parameter / Query / Clr tot / Query LOG | | -Abnormal sample |
| | Alarm, Guidance | | -Pulse width |
| Totalizer Unit | : t, kg, g, lb, Ston, Lton, m ³ , L, mL, lgal, gal, Mgal, bbl, ft ³ , a-ft | | -Overanged output |
| Time Unit | : sec, min, hour, day | | -Internal error |
| ● Measuring Range | : Min. 0-0.15 m/s | | -Overflow |
| | : Max. 0-15 m/s | | -Empty pipe |
| ● Accuracy | : +/-0.4% of reading (Velocity≥1.0 m/s) | ● Cable Entry | : Standard: M20 Option: 1/2" NPTF |
| | : +/-0.002 m/s (Velocity: 0.3...1.0 m/s) | ● Protection Class | : IP67, Explosion Proof, Ex d ia [ia] q IIC T6 |
| ● Repeatability | : +/-0.2% of reading | ● Ambient Temperature | : -25~65 °C |
| ● Current Output | : 4-20 mA (Isolated) | ● Material | : Aluminum Alloy |
| | Load : Max. 500 Ω | ● Power Supply | : 90-260 VAC, 50/60 Hz |
| ● Pulse Output | : Open collector | | : 24 VDC +/-10% (Option) |
| | Rating : 3-30 VDC, 50 mA Max. | ● Power Consumption | : 6-8 W (Dependent on sensor size) |
| ● Pulse Rate | : 1)Scaled pulse (mL/Pulse, L/Pulse, Other) | ● Weight | : 4.5 kg |
| | : 2)Frequency: 0-5000 Hz | ● Mounting | : Bracket on 2" pipe |
| ● Pulse Width | : 50% of band width | ● AMF Collocation Type | : AMF900, AMF601, AMF500 |
| ● Alarm | : High / Low with open collector output | ● Sensor Size | : DN50-DN450 |
| | Rating : 3-30 VDC, 50 mA Max. | | |
| ● Communication | : Bluetooth (Android) Standard | | |
| | : RS485 (MODBUS Protocol) Standard | | |
| | : HART signal (Compatible) Optional | | |



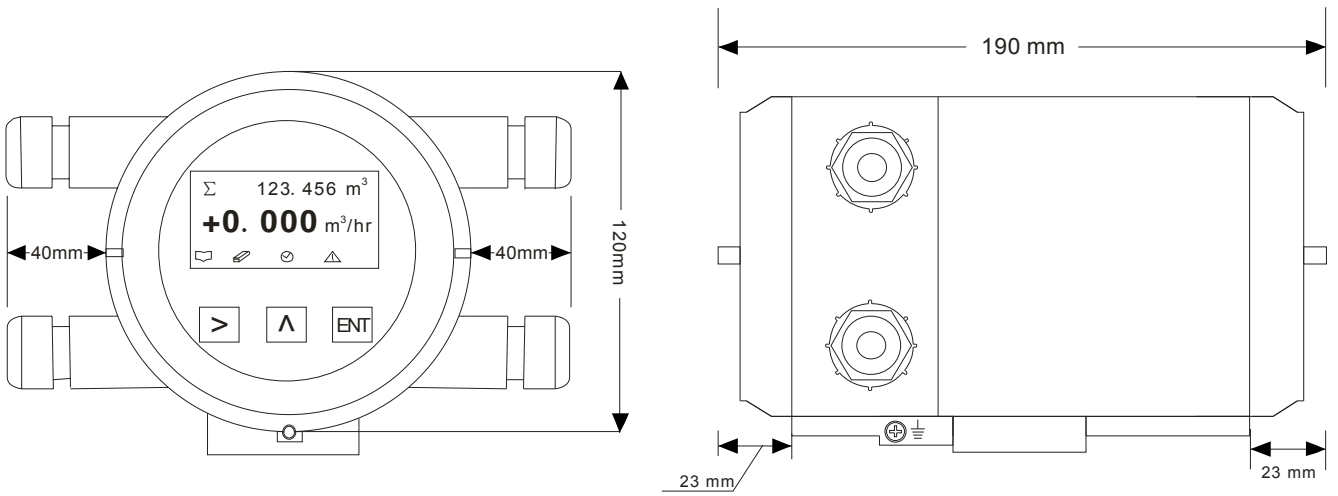
ALIA TECHNOLOGY LLC

633 W. 5th Street, 26th Floor, Los Angeles, CA 90071, USA
 TEL : + 1 - 213 - 533 - 4139 FAX : + 1 - 213 - 223 - 2317

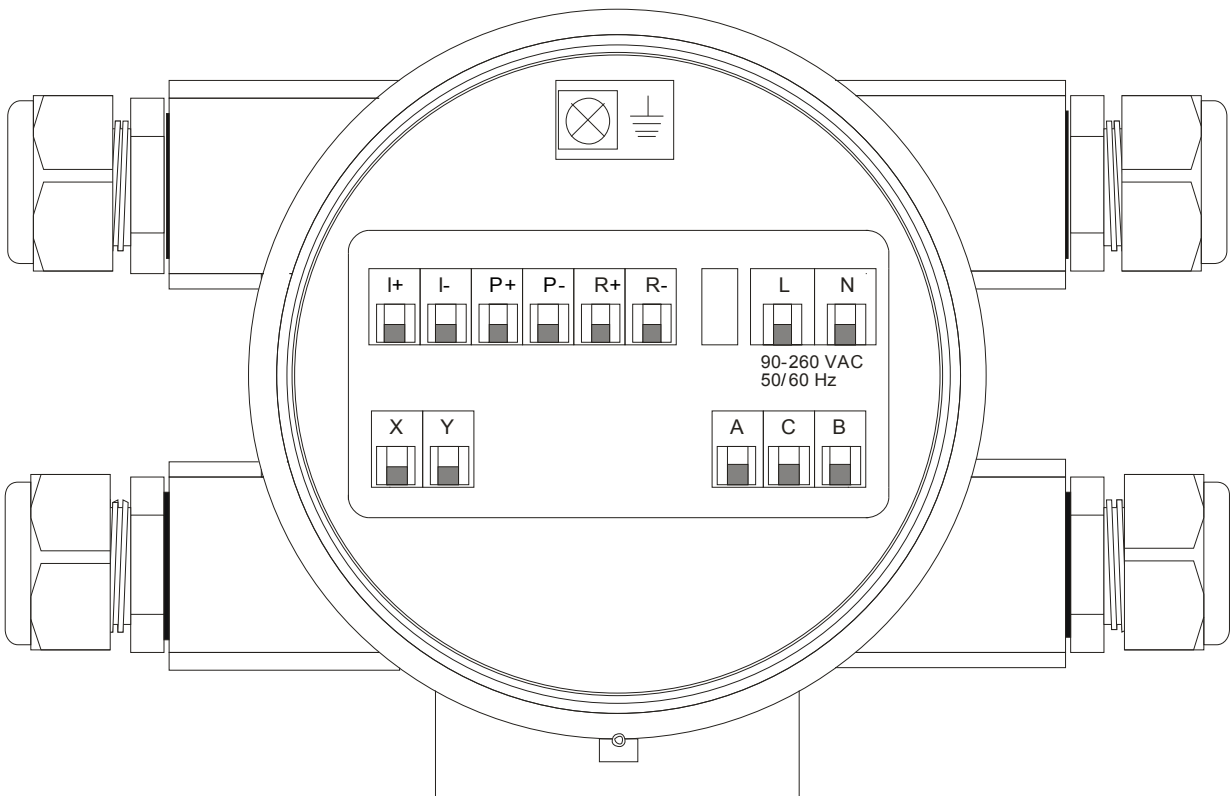


URL : www.alia-inc.com
 E-mail : alia@alia-inc.com
 AMC3200DFV1.2.3.r1.A4.en

➤ DIMENSIONS



➤ WIRING DIAGRAM

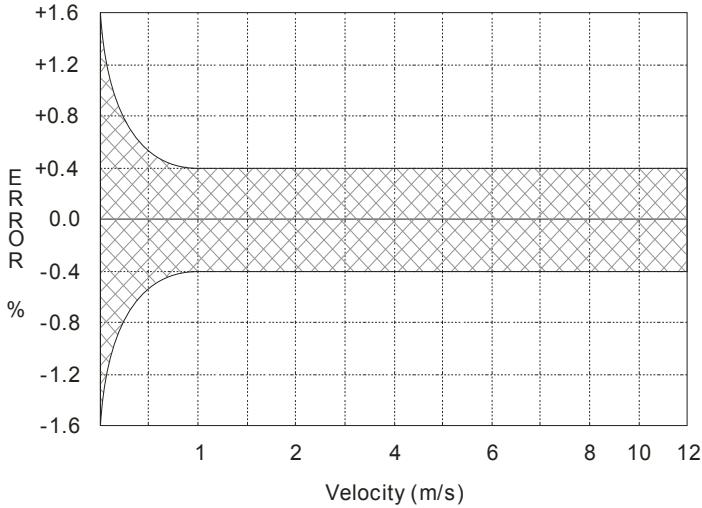


I+: 4-20 mA Output +
I-: 4-20 mA Output -

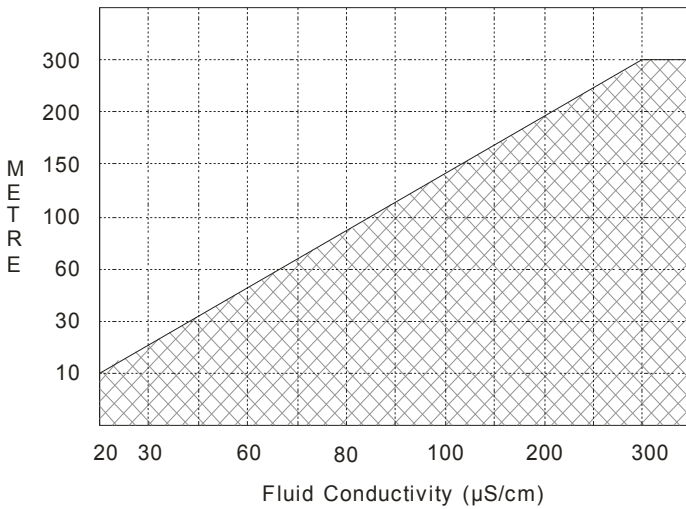
P+: Pulse Output +
P-: Pulse Output -

R+: RS485 Output +
R-: RS485 Output -

➤ ACCURACY



➤ CABLE LENGTH BETWEEN SENSOR & CONVERTER



➤ MODEL SELECTION GUIDE

AMC3200DF Series					
Example: AMC3200DF-AC-CP-EX-HT/PT					
AMC3200DF-	XX-	XX-	XX-	XX	Description
Power Supply	AC-				90-260 VAC, 50/60 Hz
	DC-				24 VDC, +/-10%
Mounting	CP-				Compact with Sensor
	S2-				Remote, 2" Mounting Bracket or Wall Mounting
Protection Class	NN-				IP67
	EX-				Explosion Proof, Ex d ia [ia] q IIC T6
Option	NN				None
	HT				HART Signal (Compatible)
	PT				Cable Entry 1/2" NPTF

➤ BUILD OPTIONS-(COMPACT OR REMOTE)

