

## GENERAL

**ALIASONIC** AUF770 sanitary type ultrasonic flowmeter adopts materials and new processes that meet the sanitary requirements of food industry. It uses stainless steel housing and clamp connection, which is easy to disassembly and cleaning. And it can effectively prevent pollution during using and the residues in the measuring tube. AUF770 can be widely used in food production process such as mineral water, soy sauce, jam, beer, juice, rice wine and milk, as well as in the fields of sanitation and chemical industry.

## FEATURES

- Clamp type sensor, non-contact measurement
- 4 line LCD display with flowrate, totalizer & signal condition
- Stores up 64 Day/Month/Year Totalizer daily value
- Batch control function
- Wide range velocities of 0.01~±32 m/s
- High accuracy of ±0.5% of reading
- IDF Tri-Clamp or Union screw Connection
- Data logger function, include date, totalizer, signal condition...etc

## STANDARD SPECIFICATION

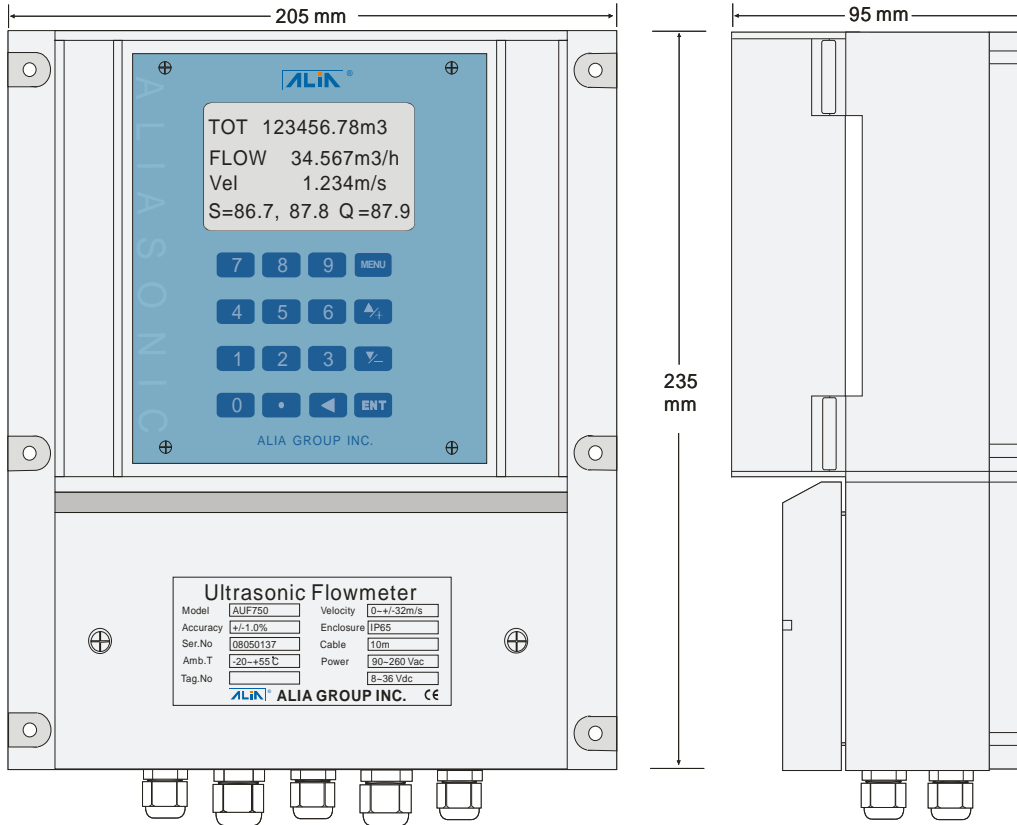
- Measuring Principle : Transit time difference
- Pipe Size : 25 mm~200 mm (1"~ 8")
- Body Material
  - Measuring Tube : SUS304/SUS316/SUS316L
  - Housing : SUS304
  - Separation box : Aluminum alloy
- Process Connection : IDF Tri-Clamp or Screw Union
  - Tri-Clamp Standard : HAB / DIN32676 / ISO2852
  - Screw Union Standard : DIN11851
- Max. Pressure : 1.0 MPa
- Max. Temperature : -40~+110 °C (Standard)  
: -40~+160 °C (Optional)
- Display : 4 Line LCD with illumination
  - Flowrate : 5 digit with decimal point
  - Totalizer : 8 digit, Forward, Reverse & Net values.
  - Engineer Unit : M3, Liter, US Gallon, Imperial Gallon,  
Million Gallon, Cubic Feet, US Barrels,  
Imperial Barrels, Oil Barrel
  - Time Unit : Second, Minute, Hour, Day
  - Other : Velocity, Date, Time, Signal condition.
- Accuracy : +/- 0.5% of reading (0.5 ~ 30 m/s)
- Repeatability : +/-0.2% of reading



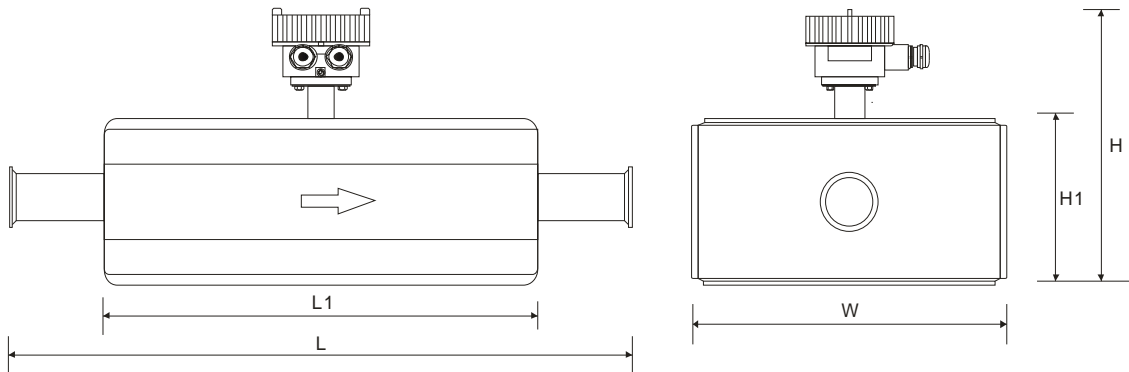
- Keypad : 16 Key with tactile action
- Response Time : <1s
- Resolution : 0.0001 m/s
- Flow Velocity : 0.01 ~ +/- 32 m/s
- Ambient Temperature : -20 ~ +50 °C
- Transmitter Mounting : Wall mounting
- Max.Cable Length : 300 M
- Power Consumption : <2W
- Power Supply : 85 ~ 265VAC 50/60 Hz or 8-36VDC
- Data Storage : Operation parameters and totalizer figures are stored by EEPROM for more than 10 years
- Current Output : 4-20 mA / 0-20 mA / 20-4-20mA
- Pulse Output : 1-9999Hz
- Data Logger : Limitless overwriting in 64 columns  
(Flowrate, totalizer, time, date included)
- Alarm : High/Low with buzzer  
: 5VDC 1A / 125VAC 0.5A
- Communication : RS-232 / RS-485
- Protection Class
  - Converter : IP65
  - Sensor : IP67

**➤ DIMENSIONS**

**• Converter Dimensions**

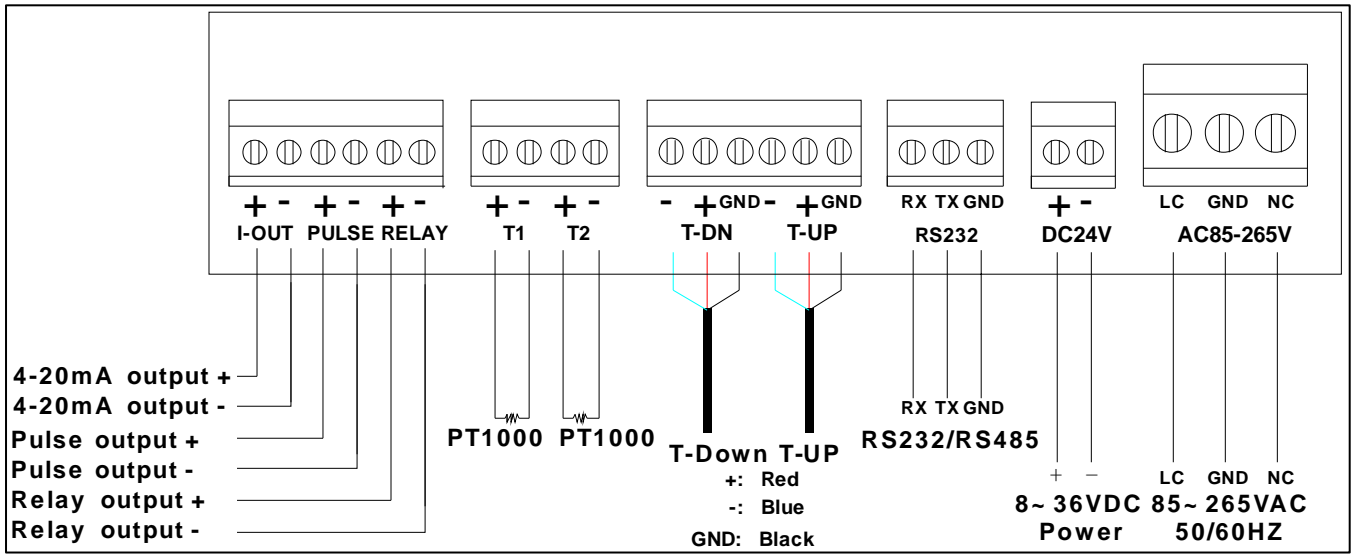


**• Sensor Dimensions**

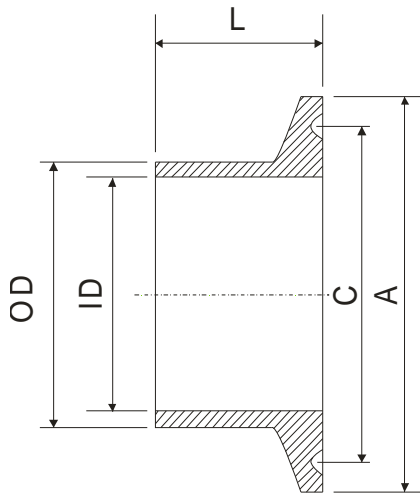


Normal Size		Dimensions (mm)					Weight
mm	Inch	L	L1	W	H1	H	Kg
25	1"	300	200	160	70	200	5
32	1-1/4"	300	200	170	80	210	8
40	1-1/2"	310	210	180	90	220	10
50	2"	370	270	220	110	240	12
65	2-1/2"	390	285	235	125	255	13
80	3"	400	300	250	150	280	15
100	4"	420	320	270	170	300	17
125	5"	445	345	295	190	320	20
150	6"	470	370	320	220	350	23
200	8"	520	420	370	250	380	28

➤ WIRING DIAGRAM



➤ TRI - CLAMP SPECIFICATIONS

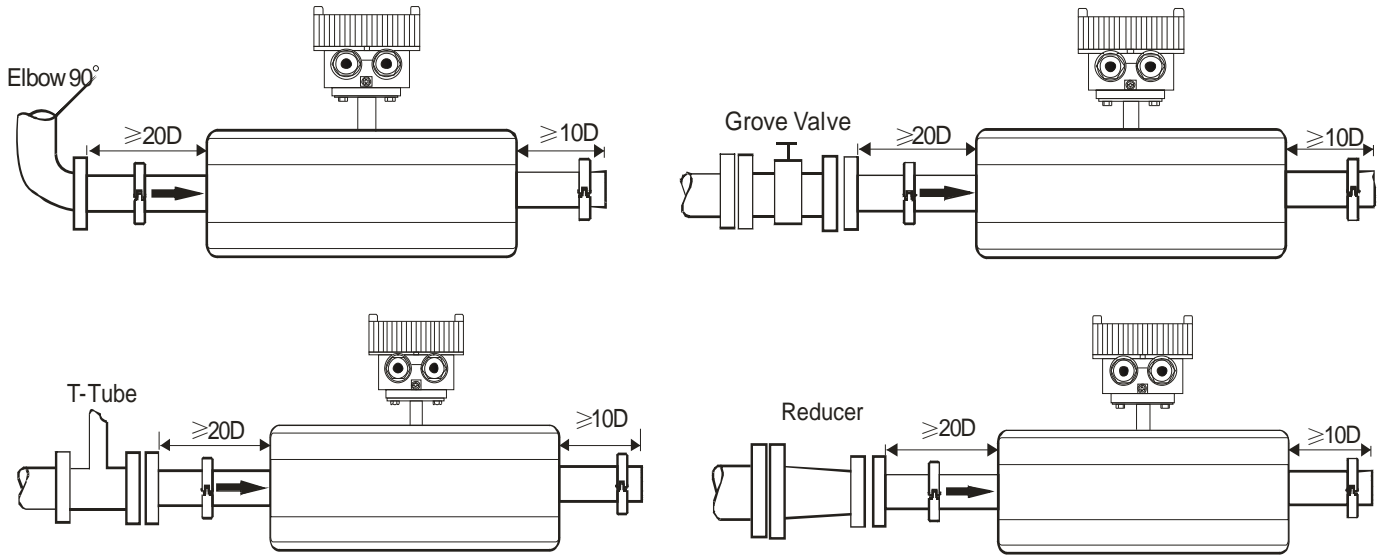


HDB(DIN 32676)										
Pipe Size	1"	1-1/4"	1-1/2"	2"	2-1/2"	3"	4"	5"	6"	8"
25	25	32	40	50	65	80	100	125	150	200
ID	26.0	32.0	38.0	50.0	66.0	81.0	100.0	125.0	150.0	200.0
OD	30.0	36.0	42.0	54.0	70.0	85.0	104.0	129.0	154.0	204.0
A	50.5	50.5	50.5	64.0	91.0	106.0	119.0	155.0	183.0	233.5
C	43.5	43.5	43.5	56.5	83.5	97.0	110.0	146.0	174.0	225.0

HKB(ISO 2852)										
Pipe Size	1"	1-1/4"	1-1/2"	2"	2-1/2"	3"	4"	5"	6"	8"
25	25	32	40	50	65	80	100	125	150	200
ID	22.6	31.3	35.6	48.6	60.3	72.9	97.6	110.3	135.7	213.9
OD	25.6	34.3	38.6	51.6	64.1	76.7	102.5	115.6	141.2	221.2
A	50.5	50.5	50.5	64.0	77.5	91.0	119.0	130.0	155.0	233.5
C	43.5	43.5	43.5	56.5	70.5	83.5	110.0	122.0	146.0	225.0

HAB										
Pipe Size	1"	1-1/4"	1-1/2"	2"	2-1/2"	3"	4"	5"	6"	8"
25	25		40	50	65	80	100			
ID	22.1		34.8	47.5	60.2	72.9	97.4			
OD	25.4		38.1	50.8	63.5	76.2	101.6			
A	50.4		50.4	64	77.4	91	118.9			
C	43.6		43.6	56.3	70.6	83.3	110.3			

➤ **CONDITIONS ON STRAIGHT PIPT**



➤ **ACCESSORIES**



➤ **MODEL SELECTION GUIDE**

AUF770 Series							
Example: AUF770-S6-050-A-N-005-NN (AUF770 Converter+SUS316 body (DN50, Tri-Clamps,HAB)+Cable 5M+85-265 VAC or 8-36VDC Power)							
AUF770-	XX	-XXX	-X	-X	-XXX	-NN	
Tube	S4						SUS304
	S6						SUS316
	SL						SUS316L
Size		-25~200					25, 32, 40, 50, 65, 80, 100, 125, 150, 200
Process Connection			-A				Tri-Clamps,HAB
			-D				Tri-Clamps,HDB (DIN32676)
			-K				Tri-Clamps,HKB (ISO2852)
			-S				Screw Unions (DIN 11851)
Max. Temperature			-N				-40~+110 °C
			-H				-40~+160 °C
Signal Cable Length					-NNN		3-300M
Power Supply						- NN	85-265VAC, 50/60 Hz or 8-36VDC