



ALIASONIC

Flange Type Ultrasonic Flowmeter

Model AUF760 Series

GENERAL

ALIASONIC AUF760 series is a fixed mounted, transit-time ultrasonic flowmeter, flange end transducers for non-invasive liquid measurement. Our microprocessor based, user friendly, field programmable flow measurement technique allows no interruption of the process flow and has low installation costs.

FEATURES

- ❑ 4 line LCD display with flowrate, totalizer & signal condition
- ❑ Stores up 64 Day/Month/Year Totalizer daily value
- ❑ Batch control function
- ❑ Wide range velocities of 0.01 ~ +/- 32 m/s
- ❑ Pipe size from 100 to 1000 mm
- ❑ High accuracy of +/-1% of reading
- ❑ Data logger function, include date, totalizer, signal condition... etc
- ❑ Response time less than 1 second



SPECIFICATION

- Measuring Principle : Transit time difference
- Pipe Size : 100 mm ~ 1000 mm
: 4" ~ 40"
- Material : Carbon Steel / Stainless Steel 304
: Stainless Steel316
- Process Connection : Flange
- Flanges type : JIS 7.5K / JIS 10K / JIS 20K / JIS 40K
ANSI 150# / ANSI 300# / ANSI 600#
DIN PN 10 / PN 16 / PN25 / PN 40
- Max. Pressure : 40 Kg/cm2
- Process Temperature : -20 ~ +110 °C
- Display : 4 Line LCD with illumination.
Flowrate : 5 digit with decimal point
Totalizer : 8 digit, Forward, Reverse & Net values.
Engineer Unit : M3, Liter, US Gallon, Imperial Gallon,
Million Gallon, Cubic Feet, US Barrels,
Imperial Barrels, Oil Barrel.
Time Unit : Second, Minute, Hour, Day.
Other : Velocity, Date, Time, Signal condition.
- Accuracy : +/- 1.0% of reading
- Repeatability : +/-0.2% of reading
- Keypad : 16 Key with tactile action
- Response Time : Less than 1 second
- Flow Velocity : 0.01 ~ +/- 32 m/s
- Resolution : 0.0001 m/s
- Ambient Temperature : -20 ~ +50 °C
- Mounting : wall mounting
- Max. Cable Length : 150 M
- Power Consumption : Less than 2W
- Power Supply : 90 ~ 260Vac 50/60 Hz/ 24Vdc
- Data Storage : Operation parameters and totalization
date are stored by EEPROM for more
than 10 years
- Output : 4-20 mA or 0-20 mA
- Pulse Output : 1- 9999 Hz
- Data Logger : 64 data include flowrate, totalizer,
time, date.
- Alarm : High/Low with buzzer
- Communication : RS-232
- Dimension : 235 * 205 * 95 mm
- Weight : 1.5 Kg (Converter)
- Enclosure

Converter : IP65

Sensor : IP68(Submersible)



ALIA GROUP INC.

113 Barksdale Professional Center, Newark, DE 19711, USA
TEL : + 1 - 302 - 213 - 0106 FAX : + 1 - 302 - 213 - 0107

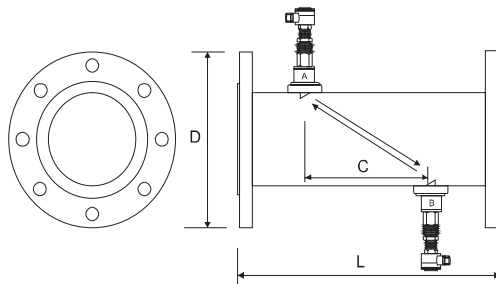
URL : www.alia-inc.com
E-mail : alia@alia-inc.com
AUF760V1.1.5en

↗ FLOW RANGE

Unit: M³/Hr

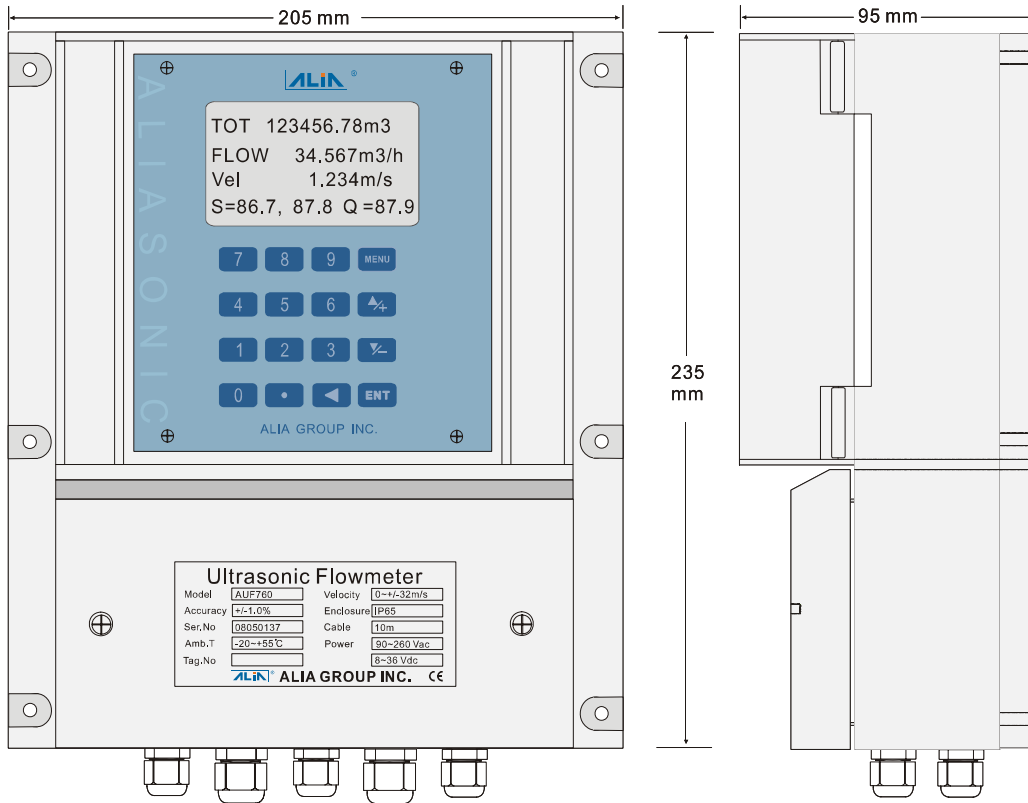
Normal Size		Flow Range & Velocity Table					
mm	Inch	Min. 0 - 0.5M/S	1.0 M/S	2.0 M/S	5.0 M/S	10.0 M/S	Max. 0 - 30 M/S
100	4"	0 to 14	28	57	141	283	0 to 848
125	5"	0 to 22	44	88	221	442	0 to 1325
150	6"	0 to 32	64	127	318	636	0 to 1908
200	8"	0 to 57	113	226	565	1131	0 to 3393
250	10"	0 to 88	177	353	884	1767	0 to 5301
300	12"	0 to 127	254	509	1272	2545	0 to 7634
350	14"	0 to 173	346	693	1732	3464	0 to 10391
400	16"	0 to 226	452	905	2262	4524	0 to 13571
450	18"	0 to 286	573	1145	2863	5725	0 to 17176
500	20"	0 to 353	707	1414	3534	7068	0 to 21205
600	24"	0 to 509	1018	2036	5089	10179	0 to 30536
700	28"	0 to 693	1385	2771	6927	13854	0 to 41562
800	32"	0 to 905	1810	3619	9048	18095	0 to 54286
900	36"	0 to 1145	2290	4580	11451	22902	0 to 68705
1000	40"	0 to 1414	2827	5655	14137	28274	0 to 84821

↗ Dimension & Weight

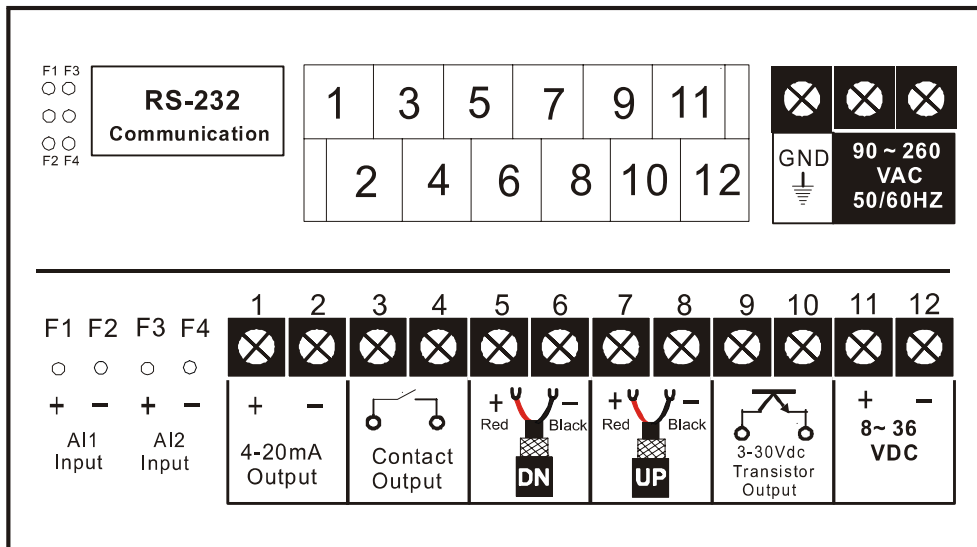


Normal Size		Transducer Spacing	Dimensions (mm)			Weight
mm	Inch	C	L	D	Kg	
100	4"	93.87	400	220	19	
125	5"	118.87	450	250	23	
150	6"	143.87	450	285	28	
200	8"	194.87	500	340	34	
250	10"	242.87	550	395	43	
300	12"	290.87	700	445	53	
350	14"	340.87	750	505	68	
400	16"	389.87	800	565	85	
450	18"	439.87	850	615	105	
500	20"	489.87	900	670	130	
600	24"	589.87	1000	780	220	
700	28"	689.87	1200	895	350	
800	32"	789.87	1300	1015	410	
900	36"	889.87	1400	1115	470	
1000	40"	989.87	1500	1230	610	

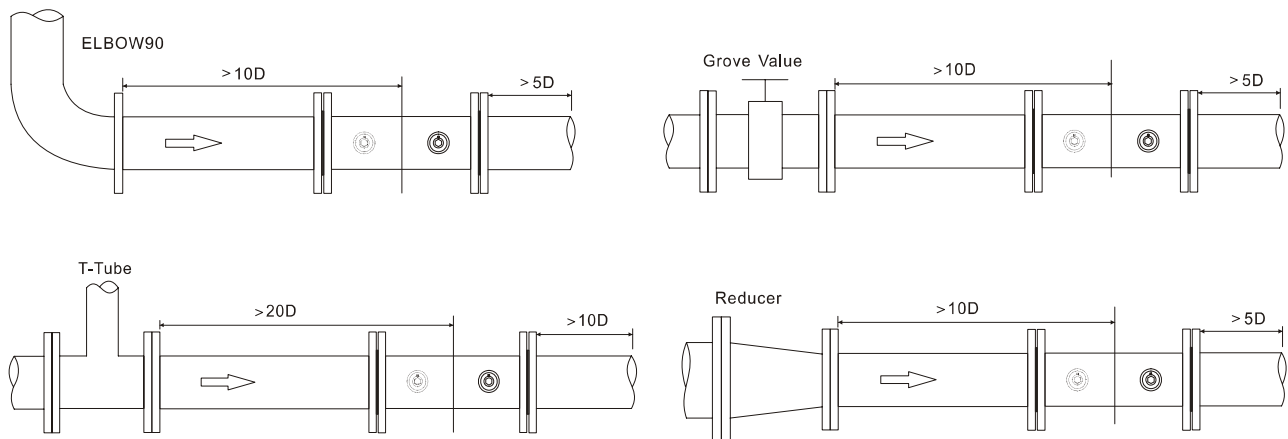
➤ DIMENSIONS FOR ULTRASONIC FLOWMETER



➤ WIRING



➤ **CONDITIONS ON STRAIGHT PIPE**



➤ **Model Selection Guide**

AUF760 Series							
Example:AUF760-0150-A80-020-NN							
AUF760-	XXXX-	X	X	X-	XXX	-X	Description
Size	100~1000-					100-1000mm	
Connection	1					PN10	
	2					PN16	
	3					PN25	
	4					PN40	
	A					ANSI 150 #	
	B					ANSI 300 #	
	C					ANSI 600 #	
	7					JIS 7.5K	
	J					JIS 10K	
	K					JIS 20K	
L					JIS 40K		
Z					Others		
Protection	8					IP68	
	9					IP68(Submersible)	
Flange & Tube	0-					Carbon Steel	
	4-					S.S.304 Flange	
	6-					S.S.316 Flange	
	8-					S.S.304 Flange & Tube	
	9-					S.S.316 Flange & Tube	
Cable length				005~150	Separate version, Cable 5M ~ 150M		
Power Supply					-NN	90-260 VAC, 50/60 Hz or 8-36VDC	