

KONAN[®]

Download CAD drawings and PDF catalog data
from the following website

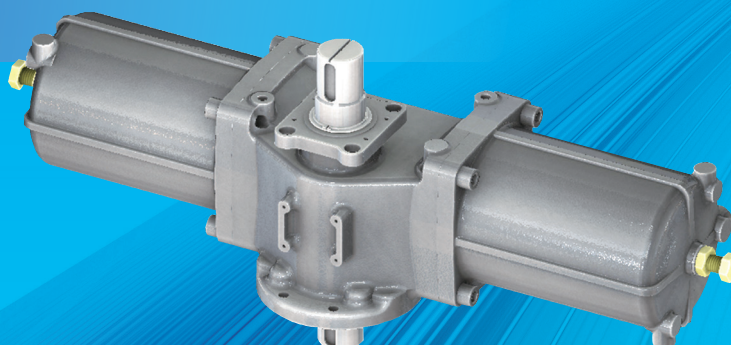
**URL=[https://www.
konan-em.com/](https://www.konan-em.com/)**

TW3 For operation of large-diameter valve

Rotary actuator

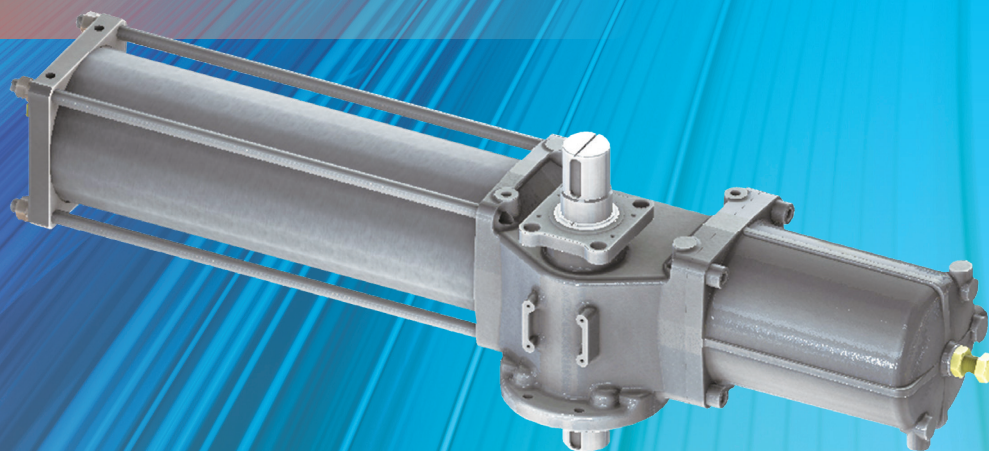
D

Double-Acting Type
Type



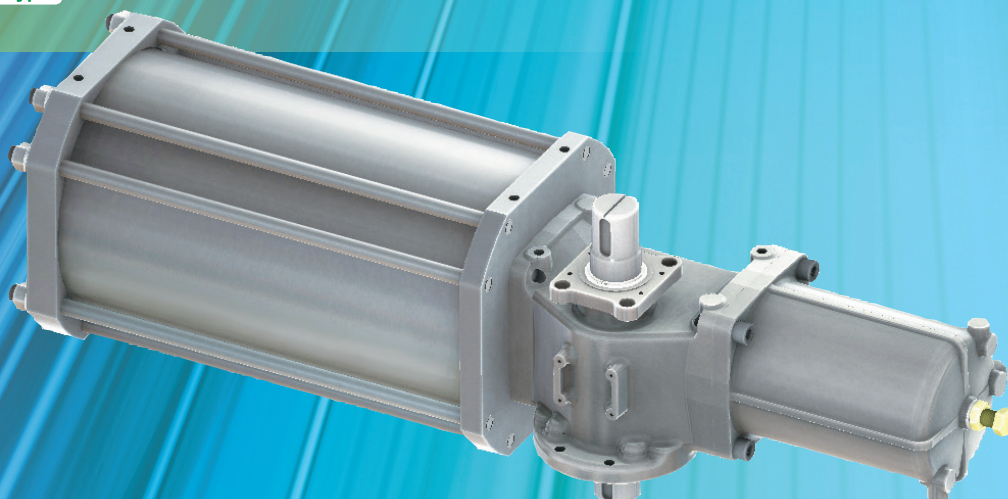
S

Single-Acting Type
Type



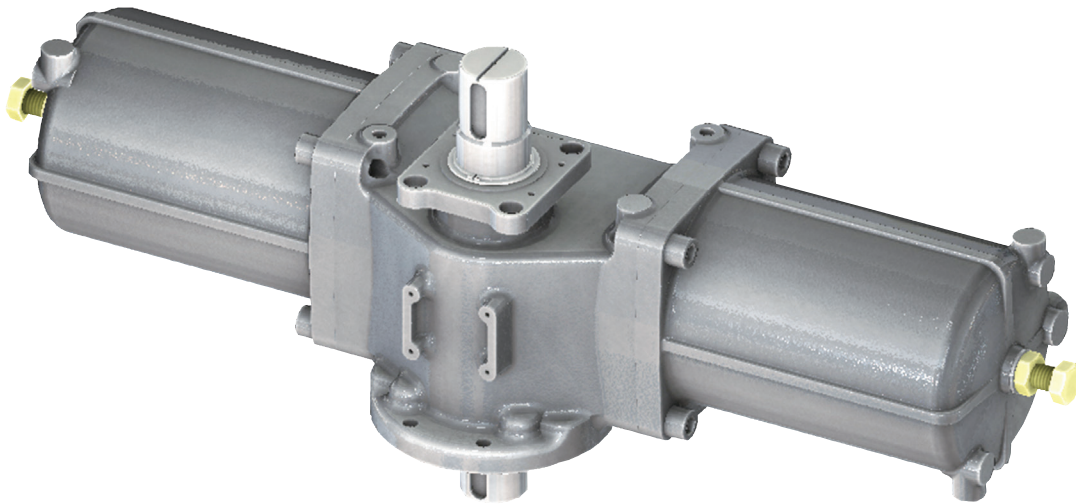
R

Single-Acting Type
Type

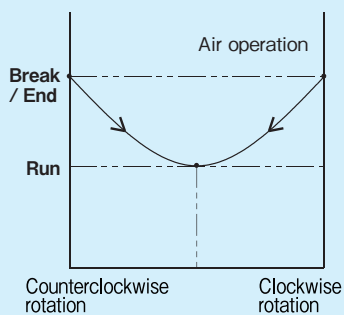


TW3 Rotary actuator

Bore size $\phi 170$, $\phi 200$, $\phi 280$



Torque Characteristic



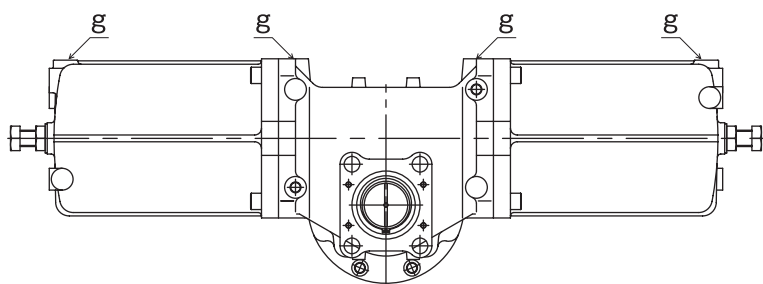
Output torque

Model Code		TW3-170D-00		TW3-200D-00		TW3-280D-00	
		Break/End	Run	Break/End	Run	Break/End	Run
Supply pressure	0.3 MPa	1230 N·m	715 N·m	2770 N·m	1611 N·m	6648 N·m	3865 N·m
	0.4 MPa	1685 N·m	980 N·m	3796 N·m	2207 N·m	9111 N·m	5297 N·m
	0.5 MPa	2141 N·m	1245 N·m	4822 N·m	2804 N·m	11573 N·m	6729 N·m
	0.6 MPa	2596 N·m	1510 N·m	5848 N·m	3400 N·m	14036 N·m	8160 N·m
	0.7 MPa	3052 N·m	1774 N·m	6874 N·m	3997 N·m	16498 N·m	9592 N·m

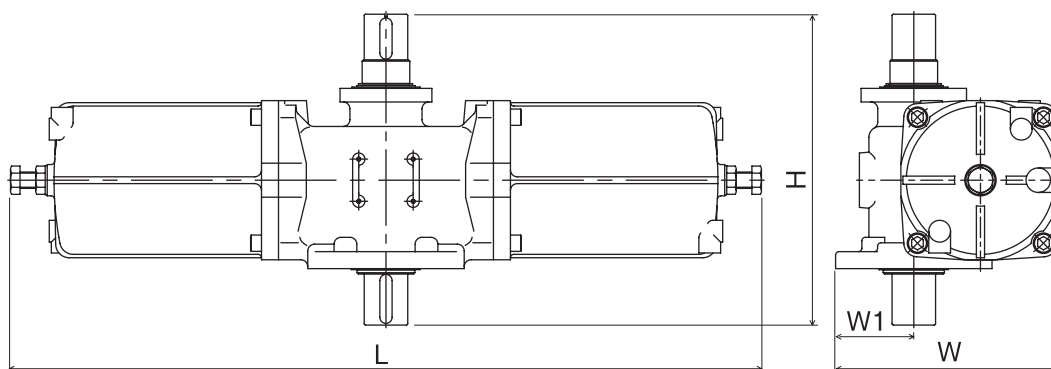
Specification

Model Code	TW3-170D-00	TW3-200D-00	TW3-280D-00
Bore size	φ 170	φ 200	φ 280
Operating fluid	Compressed air		
Operating pressure	0.3 ~ 0.7MPa		
Proof pressure	1.05MPa		
Ambient temperature	- 5 ~ 60°C (In case of 5°C or less, provide adequate measures against freezing.)		
Rotating angle	90°		
Angle adjustment range	± 5° both ends		
Mass	72kg	140kg	340kg

External Dimensions

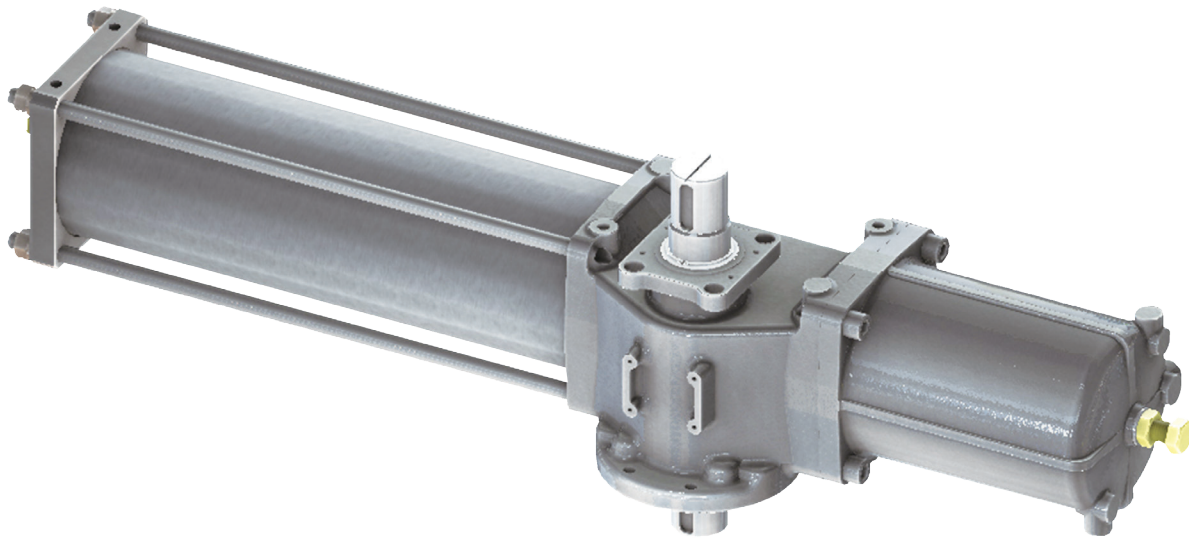


Model	TW3-170D	TW3-200D	TW3-280D	
Size (Unit : mm)	L	780	1104	1482
	H	381	457	578
	W	256	330	451
	W1	98	115	167
	g	Rc3/8	Rc3/8	Rc1/2

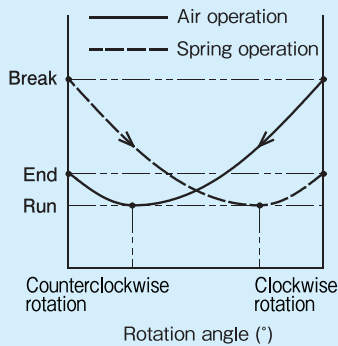


TW3 Rotary actuator

Bore size $\phi 170$, $\phi 200$, $\phi 280$



Torque Characteristic



*A model with right and left backward operation can be manufactured. [Type A]

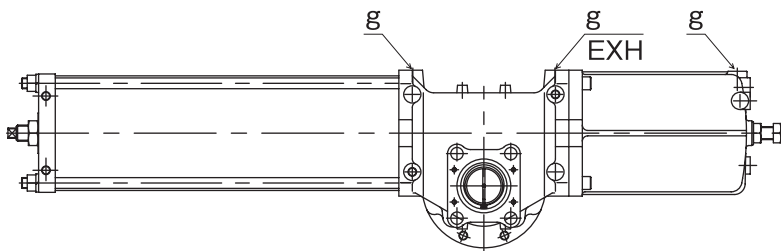
Output torque

Model Code		TW3-170S (A) -00			TW3-200S (A) -00			TW3-280S (A) -00		
		Break	Run	End	Break	Run	End	Break	Run	End
Supply pressure	0.4 MPa	1095 N·m	483 N·m	638 N·m	2587 N·m	1073 N·m	1330 N·m	5965 N·m	2612 N·m	3426 N·m
	0.5 MPa	1551 N·m	749 N·m	1093 N·m	3613 N·m	1680 N·m	2356 N·m	8427 N·m	4054 N·m	5889 N·m
	0.6 MPa	2006 N·m	1016 N·m	1549 N·m	4639 N·m	2280 N·m	3382 N·m	10890 N·m	5494 N·m	8351 N·m
	0.7 MPa	2462 N·m	1281 N·m	2004 N·m	5665 N·m	2880 N·m	4408 N·m	13352 N·m	6928 N·m	10813 N·m
	Spring operation	1093 N·m	482 N·m	636 N·m	2569 N·m	1063 N·m	1312 N·m	5931 N·m	2592 N·m	3392 N·m

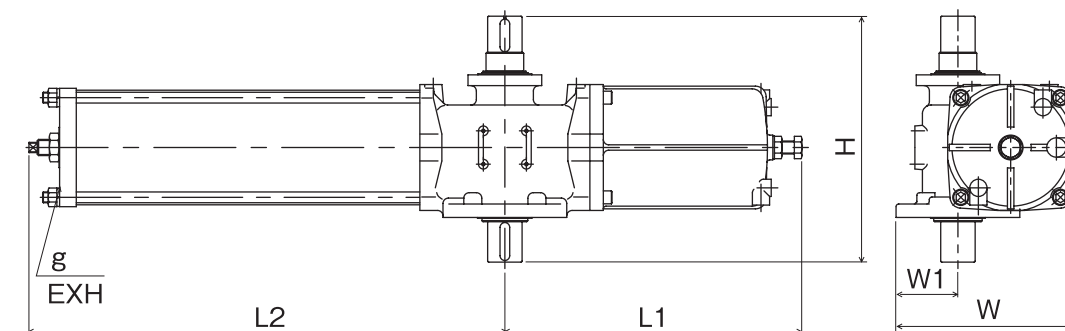
Specification

Model Code	TW3-170S (A) -00	TW3-200S (A) -00	TW3-280S (A) -00
Bore size	ϕ 170	ϕ 200	ϕ 280
Operating fluid	Compressed air		
Operating pressure	0.4 ~ 0.7MPa		
Proof pressure	1.05MPa		
Ambient temperature	- 5 ~ 60°C (In case of 5°C or less, provide adequate measures against freezing.)		
Rotating angle	90°		
Angle adjustment range	\pm 5° both ends		
Mass	105kg	190kg	505kg

External Dimensions

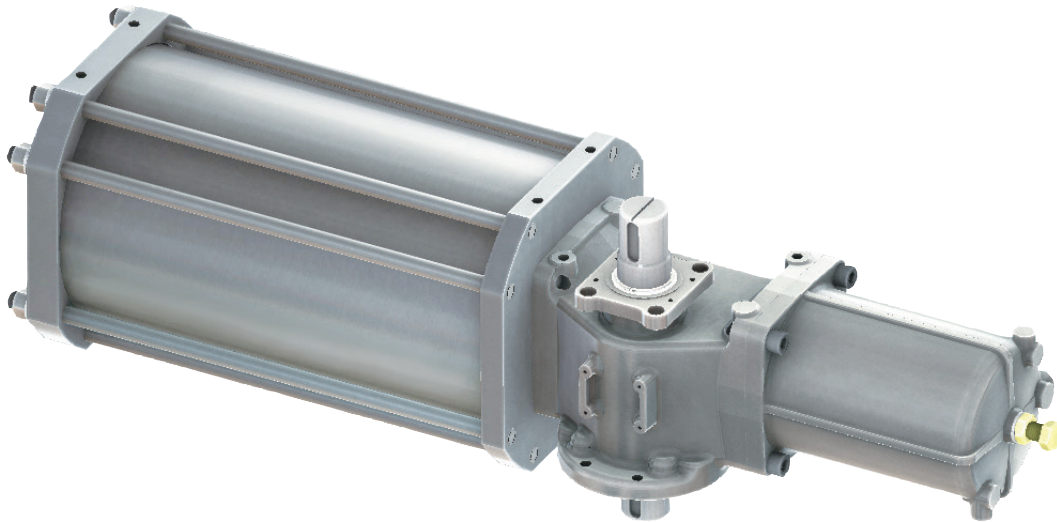


Model	TW3-170S	TW3-200S	TW3-280S	
Size (Unit : mm)	L1	390	552	741
	L2	619	884.5	1169
	H	381	457	578
	W	256	330	451
	W1	98	115	167
	g	Rc3/8	Rc3/8	Rc1/2

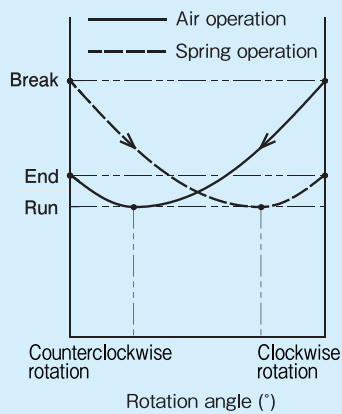


TW3 Rotary actuator

Bore size $\phi 170$, $\phi 200$, $\phi 280$



Torque Characteristic



*A model with right and left backward operation can be manufactured. [\[Type L\]](#)

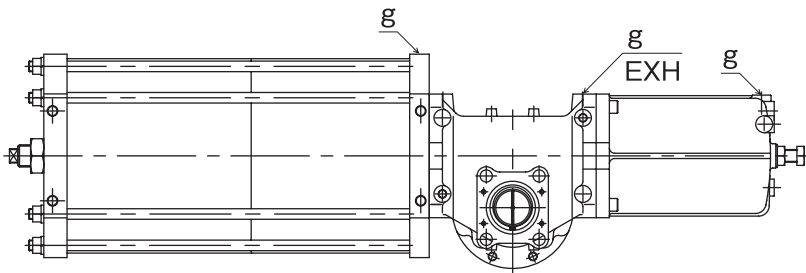
Output torque

Model Code	TW3-170R (L) -00			TW3-200R (L) -00			TW3-280R (L) -00			
	Break	Run	End	Break	Run	End	Break	Run	End	
Supply pressure	0.4 MPa	2181 N·m	1017 N·m	1429 N·m	4822 N·m	2274 N·m	3237 N·m	8426 N·m	4086 N·m	5981 N·m
	0.5 MPa	3131 N·m	1572 N·m	2380 N·m	6940 N·m	3513 N·m	5356 N·m	12211 N·m	6297 N·m	9766 N·m
	0.6 MPa	4082 N·m	2126 N·m	3331 N·m	9059 N·m	4743 N·m	7474 N·m	15996 N·m	8487 N·m	13551 N·m
	0.7 MPa	5033 N·m	2676 N·m	4281 N·m	11177 N·m	5969 N·m	9592 N·m	19781 N·m	10678 N·m	17336 N·m
	Spring operation	2184 N·m	1018 N·m	1432 N·m	4812 N·m	2268 N·m	3227 N·m	8403 N·m	4072 N·m	5958 N·m

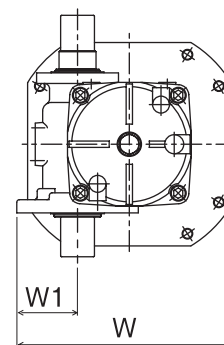
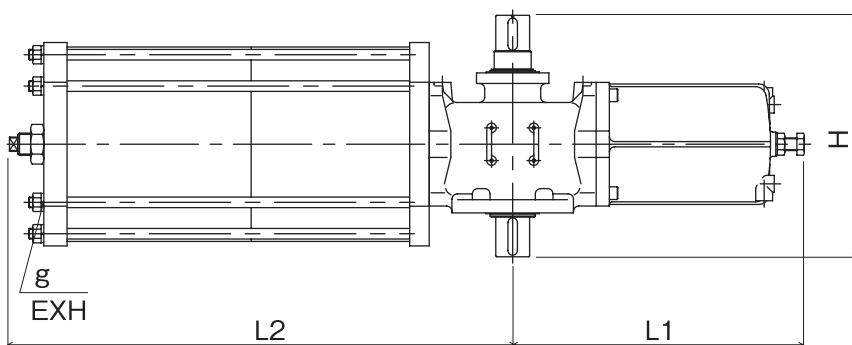
Specification

Model Code	TW3-170R(L)-00	TW3-200R(L)-00	TW3-280R(L)-00
Bore size	φ 170	φ 200	φ 280
Operating fluid	Compressed air		
Operating pressure	0.4 ~ 0.7MPa		
Proof pressure	1.05MPa		
Ambient temperature	- 5 ~ 60°C (In case of 5°C or less, provide adequate measures against freezing.)		
Rotating angle	90°		
Angle adjustment range	± 5° both ends		
Mass	218kg	385kg	798kg

External Dimensions

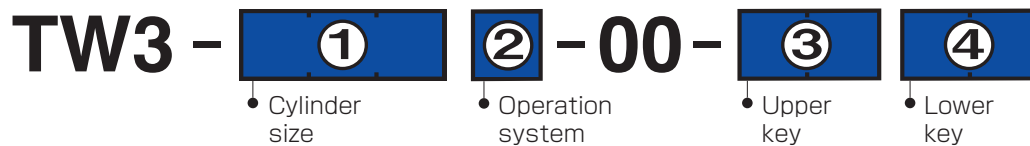


Model	TW3-170R	TW3-200R	TW3-280R	
Size (Unit : mm)	L1	390	552	741
	L2	660	952.5	1313
	H	381	457	578
	W	335	405.5	504.5
	W1	107.5	115	167
	g	Rc3/8	Rc3/8	Rc1/2



Common Items [Type D/S/A/R/L]

Model Code When ordering, specify the model as follows.



1 Cylinder size	
ϕ 170	170
ϕ 200	200
ϕ 280	280

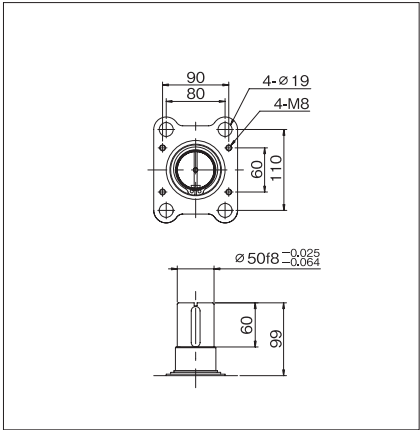
2 Operation system	
Double-Acting Type	D
Single-Acting Type (Type S)	S
Single-Acting Type (Type A)	A
Single-Acting Type (Type R)	R
Single-Acting Type (Type L)	L

3 Upper key * TW3 (standard) is not equipped with a key. If a cylinder with a key is required, please place an order as shown below.			
With/Without key	Cylinder size	Parallel key size	Designation
Without key	ϕ 170, ϕ 200, ϕ 280	—	No entry
With key	ϕ 170	12 × 8 × 50L key with both round ends (JIS B 1301)	1
	ϕ 200	18 × 12 × 60L key with both round ends Old JIS (JIS B1301 - 1959)	1
		18 × 11 × 60L key with both round ends New JIS (JIS B1301 - 1996)	1N
ϕ 280	24 × 16 × 90L key with both round ends (JIS B1301)	1	

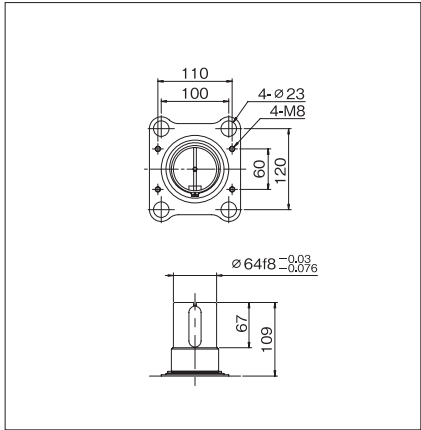
4 Lower key * TW3 (standard) is not equipped with a key. If a cylinder with a key is required, please place an order as shown below.			
With/Without key	Cylinder size	Parallel key size	Designation
Without key	ϕ 170, ϕ 200, ϕ 280	—	No entry
With key	ϕ 170	12 × 8 × 55L key with both round ends (JIS B 1301)	2
	ϕ 200	18 × 12 × 70L key with both round ends Old JIS (JIS B1301 - 1959)	2
		18 × 11 × 70L key with both round ends New JIS (JIS B1301 - 1996)	2N
ϕ 280	24 × 16 × 98L key with both round ends (JIS B1301)	2	

Optional equipment mounting interface

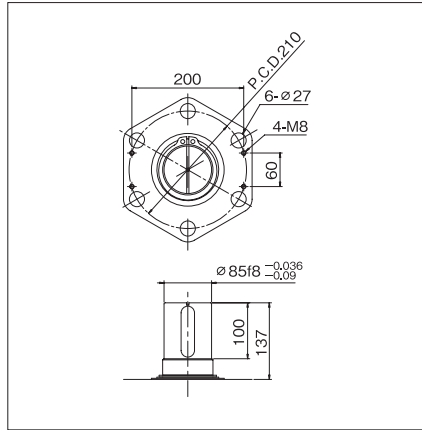
TW3 – 170



TW3 – 200

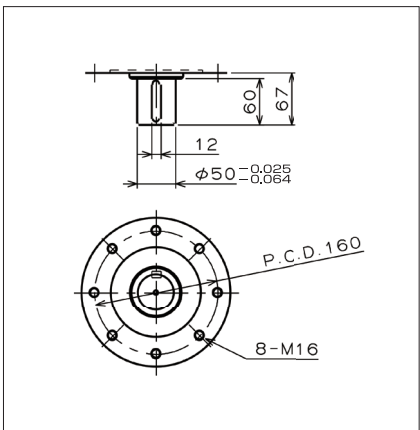


TW3 – 280

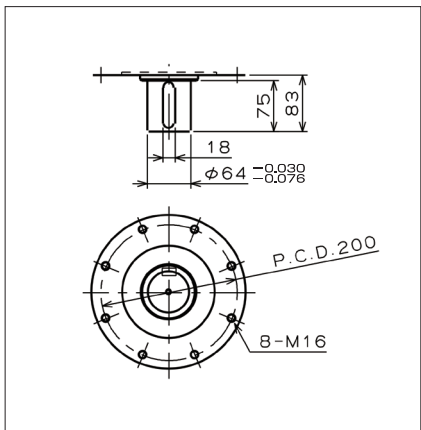


Valve mounting interface

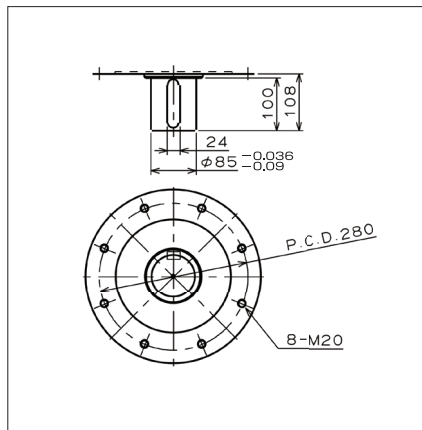
TW3 – 170



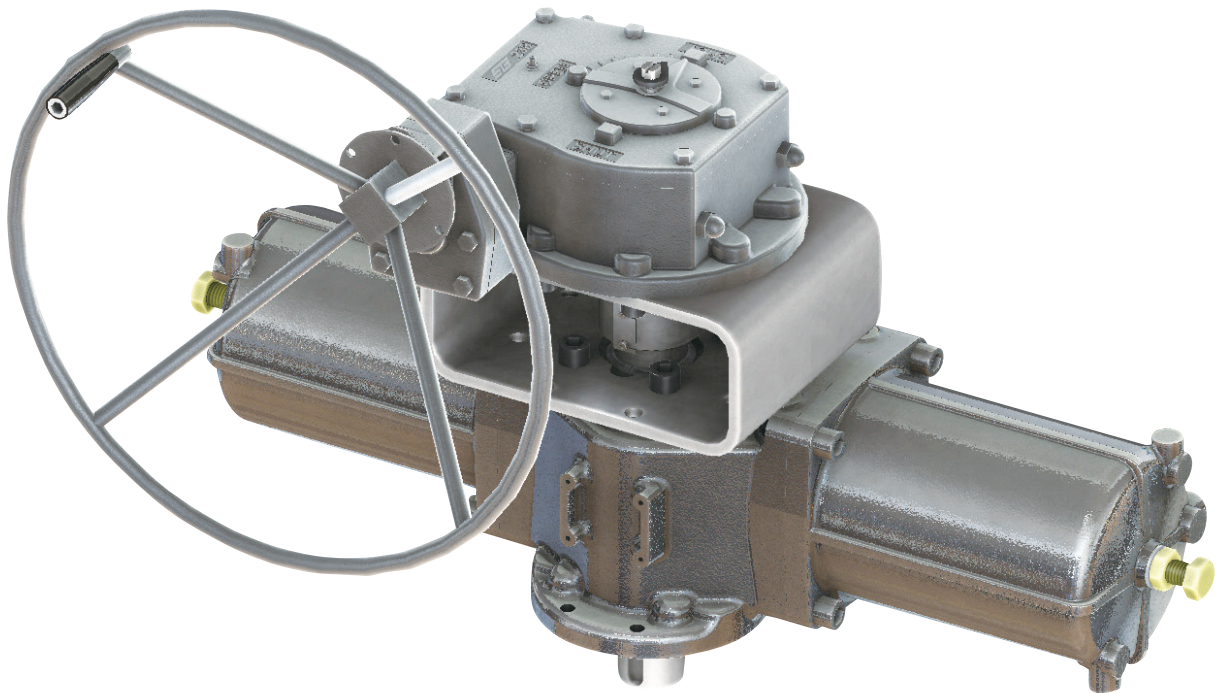
TW3 – 200



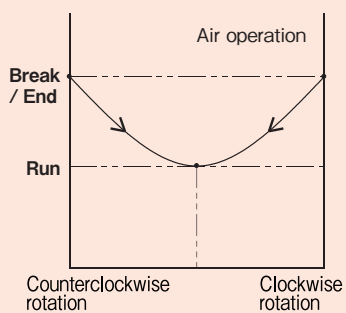
TW3 – 280



TW3 Rotary actuator

Bore size $\phi 170$, $\phi 200$, $\phi 280$ 

■ Torque Characteristic



Output torque

Model Code	TW3-170D-52		TW3-200D-52		TW3-280D-52		
	Break/End	Run	Break/End	Run	Break/End	Run	
Supply pressure	0.3 MPa	1230 N·m	715 N·m	2770 N·m	1611 N·m	6648 N·m	3865 N·m
	0.4 MPa	1685 N·m	980 N·m	3796 N·m	2207 N·m	9111 N·m	5297 N·m
	0.5 MPa	2141 N·m	1245 N·m	4822 N·m	2804 N·m	11573 N·m	6729 N·m
	0.6 MPa	2596 N·m	1510 N·m	5848 N·m	3400 N·m	14036 N·m	8160 N·m
	0.7 MPa	3052 N·m	1774 N·m	6874 N·m	3997 N·m	16498 N·m	9592 N·m

Model Code When ordering, specify the model as follows.

< Equipped with manual gear with opening display >

TW3 - ① **D - 52 -** ④

• Cylinder size

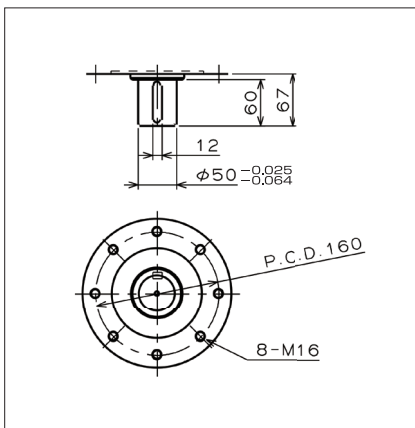
• Lower key

① Cylinder size	
ϕ 170	170
ϕ 200	200
ϕ 280	280

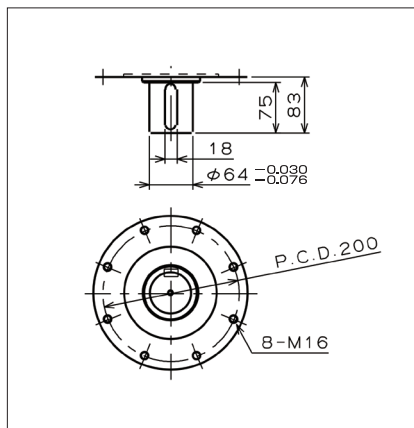
④ Lower key * TW3 (standard) is not equipped with a key. If a cylinder with a key is required, please place an order as shown below.			
With/Without key	Cylinder size	Parallel key size	Designation
Without key	ϕ 170, ϕ 200, ϕ 280	—	No entry
With key	ϕ 170	12 x 8 x 55L key with both round ends (JIS B 1301)	2
	ϕ 200	18 x 12 x 70L key with both round ends Old JIS (JIS B1301 - 1959)	2
		18 x 11 x 70L key with both round ends New JIS (JIS B1301 - 1996)	2N
	ϕ 280	24 x 16 x 98L key with both round ends (JIS B1301)	2

■ Valve mounting interface

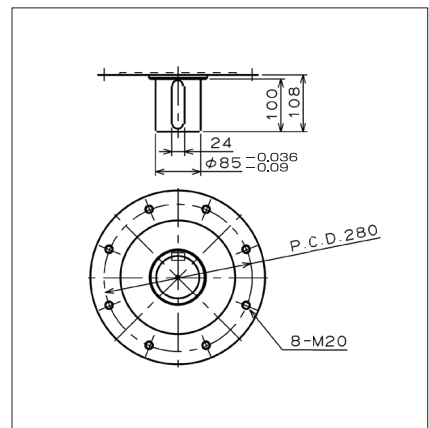
TW3 - 170



TW3 - 200

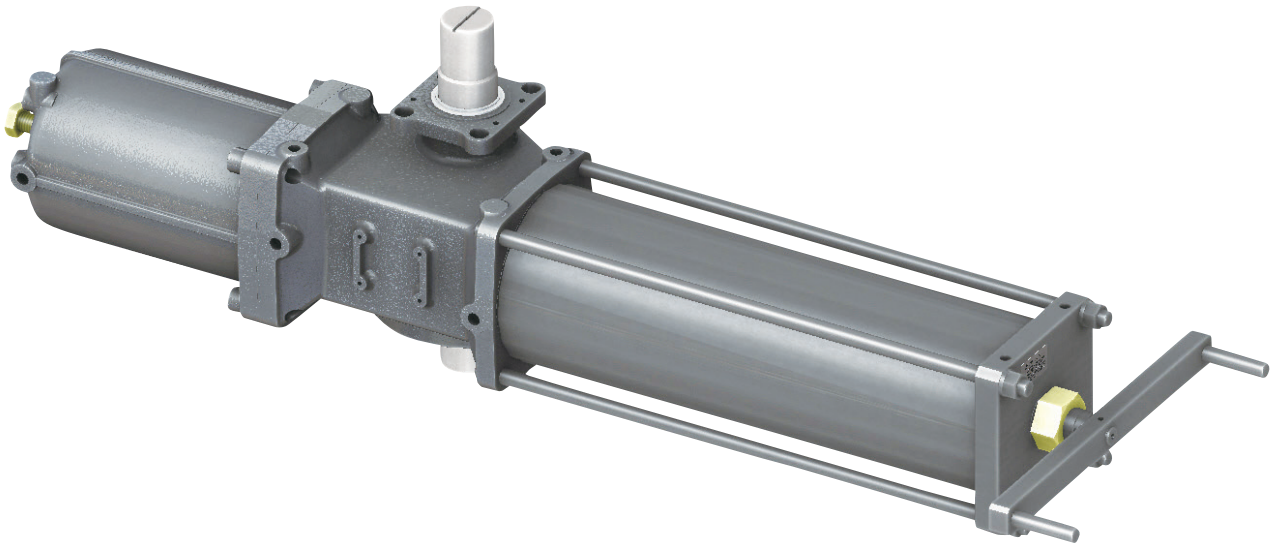


TW3 - 280

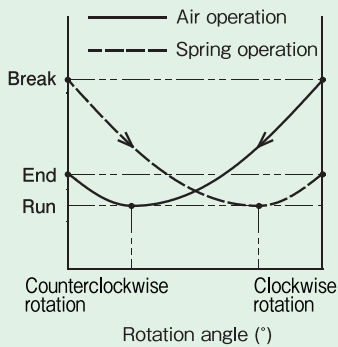


TW3 Rotary actuator

Bore size $\phi 170$ 、 $\phi 200$ 、 $\phi 280$



Torque Characteristic

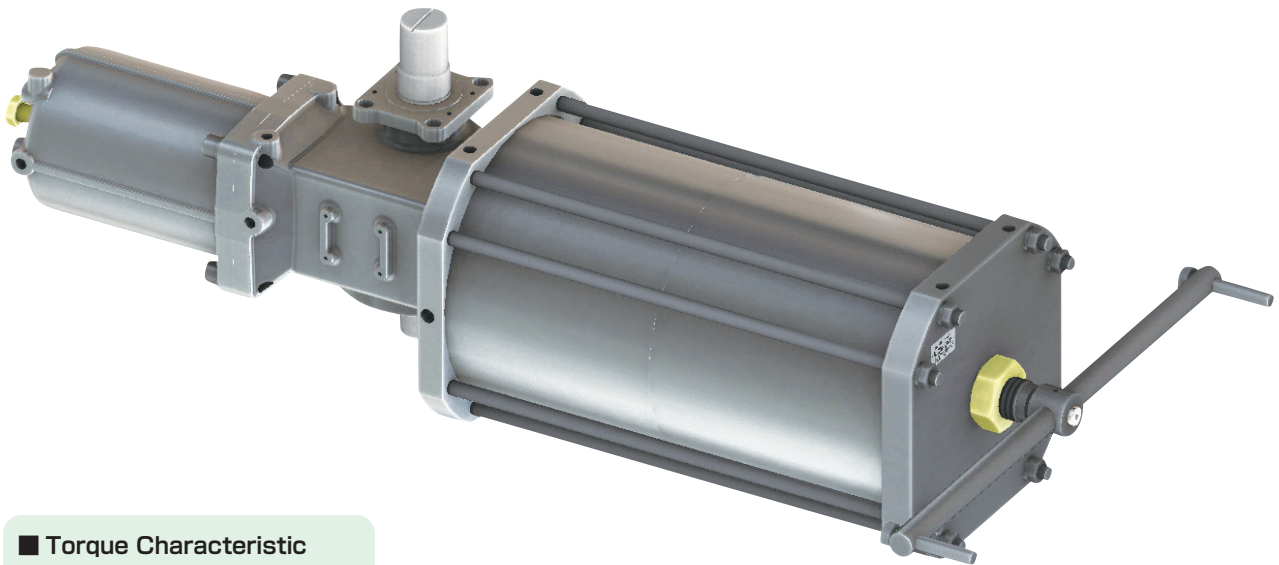


*A model with right and left backward operation can be manufactured. [Type AM]

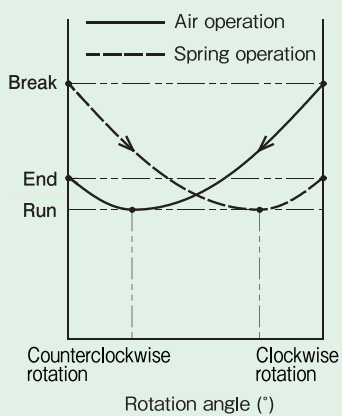
Output torque

Model Code		TW3-170SM (AM) -00			TW3-200SM (AM) -00			TW3-280SM (AM) -00		
		Break	Run	End	Break	Run	End	Break	Run	End
Supply pressure	0.4 MPa	1095 N·m	483 N·m	638 N·m	2587 N·m	1073 N·m	1330 N·m	5965 N·m	2612 N·m	3426 N·m
	0.5 MPa	1551 N·m	749 N·m	1093 N·m	3613 N·m	1680 N·m	2356 N·m	8427 N·m	4054 N·m	5889 N·m
	0.6 MPa	2006 N·m	1016 N·m	1549 N·m	4639 N·m	2280 N·m	3382 N·m	10890 N·m	5494 N·m	8351 N·m
	0.7 MPa	2462 N·m	1281 N·m	2004 N·m	5665 N·m	2880 N·m	4408 N·m	13352 N·m	6928 N·m	10813 N·m
	Spring operation	1093 N·m	482 N·m	636 N·m	2569 N·m	1063 N·m	1312 N·m	5931 N·m	2592 N·m	3392 N·m

TW3 Rotary actuator

Bore size $\phi 170$ 、 $\phi 200$ 、 $\phi 280$ 

Torque Characteristic



*A model with right and left backward operation can be manufactured. [Type LM]

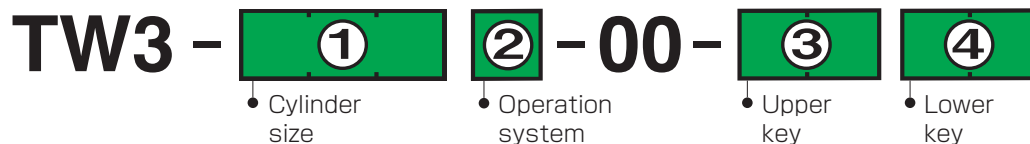
Output torque

Model Code		TW3-170RM (LM) -00			TW3-200RM (LM) -00			TW3-280RM (LM) -00		
		Break	Run	End	Break	Run	End	Break	Run	End
Supply pressure	0.4 MPa	2181 N·m	1017 N·m	1429 N·m	4822 N·m	2274 N·m	3237 N·m	8426 N·m	4086 N·m	5981 N·m
	0.5 MPa	3131 N·m	1572 N·m	2380 N·m	6940 N·m	3513 N·m	5356 N·m	12211 N·m	6297 N·m	9766 N·m
	0.6 MPa	4082 N·m	2126 N·m	3331 N·m	9059 N·m	4743 N·m	7474 N·m	15996 N·m	8487 N·m	13551 N·m
	0.7 MPa	5033 N·m	2676 N·m	4281 N·m	11177 N·m	5969 N·m	9592 N·m	19781 N·m	10678 N·m	17336 N·m
	Spring operation	2184 N·m	1018 N·m	1432 N·m	4812 N·m	2268 N·m	3227 N·m	8403 N·m	4072 N·m	5958 N·m

Common Items [Type SM/AM/RM/LM]

Model Code When ordering, specify the model as follows.

< With manual operation equipment >



① Cylinder size	
ϕ 170	170
ϕ 200	200
ϕ 280	280

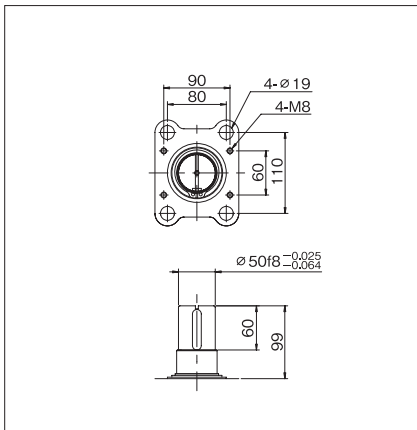
② Operation system	
Single-Acting Type (Type SM)	SM
Single-Acting Type (Type AM)	AM
Single-Acting Type (Type RM)	RM
Single-Acting Type (Type LM)	LM

③ Upper key * TW3 (standard) is not equipped with a key. If a cylinder with a key is required, please place an order as shown below.			
With/Without key	Cylinder size	Parallel key size	Designation
Without key	ϕ 170, ϕ 200, ϕ 280	—	No entry
With key	ϕ 170	12 × 8 × 50L key with both round ends (JIS B 1301)	1
	ϕ 200	18 × 12 × 60L key with both round ends Old JIS (JIS B1301 - 1959)	1
		18 × 11 × 60L key with both round ends New JIS (JIS B1301 - 1996)	1N
	ϕ 280	24 × 16 × 90L key with both round ends (JIS B1301)	1

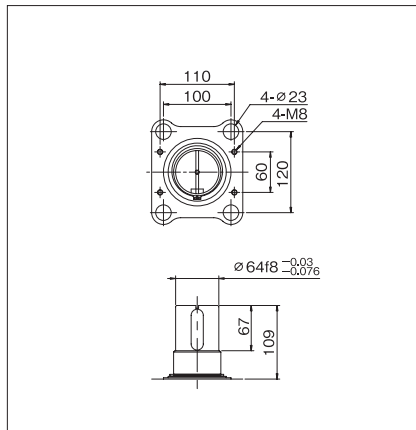
④ Lower key * TW3 (standard) is not equipped with a key. If a cylinder with a key is required, please place an order as shown below.			
With/Without key	Cylinder size	Parallel key size	Designation
Without key	ϕ 170, ϕ 200, ϕ 280	—	No entry
With key	ϕ 170	12 × 8 × 55L key with both round ends (JIS B 1301)	2
	ϕ 200	18 × 12 × 70L key with both round ends Old JIS (JIS B1301 - 1959)	2
		18 × 11 × 70L key with both round ends New JIS (JIS B1301 - 1996)	2N
		ϕ 280	24 × 16 × 98L key with both round ends (JIS B1301)

Optional equipment mounting interface

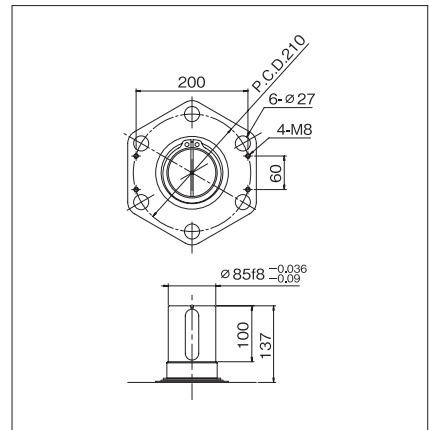
TW3 – 170



TW3 – 200

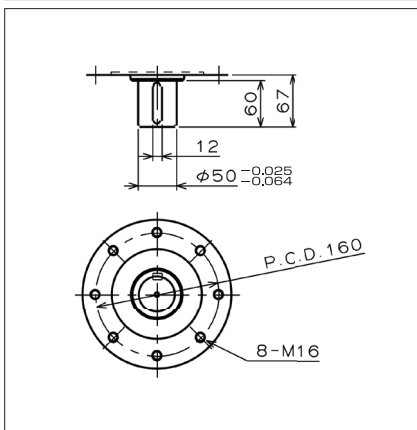


TW3 – 280

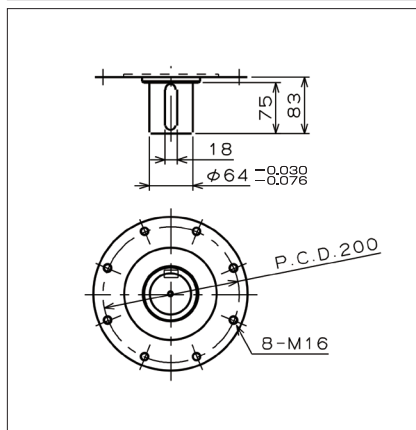


Valve mounting interface

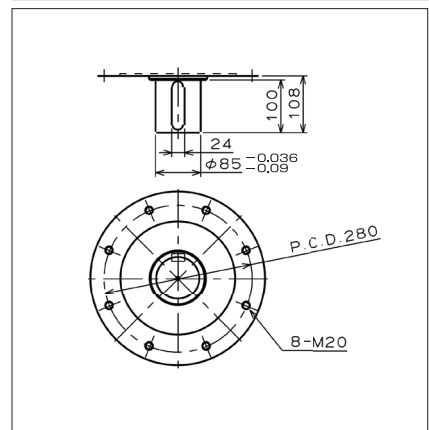
TW3 – 170



TW3 – 200

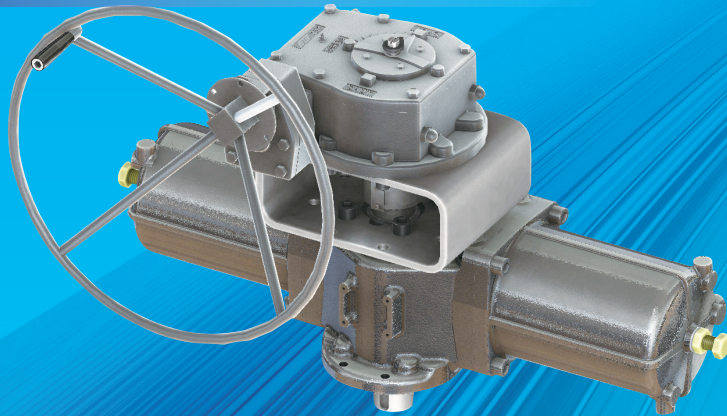


TW3 – 280



D-52

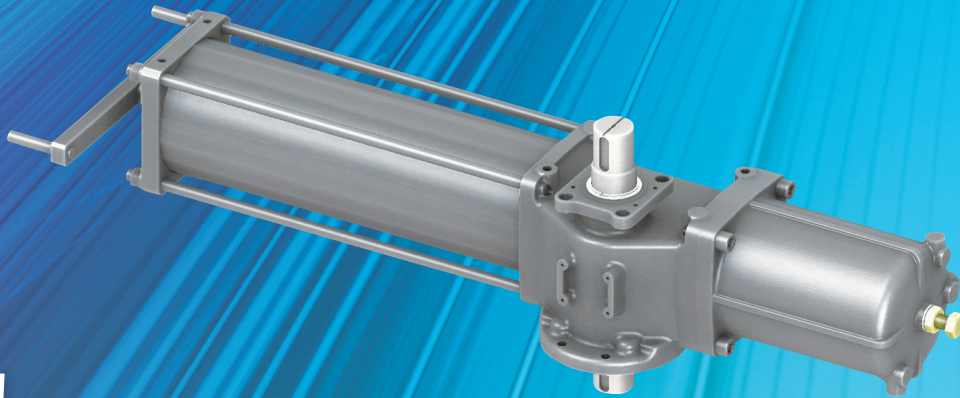
Equipped with manual gear with opening display



SM

Single-Acting Type

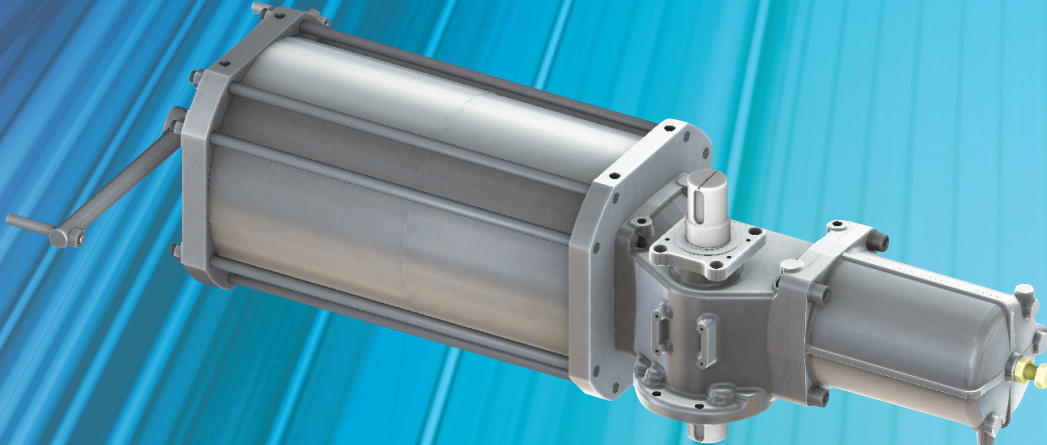
With Hand-Operated Wheel



RM

Single-Acting Type

With Hand-Operated Wheel



KONAN®

KONAN ELECTRIC CO.,LTD.

Tokyo Branch

Shiba-Sanesu-Wakamatsu Bldg.7-8, Shiba 4-chome, Minatoku, Tokyo 108-0014, Japan
Phone: +81-3-3454-1711 Fax: +81-3-3454-8699

Osaka Branch

Hankyu Terminal Bldg.1-4, Shibata 1-chome, Kitaku, Osaka 530-0012, Japan
Phone: +81-6-6373-6701 Fax: +81-6-6373-6740

Seibu Branch

Momiji Hiroshima Hikarimachi Bldg.12-20, Hikarimachi, 1-chome, Higashiku, Hiroshima,
732-0052, Japan
Phone: +81-82-568-0071 Fax: +81-82-568-0072

International Operation Division

4-97, Uedahigashimachi, Nishinomiya, Hyogo, 663-8133, Japan
Phone: +81-798-48-5931 Fax: +81-798-40-6659



Tohoku Office	Phone: +81-22-215-1195
Chiba Office	Phone: +81-43-305-1401
Hokkaido Office	Phone: +81-11-792-7451
Nagoya Office	Phone: +81-52-581-6541
Kanazawa Office	Phone: +81-76-233-1411
Takamatsu Office	Phone: +81-87-835-0411
Hiroshima Office	Phone: +81-82-568-0071
Kitakyushu Office	Phone: +81-93-541-0281

Distributing Agent

URL=<https://www.konan-em.com/>

2021.09
Please note that this catalog is subject to revision without notice.

2021.09-1版(D1)-H