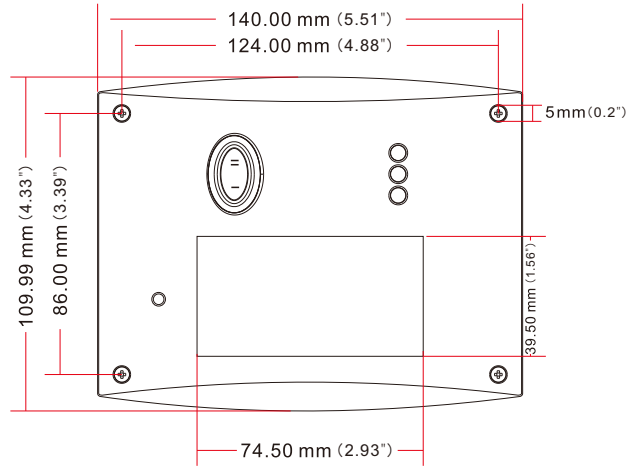
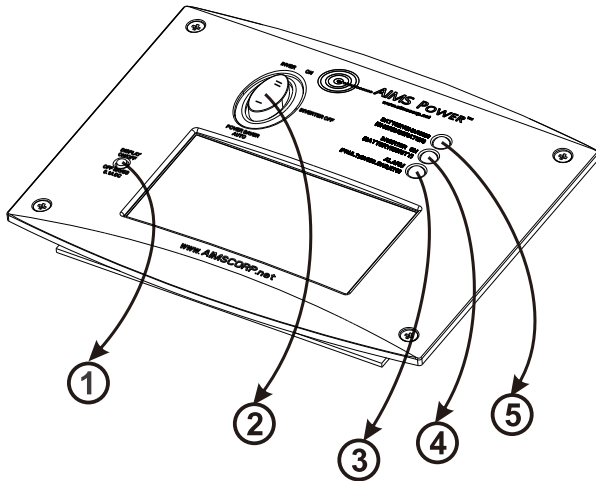


# LCD REMOTE DISPLAY REMOTELF

## Overall Dimensions

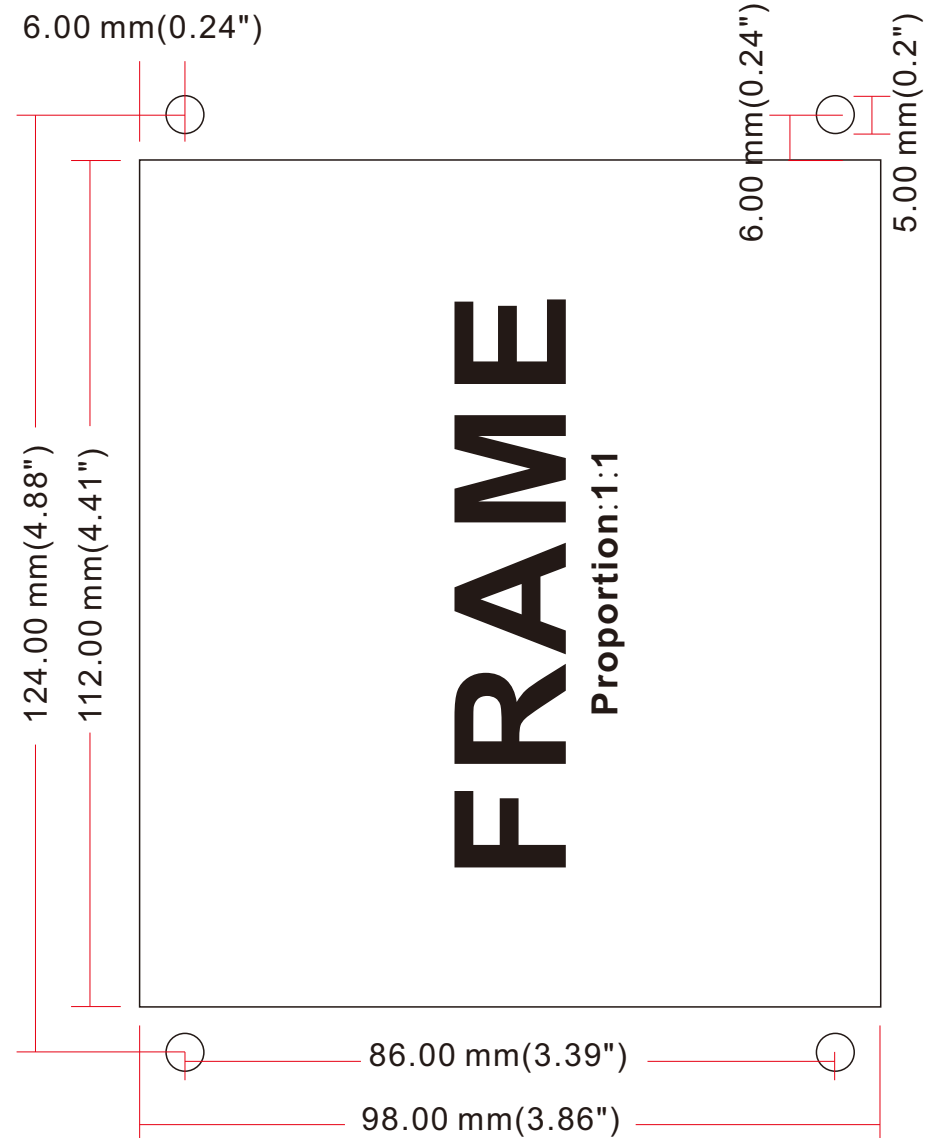


## Display Functions

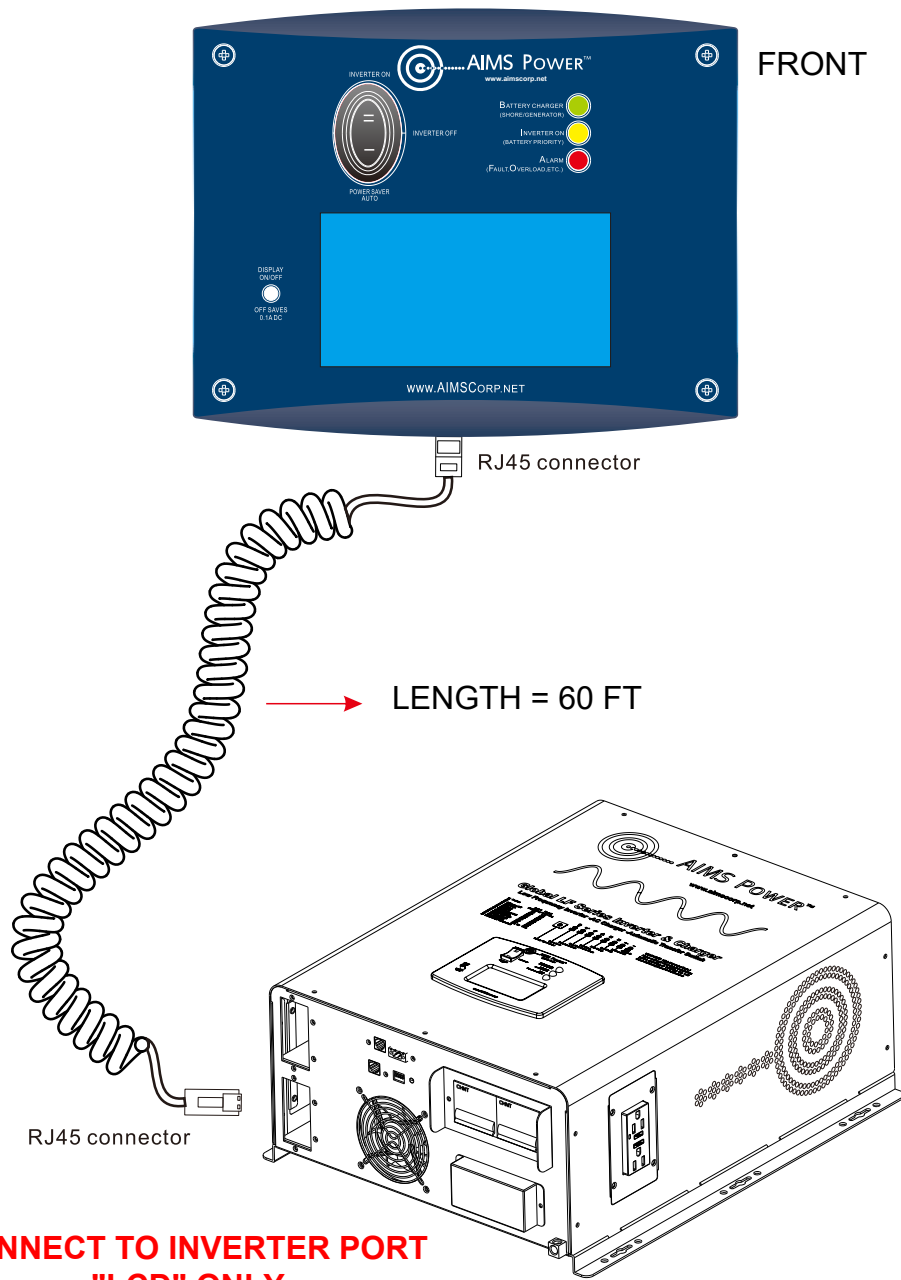


- ① Display ON / OFF
- ② Power switch ON/OFF  
"=" Inverter On  
"- " Power Saver On
- ③ Alarm LED
- ④ Inverter LED
- ⑤ Battery charger LED

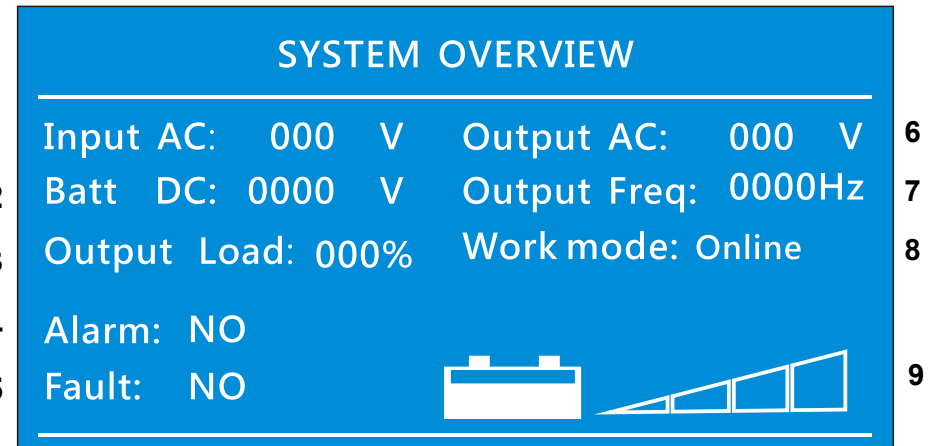
## LCD Mounting Diagram



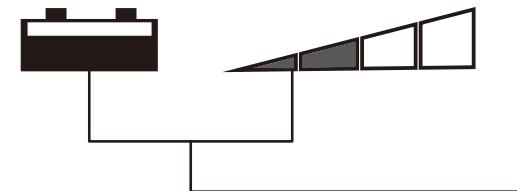
## Connection Diagram



## LCD Display Detail



- |   |                                     |
|---|-------------------------------------|
| (1) Shore/ Generator voltage              | (6) AC Output voltage               |
| (2) DC voltage on inverter                | (7) Output frequency                |
| (3) Load when inverting %                 | (8) Bypass (online) / inverter mode |
| (4) Low/high voltage, over temp, overload | (9) Battery state of charge graph   |
| (5) Fault condition                       |                                     |



**NOTE:** The battery icon is just an image and does not represent battery capacity. The bar graph will change based on battery voltage (2). If using lithium, you may see an instant drop on the graph.