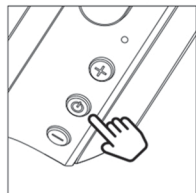


## Headset Pairing

### ① Power on and pairing



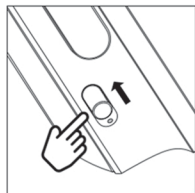
Press and hold the MFB "Ⓞ" 3 sec, light flashes blue then red and blue light flashes in turns, enter the pairing mode.

### ② Connecting



Headset pairs with smart phone, Voice prompt: "connecting", the light remains blue. Connecting successfully blue light flashes slowly.

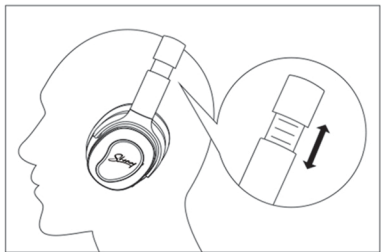
### ③ ANC on



Slide the switch to the top to turn on the ANC, the light remains green.

## Scalable

Scalable, to fit different types of head, make sure to wear comfortable



## Product Instructions

### Power off:

In the state of power-on, press and hold the MFB "Ⓞ" at least 3 sec, the red light will flash once and with the voice prompt of "power off".

### Pairing:

In the state of power-off, press and hold the MFB "Ⓞ" 3 sec, the light flashes blue, headset enter re-connected, if without reconnecting, headset enter pairing mode, red light and blue light flash in turns. You can connect with your target device right now

※**Reconnect: If the headset is already connected to the previous device, when reopen it will automatically be connected to the previous device.**

### Pairing status:

Red light and blue light flash in turns.

### Connecting:

Voice prompt: "Connecting", light remains blue. Connecting successfully blue light flashes slowly.

### Last number redial:

Press MFB "Ⓞ" twice when headset is standby, it will redial the last number.

### Answer/end phone calls:

Press MFB "Ⓞ" once to answer the phone call.

Press MFB "Ⓞ" once to end the phone call.

### Reject the phone calls:

Press MFB "Ⓞ" 2 seconds to reject the phone call.

### Play/pause:

Press MFB "Ⓞ" once to play/pause the music.

### Previous song/next song:

While listening to the music, press and hold "⊖" button to skip to the previous song. Press and hold "⊕" button to skip to the next song.

### Volume up/volume down:

While playing the music, short press "⊖" button to reduce the volume. Short press "⊕" button to increase the volume.

### Low battery warning/Power off:

low battery on headset, the light flashes blue continuously. When the battery runs out, the headset will power off.

### Indicator:

When charging, the light remains red. When full-charged, The indicator light will change from red to blue.

### Noise Cancelling:

Slide the switch to the top to turn on the ANC, the light remains green. Slide the switch to the bottom to turn off ANC, the green light is off.

※**The headset will power off if there is no connection within 5 minutes.**

## Attention

1. When use the audio cable to connect this headset with the device, the function of this wireless headset is same as the wired type. The ANC button is still working while all other buttons become disabled.
2. If headset doesn't work, please check if the battery is exhausted, please charge it fully first.
3. To guarantee the battery life, please power off the headset if not in using. Please charge the headset with the equipped cable.
4. Please charge the headset if not in using for long time.
5. Please don't change the built-in battery by yourself.
6. Please don't put the headset under wet or rainy place.
7. Please don't expose the headset under the blazing sun, event not close fire to avoid battery accident.
8. Please don't twist the headset in reverse direction.
9. Please don't disassemble the headset if unprofessional.
10. When headset is not using state, please turn off the ANC switch to avoid loss of power.

# Shenoy

## Active Noise Cancelling Wireless Headset



### User Manual

### Specifications

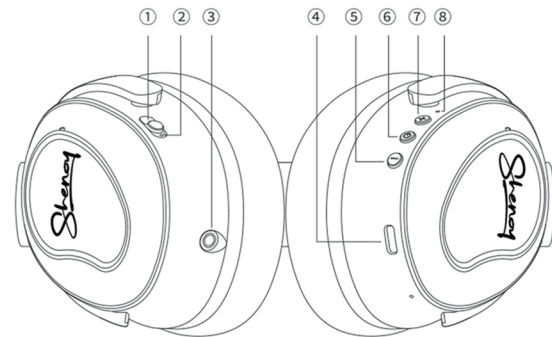
BT Version:	5.0
Protocol:	HSP/HFP/A2DP/AVRCP
Music Playback Time (ANC off):	25-30 hours
Talk Time (ANC off):	25-30 hours
Range:	10meters
Frequency Range:	20Hz-20kHz
Speaker Impedance:	32Ω
Charging Time:	1.5-2 hours
Battery Capacity:	3.7V/500mAh

### Features

1. ANC Active Noise Cancellation: feedforward and feedback noise cancelling, effective noise reduction.
2. Wireless Stereo: Support wireless devices and support stereo music.
3. Handsfree: High quality voice calling.
4. Auto-reconnect: Auto-reconnect after power on if connected before.
5. Compatibility: Compatible to most of wireless devices in the market.
6. Rotatable, Retractable: suitable for most of head style of people, comfortable wearing.
7. Long standby time: Powerful battery life.

※Please read carefully the manual before using and keep it as a record

### Know Your Headset



- |                        |                               |
|------------------------|-------------------------------|
| ① ANC ON/OFF           | ⑤ VOL- / Previous Song        |
| ② ANC Indicator        | ⑥ MFB (Multi-Function Button) |
| ③ 3.5mm Audio Port     | ⑦ VOL+ / Next Song            |
| ④ Type-C Charging Port | ⑧ Indicator                   |

### Package Contents

1. Wireless headset
2. User manual
3. USB to Type-C Charging cable
4. 3.5mm audio cable