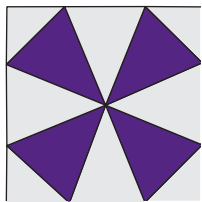
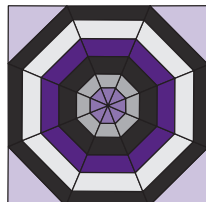


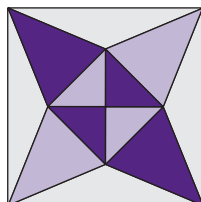
## Make blocks like these in 11 sizes! 6" to 16" every inch



**Kaleidoscope**



**Spider Web**



**Crossed Canoes**

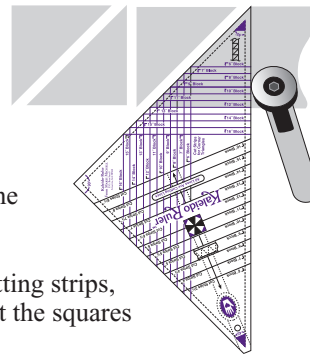
Ask for Marti Michell's book, *Kaleidoscope ABCs*, packed with Kaleidoscope quilt ideas, instructions and inspiration, and the Small Kaleido-Ruler for 2" to 8" blocks (every half-inch).



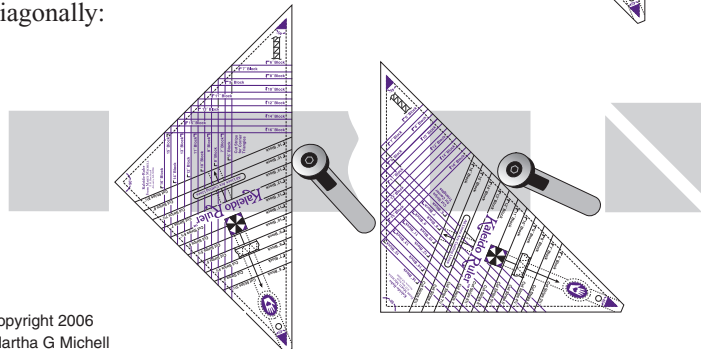
From MARTI MICHELL  
P.O. Box 80218  
Atlanta, GA 30366-0218  
www.frommarti.com  
Made and Printed in the USA

### 4. Cutting the Corner Triangles

Look at the 45° corner of the tool, and find the line with the finished size of the block; in this case, 12". Align this mark with the lower edge of the strip so the point touches the top edge of the strip. Cut the triangles as shown, changing hands as necessary. Rotate the ruler to continue cutting triangles.



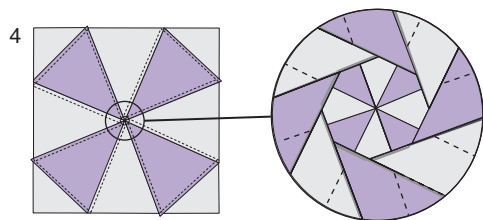
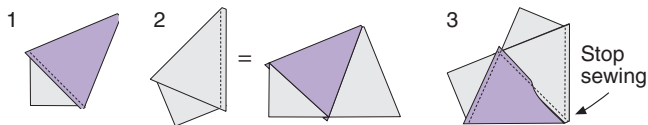
Or, using the same guideline as for cutting strips, now cut squares. Turn the ruler and cut the squares diagonally:



copyright 2006  
Martha G Michell  
8642-01-1006

### Now Let's Make a Kaleidoscope Block!

1. Make 4 corner units. Press toward the corner triangle.
2. Make 4 matching quarters for each block by adding a second Kaleido-Angle to each corner unit. Sew top-to-bottom, with the second Kaleido-Angle on top.
3. Join 2 quarters, sewing from the outer edge to the center, to make half-blocks. Stop sewing  $\frac{1}{4}$ " from the center.
4. Sew the halves together. Gently remove stitches in seam allowance at center and press in a swirl to reduce bulk.



Question: Two different triangles are needed for Kaleidoscope blocks. How do I know what sizes to cut?

# Kaleido-Ruler™ Large

6" to 16" Block Sizes  
Product #8642

Answer: That's easy! Everything you need to know is on this ruler!

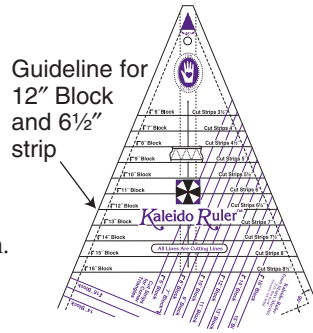
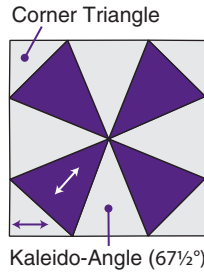
## What is a Kaleidoscope Block?

A traditional Kaleidoscope block is made of 8 acute isosceles triangles that meet in the center of the block (we call them Kaleido-Angles). A right triangle in each corner completes the design.

Use the Kaleido-Ruler and these instructions to cut both triangles with the correct grainline orientation.

## Cutting a Perfect Kaleidoscope Block is as Easy as 1-2-3-4!

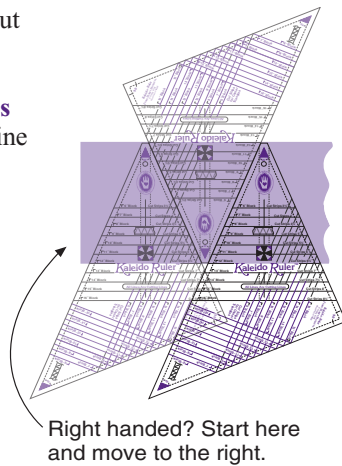
All you need to know is your desired block size. Our illustrations depict cutting a 12" block. Look at the 45° blunt end of the Kaleido-Ruler. Following down the left side of the ruler, find the appropriate cutting line for your desired block size. Follow across the line and read the strip width at the right side of the ruler, or measure strips with the Kaleido-Ruler, as shown.



the Kaleido-Ruler and rotary cut against the large ruler.

## 2. Cutting the Kaleido-Angles

Align the appropriate cutting line on the Kaleido-Ruler with one cut edge of the strip. If you are right handed, start at the left end of the strip. If you are left handed, start at the right end. The first cut will be awkward, but subsequent cuts will be natural.



One cut edge of the strip now becomes the baseline or bottom edge of the Kaleido-Angles. The blunt tip of the Kaleido-Ruler should be perfectly aligned with the opposite cut edge of the strip. The cut edges of the strips become the top and bottom edges of the Kaleido-Angles. Cut the sides of the first triangle. Rotate the Kaleido-Ruler 180°, realign and cut next the next piece. Continue rotating the ruler to cut additional triangles.

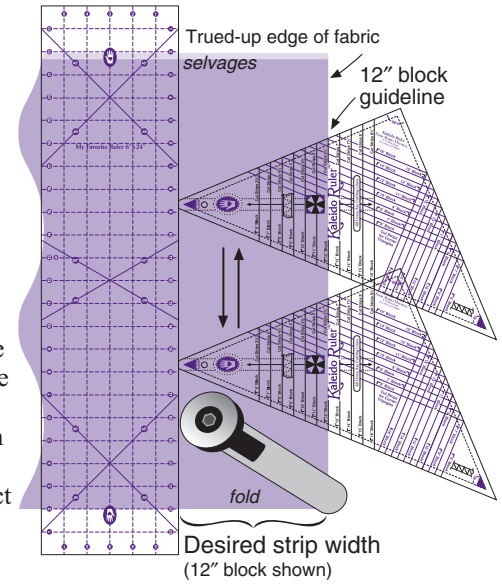
## 1. Measure Strip Width for Kaleido-Angles

*Right-handed:* Measuring from the right side means you don't have to go around the table or lift or turn fabric.

*Left-handed:*

Turn the diagram upside down and measure as shown.

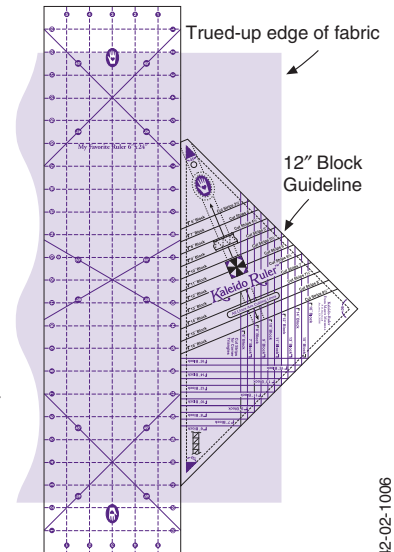
Position the Kaleido-Ruler so the line for the desired block size is on the trued-up edge of the fabric. Place a large ruler against the blunt tip, aligning a horizontal line with the fold. Carefully slide the Kaleido-Ruler along the cut edge to confirm that the edge of the large ruler is the correct distance from the edge of the fabric. Remove



## 3. Measuring Strip Width for Corner Triangles

Use the guidelines parallel to the longest edge of the Kaleido-Ruler to "Cut Strips for Corner Triangles."

- Align the guideline for your desired block size (ours is 12") with the trued-up edge of fabric. The ruler will be on the right edge of the fabric if you are right handed and the left if you are left handed.
- Position another ruler against the long edge of the Kaleido-Ruler.
- Remove the Kaleido-Ruler and cut against the large ruler to get the corner triangle strips.



copyright 2006  
Martha G Michell  
8642-01-1006