

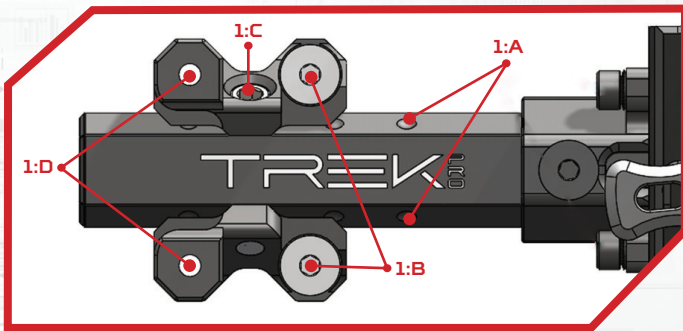


CUSTOM BOW EQUIPMENT

TREK PRO SIGHT INSTRUCTIONS

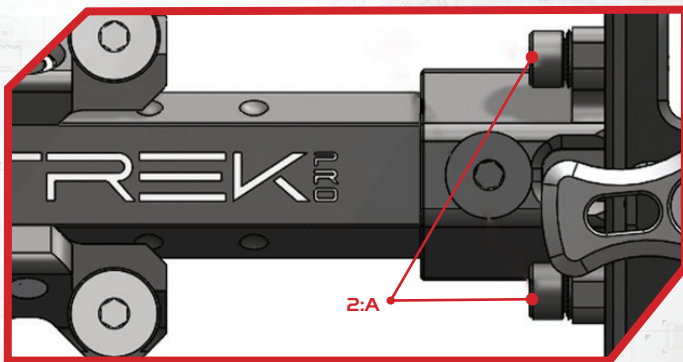
MOUNTING YOUR SIGHT

Your Trek Pro has an adjustable light weight Carbon Bar Mounting system that has four different click detent locations to mount your sight at the optimal position (1:A). Mount your sight to your bow with the 2, #10-24 x 5/8" screws provided (1:B). Set your carbon bar mounting location with the provided 5/16"-24 set screw (1:C) by using a 5/32" Allen/ Hex wrench to select between the four positions. There are 2, #10-24 holes located on the riser bracket for quiver mounting if necessary (1:D).



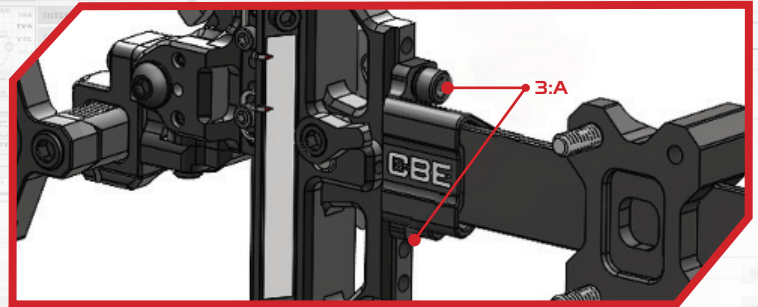
UP & DOWN / ELEVATION GANG ADJUSTMENT

To adjust all the pins up or down at once, remove the (2) #8-32 screws and ribbed washers (2:A) with a 9/64" Allen/ Hex wrench. Move the riser bracket to the desired position and reinstall the screws and washers. Snug the screws when complete.



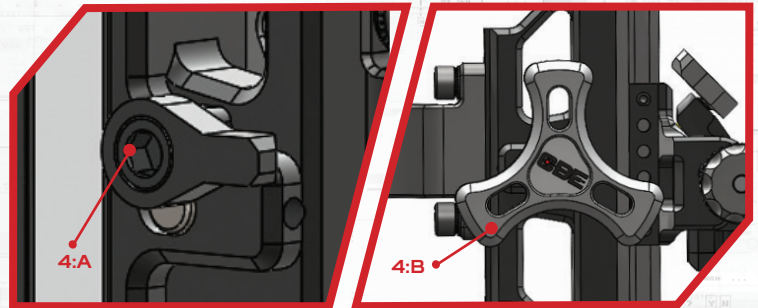
1ST AXIS LEVELING ADJUSTMENT

To adjust the 1st axis on your CBE Trek Pro sight, loosen, but do not remove the (2) #8-32 screws attached to the Elevation Mount (3:A) with a 9/64" Allen/ Hex wrench. The CBE Trek Pro Carbon Dovetail Bar Mount has two mounting slots that allow for precision first axis adjustment (3:A). Align your sight to the desired position and tighten the #8-32 screws when complete.



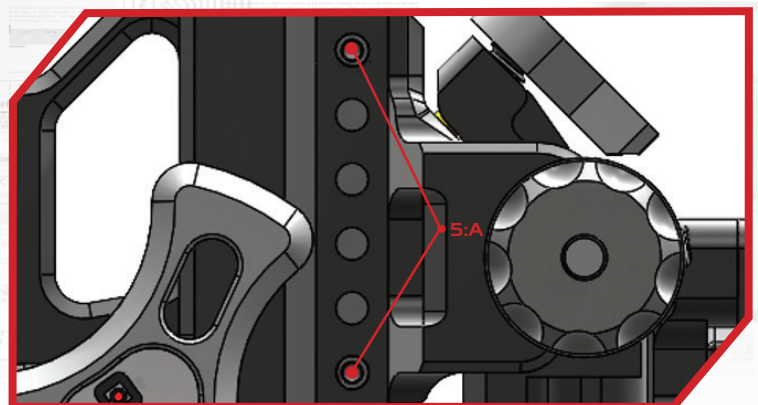
UP & DOWN / ELEVATION HYBRID ADJUSTMENT

To adjust the sight up or down (also known as elevation), unlock the lock lever (4:A) and use the elevation knob (4:B) to adjust the position. Once your housing is in the desired position, place the lock lever into the locked position.



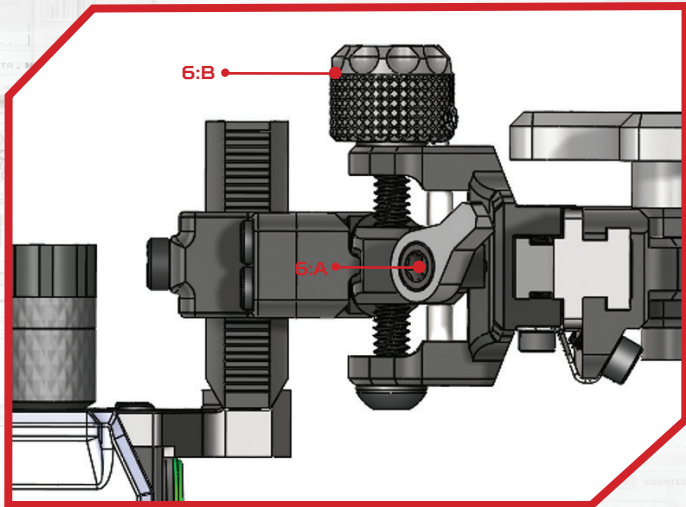
UP & DOWN / ELEVATION DELRIN ADJUST

To adjust the Delrin mount position, loosen, but do not remove, the four #6-32 set screws (5:A) using a 1/16" Allen/ Hex wrench. Move the Delrin mount to the desired position and ensure it is pushed into the Delrin all the way (toward the riser bracket). Retighten all four set screws evenly when complete. This Delrin adjustment is mentioned later in Step 1 of the sighting in section.



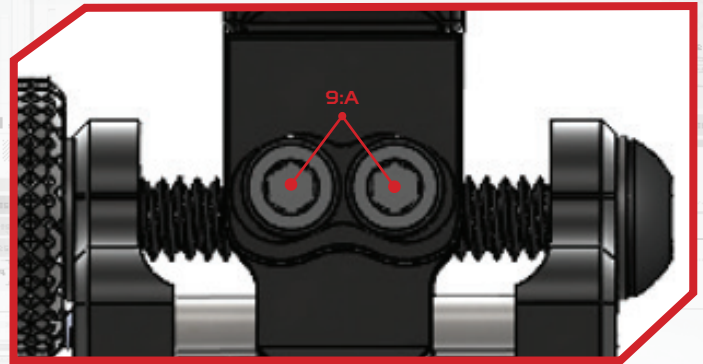
MICRO LEFT & RIGHT / WINDAGE ADJUSTMENT

To micro adjust your sight left or right (also known as windage), loosen the lock lever (6:A) and rotate the windage knob (6:B) until the scope housing is in its desired location. Once it is complete, lock down the windage with the lock lever. If desired, use a 9/64" Allen/ Hex wrench to tighten down the lock lever.



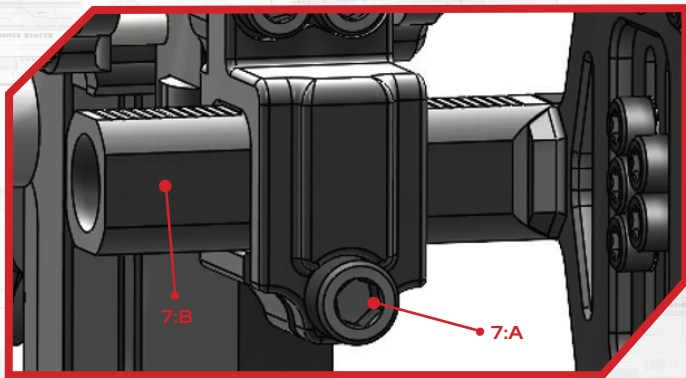
3RD AXIS ADJUSTMENT

To adjust the 3rd axis, loosen, but do not remove, the (2) #6-32 (9:A) screws with a 7/64" Allen/ Hex wrench. Rotate to the desired position. Once it is set, lock down with both screws.



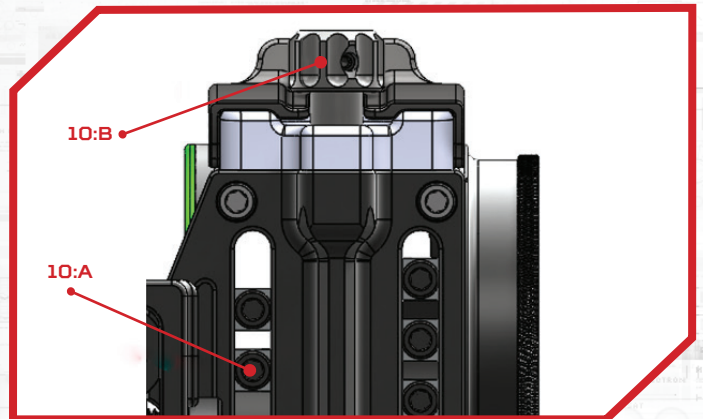
LEFT & RIGHT / WINDAGE GANG ADJUSTMENT

To adjust all the pins left or right at once, loosen the #8-32 screw with a 9/64" Allen/ Hex Wrench (7:A) and slide the windage tube (7:B) to the desired location. Then, tighten down the screws.



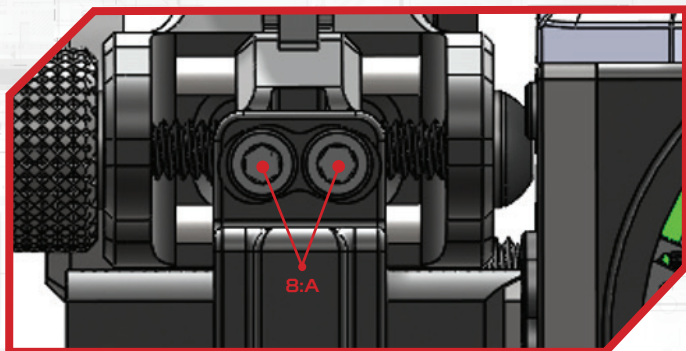
SIGHT PIN ADJUSTMENT

Pins can be individually micro adjusted by loosening the #4-40 (10:A) screw with a 5/32" Hex for the desired pin. Back out the screw 3 1/2 revolutions (or about .075") to engage the lead screw. Once the pin is engaged on the lead screw, rotate the pin knob (10:B) to adjust pin location. Once your pin is set to the desired location, lock down the pin with the 5/32" Hex until tight. Repeat these steps to adjust the additional pins. **Important: Do Not Over-tighten.**



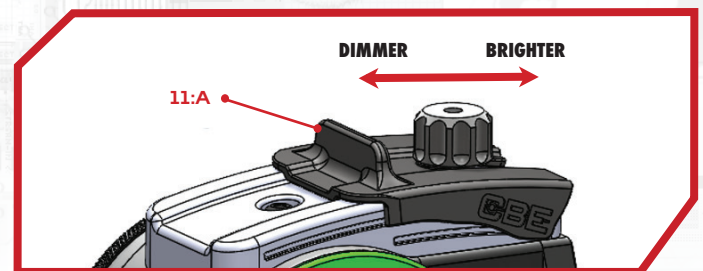
2ND AXIS ADJUSTMENT

To adjust the 2nd axis on the Trek, loosen but do not remove, the (2) #6-32 (8:A) screws with a 7/64" Allen/ Hex wrench that is attached to the windage housing. Level the 2nd axis by rotating the housing until level and retighten the screws.



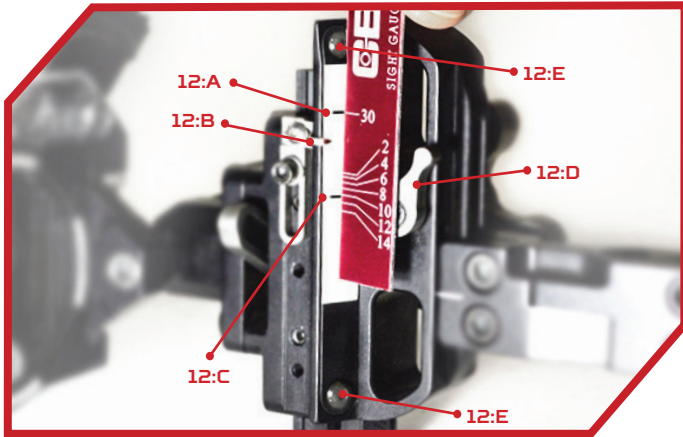
SLIDING FIBER COVER

Your CBE Trek Pro comes with an adjustable Sliding Fiber Cover (11:A). If your pins are too bright, you can simply slide the cover over the fibers to allow less light to enter. If the pins are not bright enough, just slide the cover the other way to expose the fibers to the natural light.



SIGHTING IN YOUR TREK SIGHT USING THE SIGHT TOOL TAPE

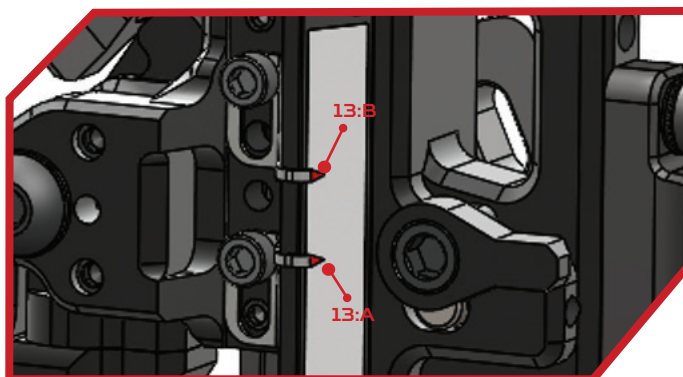
STEP 1: The first step to sighting in your Trek Pro is to loosen the lock lever (12:D) and rotate the elevation adjustment knob (4:B) counterclockwise to raise the Rapid Drive system to the maximum hard stop position (top). This allows you to achieve your sights greatest range of motion, and to achieve a hard stop for your top pin distance. The second step is to set your top pin to a desirable spot within your housing. If you are shooting a multi-pin sight, make sure to leave enough room for sighting in the rest of your pins below (10:A,10:B). Now, use the gang elevation adjustment (2:A)



and the Delrin adjustment (5:A) to sight in your 20-yard TOP PIN **WITHOUT** moving the Hybrid Drive system or the individual pin from the spot you placed it within the housing. These secondary gang and Delrin adjustments will sight in your 20-yard TOP PIN while at the same time setting it to the top of the sights elevation range.

STEP 2: FINDING THE RIGHT HYBRID DRIVE SCALE

If sighting in a multi pin sight, you should now adjust any additional pins to desired distance using step (10:A & 10:B). At this point, all your pins should be dialed in with the hybrid drive still in the maximum up position. Now you can start sighting in your scales. Using your TOP PIN, sight in to 30 yards using **ONLY** the hybrid drive elevation adjustment to bring the pin down (4:A,4:B). Mark the scale at 30 yards. Using your TOP PIN, sight in to 60 yards using **ONLY** the hybrid drive elevation adjustment to bring the pin



down (4:A,4:B). Mark the scale at 60 yards. Use the provided CBE Sight Scale Gauge to determine the appropriate number sight scale for your setup (12:A,12:C). Install this sight scale by removing the screws (12:E) and reinstalling them with the desired sight tape.

STEP 3: SETTING YOUR INDICATOR(S)

Move the hybrid drive back to the top 20-yard hard stop position. Remove the #4-40 (13:B) screw holding the indicator. Set the indicator pointer to 20 yards. This will make your top pin a floater.

If a second floater pin is desired, set the second lower (13:A), indicator pin to whatever yardage that pin is sighted in to based on your pin gaps. The top indicator should still be set to 20 yards. For example, on a 3-pin sight where the pin gaps are set to 20-30-40, if you wanted the second pointer to be a bottom pin indicator, you would adjust it to point at 40 yards while the top indicator is pointed to 20. This will allow the user to utilize the top or bottom pin as a floater.

THANK YOU FOR CHOOSING CUSTOM BOW EQUIPMENT!

WARRANTY SERVICES:

IMPORTANT: In the unlikely event that you require service on your product, please contact Customer Service at 1 (877) 503-5483. If necessary, our Customer Service Agents will provide you with a Return Merchandise Authorization (RMA) number and instructions on how to ship the product(s) back. It's important that you contact a Customer Service Agent before returning any item. Please be sure to include your RMA number when returning an item, so that we can identify the return as yours. **Without the RMA, we will not be able to process your return, and your item will not be returned to you.**

PATENT INFORMATION

This product is covered by one or more patents. A complete list of Custom Bow Equipment patents can be found by visiting custombowequipment.com/pages/patents

LIABILITY DISCLAIMER

The Outdoor Group, LLC is not liable for any personal injury, death, or property damage that may result from your use of this product. The user of this product assumes all risks of property damage or injury to yourself and others that may arise from its use. Use of this product binds the user to this agreement.

THE OUTDOOR GROUP, LLC

1325 John Street, West Henrietta, NY 14586

(877) 503-5483

www.custombowequipment.com



CBE®

CUSTOM BOW EQUIPMENT



TORX

CBE HUNTING

The CBE Torx Hunting Kit features an ultra-stiff, high modulus, light weight carbon construction that is easy to adjust and switch out on the fly to make your shot count in a moment's notice.



**TAKE A PHOTO
TO VIEW ALL
CBE PRODUCTS**



TORX HUNTING KIT

- › HIGH MOD LIGHT WEIGHT CARBON
- › INCLUDES (1) 7" AND (1) 11" STABILIZER
- › TORX STEALTH DAMPENR INCLUDED ON EACH STABILIZER
- › 2^{0Z} OF BLACK NITRIDE STAINLESS STEEL WEIGHTS INCLUDED ON EACH STABILIZER
- › TORX SINGLE BOW MOUNT INCLUDED
- › ULTIMATE HUNTING STABILIZER PACKAGE
- › INCREASE STABILITY OF YOUR BOW
- › VIBRATION REDUCING DESIGN
- › ABLE TO MOUNT TO THE FRONT OR BACK OF THE RISER
- › ADAPTER INCLUDED FOR USE ON THE FRONT OF THE RISER
- › 7" AND 11" STABILIZERS ALSO SOLD SEPARATELY