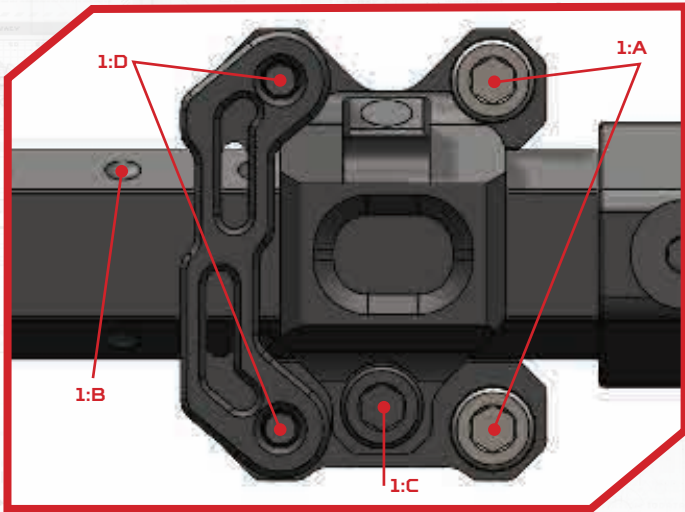




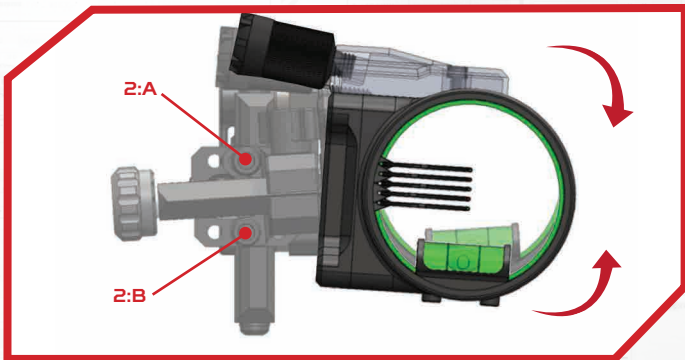
CUSTOM BOW EQUIPMENT

CX5 SIGHT INSTRUCTIONS



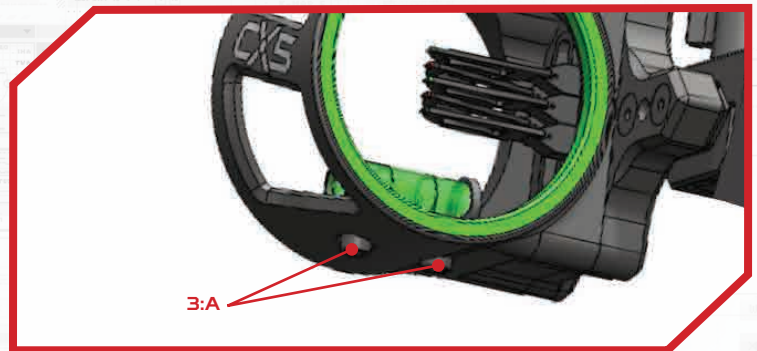
MOUNTING YOUR SIGHT

Your CX5 Sight has an adjustable Dovetail Mounting system. With the Dovetail Mount system, you have 4 positions to mount your sight in the optimal location. Mount your sight to the bow with the 2, #10-24 x 5/8" screws provided (1:A). Set your dovetail mounting location with the ball indentation markings on the carbon bar (1:B). Clamp the bar in place using a 5/32" Hex to tighten the clamping screw (1:C). There are 2, #10-24 holes located on the quiver bracket for quiver mounting if necessary (1:D).



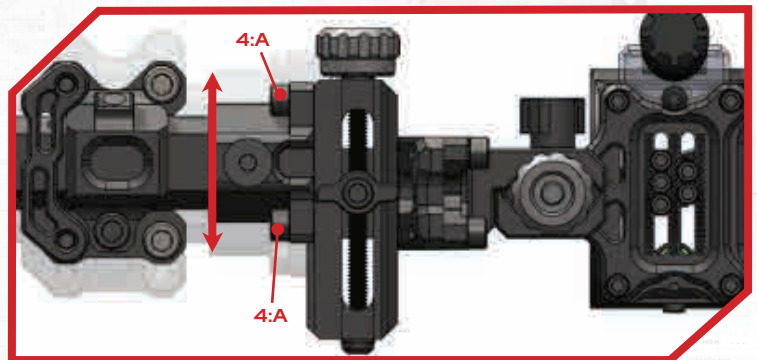
2ND AXIS LEVELING ADJUSTMENT

To adjust the 2nd axis on the CX5, loosen (do not remove) both the #8-32 (2:A, 2:B) screws with a 9/64" Hex attached to the elevation mover. Level the 2nd axis by rotating the housing until level and retighten the screws.



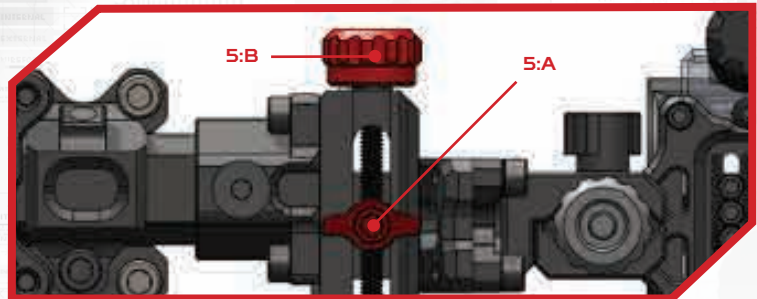
3RD AXIS ADJUSTMENT

To adjust the 3rd axis, loosen (do not remove) both #440 (3:A) screws with a 3/32" Hex. Move the bubble level to the desired position, then lock down both screws.



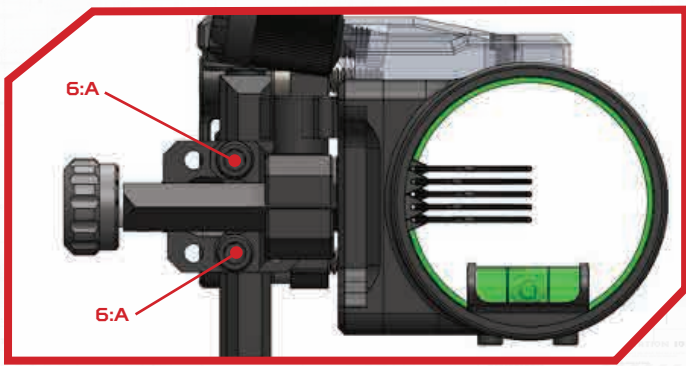
ELEVATION GANG ADJUSTMENT

To gang adjust elevation, remove both the #8-32 screws (4:A) with a 9/64" Hex. Move one of the 4 desired mounting location and reinstall the screws. Tighten the #8-32 screws when complete.



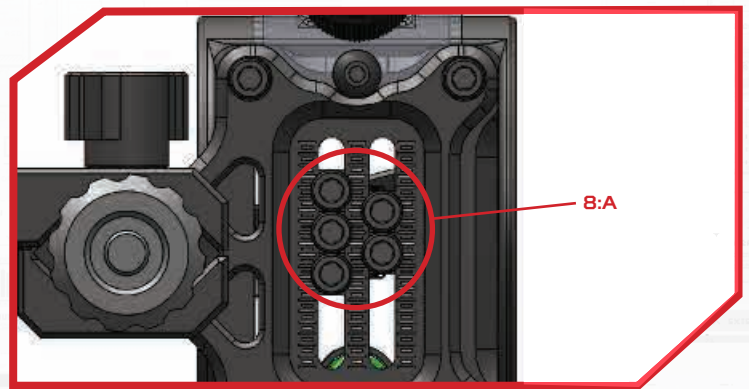
ELEVATION MICRO ADJUSTMENT

Unlock the Lock Knob using a 9/64" Hex. (5:A) Use the elevation knob to adjust the position of your scope housing (5:B). Set your scope housing to the desired position. Once set, tighten down the lock knob. Rotate Elevation knob clockwise to move up, and Counter-Clockwise to move down.



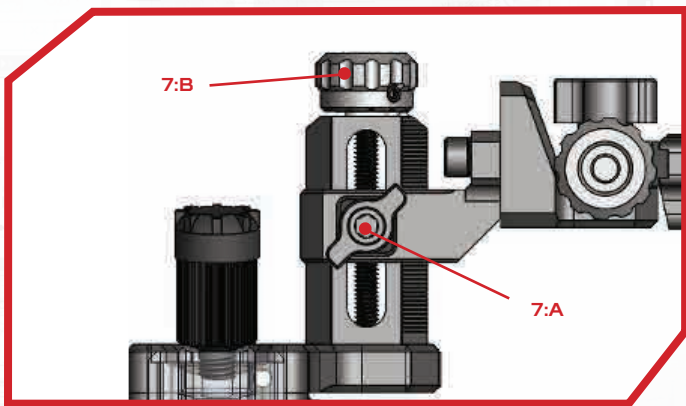
WINDAGE GANG ADJUSTMENT

To gang adjust windage, remove both the #8-32 screws with a 9/64" Hex (6:A). Set your 2nd axis mount into one of the 3 different desired mounting locations and tighten down the screws.



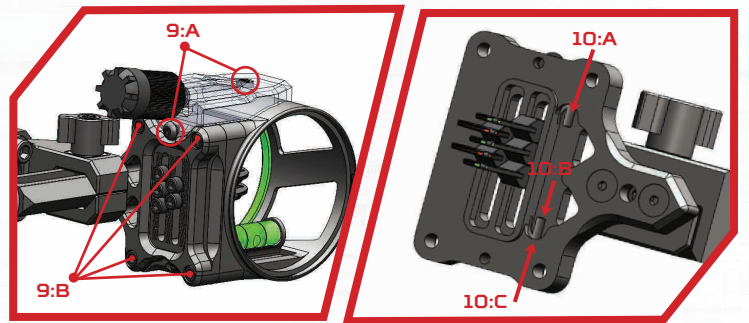
SIGHT PIN ADJUSTMENT

Pins can be moved individually by loosening the #4-40 screw using a 3/32" Hex and moving the pin to the desired location. Retighten the screw when complete (8:A).



WINDAGE MICRO ADJUSTMENT

To micro adjust windage, loosen the Lock Knob (7:A). Rotate the Windage Knob (7:B) until the scope housing is in its desired location. Once it is complete, lock down the windage with the Lock Knob. If desired, use a 9/64" Hex to tighten down the Lock Knob.



FLIPPING FROM RIGHT HAND TO LEFT HAND

1. Remove the 2 screws from the fiber cover (9:A).
2. Remove the 4 screws from sight housing (9:B) using 3/32" hex.
3. Pull fibers out of the hole on top of the pin plate (10:A) and run them into the opposite hole on the bottom of the pin plate (10:B).
4. Flip the housing and reinstall screws. The bubble level should be at the top now.
5. Coil fibers 2x and stick end back into hole (10:C).
6. Reinstall fiber cover and screws.
7. Remove peep ring and flip to opposite side of housing.

THANK YOU FOR CHOOSING CUSTOM BOW EQUIPMENT!

THE OUTDOOR GROUP, LLC
1325 John Street, West Henrietta, NY 14586
(877) 503-5483
www.custombowequipment.com



LIABILITY DISCLAIMER

The Outdoor Group, LLC is not liable for any personal injury, death, or property damage that may result from your use of this product. The user of this product assumes all risks of property damage or injury to yourself and others that may arise from its use. Use of this product binds the user to this agreement.

WARRANTY SERVICES:

IMPORTANT: In the unlikely event that you require service on your product, please contact Customer Service at 1 (877) 503-5483. If necessary, our Customer Service Agents will provide you with a Return Merchandise Authorization (RMA) number and instructions on how to ship the product(s) back. It's important that you contact a Customer Service Agent before returning any item. Please be sure to include your RMA number when returning an item, so that we can identify the return as yours. **Without the RMA, we will not be able to process your return, and your item will not be returned to you.**

PATENT INFORMATION

This product is covered by one or more patents. A complete list of Custom Bow Equipment patents can be found by visiting custombowequipment.com/pages/patents