



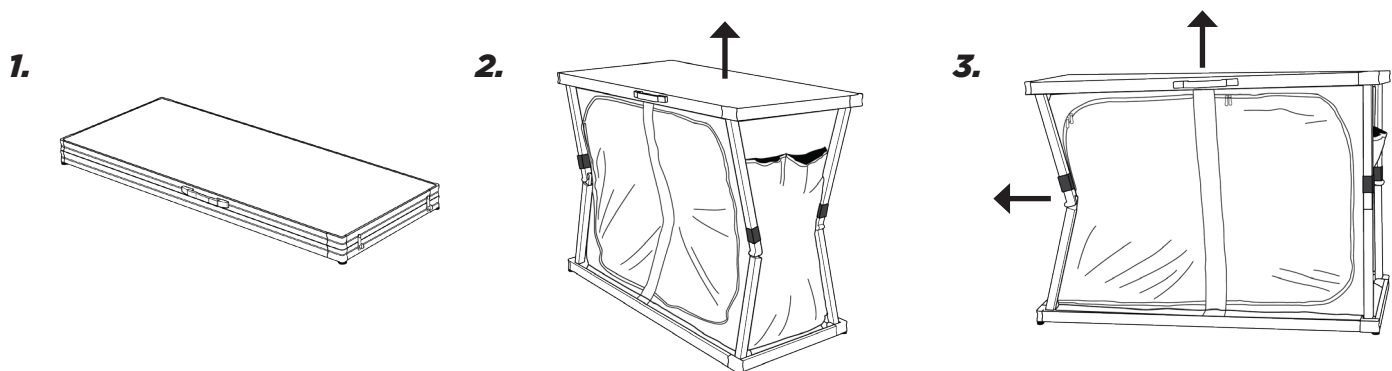
DOUBLE CAMPER CUPBOARD

OZA02FRDCA

INSTRUCTIONS

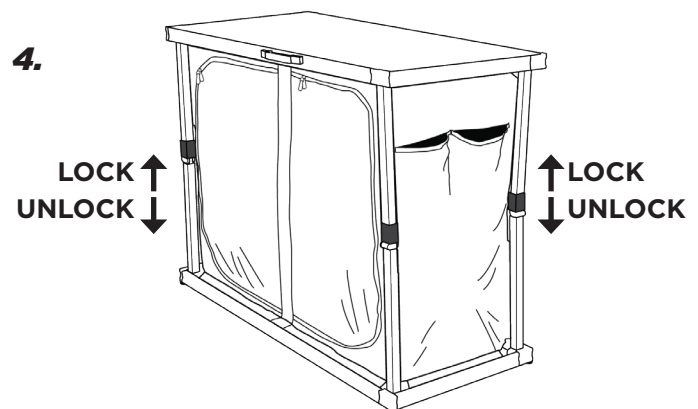
To Open:

- Lay on a flat surface and undo clips on the side of the folded cupboard
- Expand cupboard by lifting top and pulling out the hinged side supports
- Lock each side support by pushing down the orange safety locks until they click
- Once assembled, place the shelves into position.



To Close:

- Ensure all items have been removed from the cupboard
- Remove shelves and place them in the bottom of the cupboard
- Orange safety locks should be lifted up to release the hinged side supports
- Gently push in the four hinged side supports and allow the top of the cupboard to be pushed down.



Note:

- Make sure that all shelves are removed and placed in the bottom of the Camper Cupboard before folding down
- Make sure that all other items are removed from the Camper Cupboard before folding down
- Make sure safety locks have been locked into position before use
- Do not force frame as this could damage the hinges
- Make sure safety locks have been released before folding down
- Take care not to get fabric caught in hinges when folding