

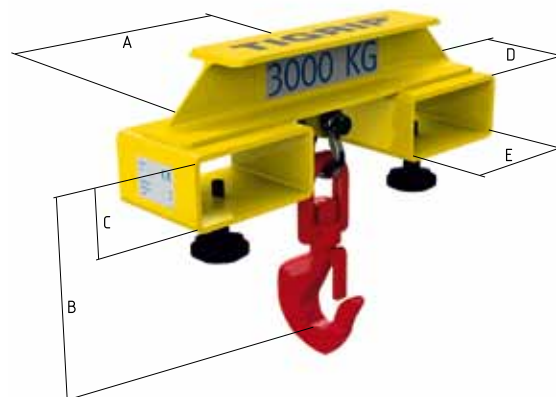
## Fork lift cross beam model TTS-Z

Capacity 2000 - 5300 kg

The model TTS-Z with two bags is used for forklift tines and has one centered, pivoting eye hook (do not pivot under load). The fork lift cross beam is fastened with two spindles and ensures safety while lifting.

### Option

- The fork lift cross beam is also available with dimensions for individual customer requirements.



### Technical data model TTS-Z

Model	Capacity kg	Height B mm	C mm	D mm	E mm	Weight kg
TTS 2,0/Z	2000	246	70	160	150	14.0
TTS 3,15/Z	3150	274	84	160	184	19.0
TTS 5,3/Z	5300	310	84	160	184	20.0

## Tine hook model TZH

Capacity 1500 - 10000 kg

For fastening hoisting equipment and loads to single forklift tines. The TZH are pushed onto the forklift tines and are fastened with two spindles. The pivoting as well as swivelling hook with safety latch ensures safety while lifting.



### Technical data model TZH

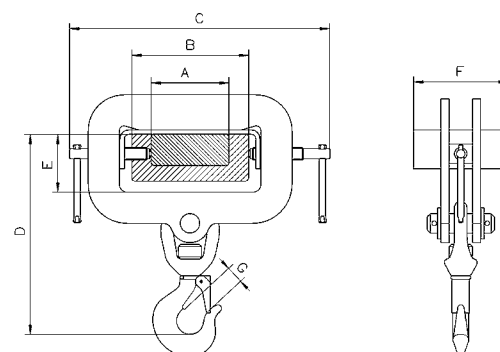
Model	EAN-No. 4025092*	Capacity kg	Weight kg
TZH 1,5/150	*557566	1500	7.2
TZH 3,0/150	*557580	3000	10.8
TZH 5,0/150	*557603	5000	17.3
TZH 5,0/200	*557627	5000	24.7
TZH 10,0/200	*557641	10000	43.0

### Dimensions model TZH

Model	TZH 1,5/150	TZH 3,0/150	TZH 5,0/150	TZH 5,0/200	TZH 10,0/200
A, mm	100	100	100	150	150
B, mm	150	150	150	200	200
C min., mm	310	350	350	440	440
C max., mm	360	400	400	490	490
D, mm	260	270	295	320	420
E, mm	74	74	74	94	94
F, mm	120	120	120	180	180
G, mm	25	28	34	34	45

## INFO

Attention must be paid to the working load limit of the single forklift tines.



Model TZH, swivel hooks, pivoting and swivelling