



Glanaco

Lifting365

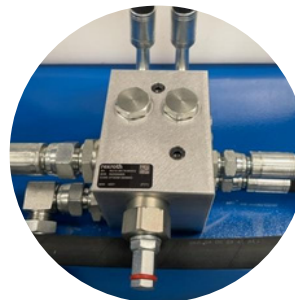
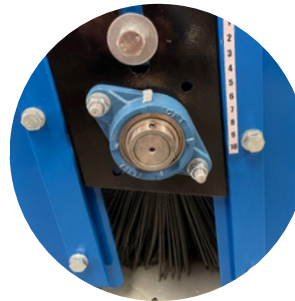
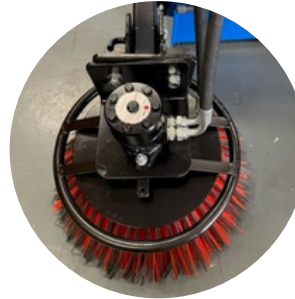
Attachment Sweeper



GS170

Forklift / Loader Sweeper

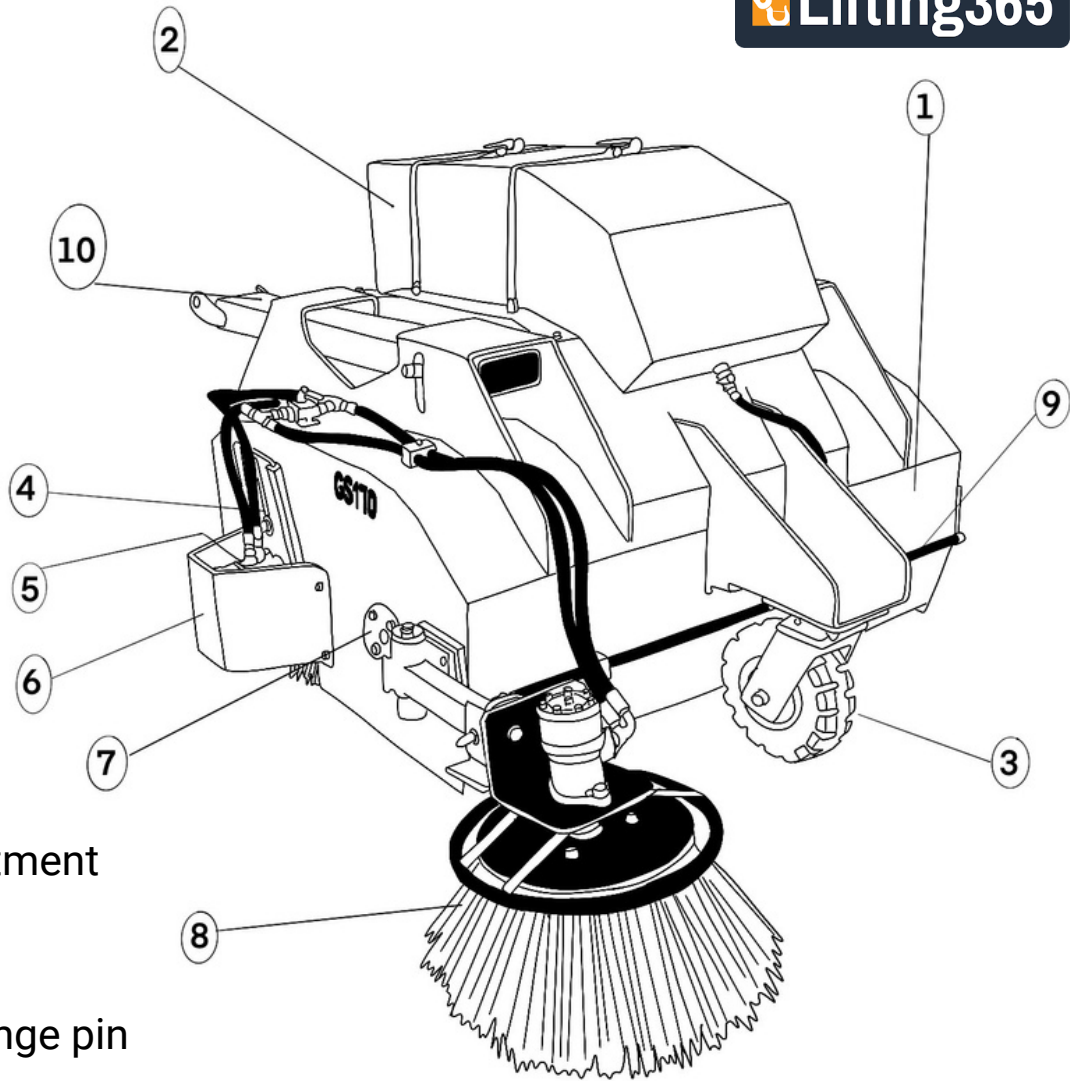
- 125 Ltr Gravity Water System
- 1.7 Meter Sweeping Width
- 400Ltr Debris Capacity
- Adjustable Fully Floating Main Broom
- Heavy Duty Rubber Wheels Castors
- Attachable Side Kerb Brush
- Optional Power Pack



Hydraulic

- Hydraulic Operation with Flow Restrictor
- Hydraulic Opening of Debris Container
- Hydraulic Closing of Debris Container
- Hydraulic Tech Pack ensures the Broom can only Sweep in the Correct Direction

Overall Width	Sweeping Width	Weight	LxWxH (mm)	Flow Rate	Width incl. Side Brush
1950mm	1700mm	450Kg	2050 x 1950 x 1000	35 ltr/min	2150mm



- 1. Main frame
- 2. Water tank 125Ltr
- 3. Front wheel
- 4. Brush height adjustment
- 5. Main brush motor
- 6. Motor cover
- 7. Debris container hinge pin
- 8. Side kerb brush
- 9. Gravity water spray bar
- 10. Floating fork pockets with locking pins