



The GS Range

Attachment Sweepers

GS140 | GS170 | GS200 | GS240

Designed and built in Ireland, our latest GS range of road sweeper collectors are ideal for heavy applications, such as construction, timber / lumber yards, DIY providers and other heavy industries.

Now with a choice of 4 models, there is a size and specification for most applications and are designed to suit most forklifts, telehandlers and loaders.

The GS Range



GS140



GS170



GS200

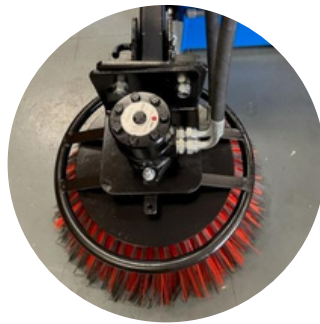


GS240

Model	Overall Width	Sweeping Width	Weight	Collector Bin	LxWxH (mm)	Flow Rate	Width Incl. Side Brush	Water tank
GS140	1650mm	1400mm	380Kg	350 ltr	2050x1650x1000	35 ltr/min	1900mm	125 ltr
GS170	1950mm	1700mm	450Kg	400 ltr	2050x1950x1000	35 ltr/min	2150mm	125 ltr
GS200	2250mm	2000mm	540Kg	525 ltr	2050x2250x1000	35 ltr/min	2500mm	250 ltr
GS240	2650mm	2400mm	790Kg	690 ltr	2000x2650x1000	35 ltr/min	2900mm	250 ltr



Broom height adjustment



Side brush optional



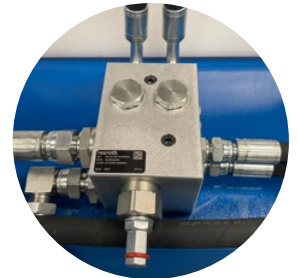
Heavy duty wheels and castors



Side motor protection

If your carrier vehicle lacks hydraulic capabilities, an independent petrol or diesel power pack can also be added to any GS Sweeper Attachment.

Hydraulic manifold ensures the brush only sweeps in one direction.

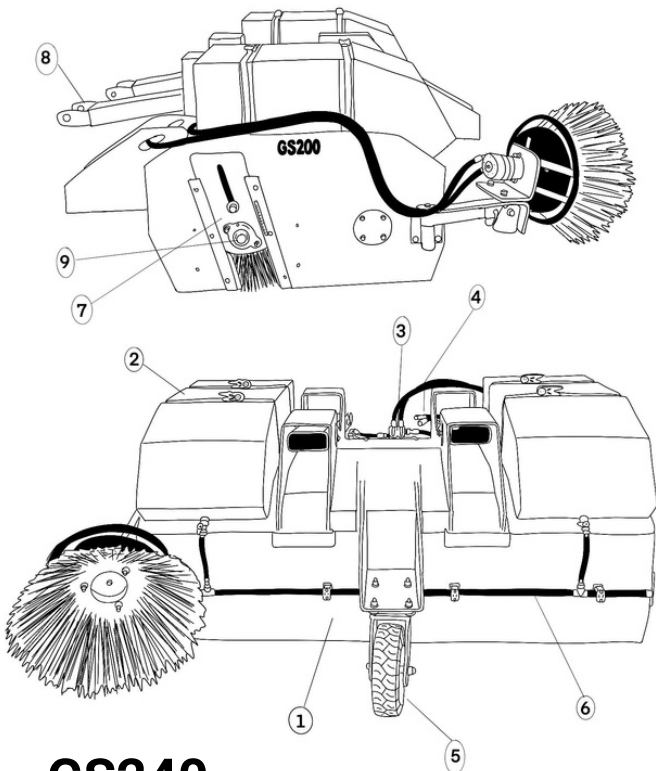
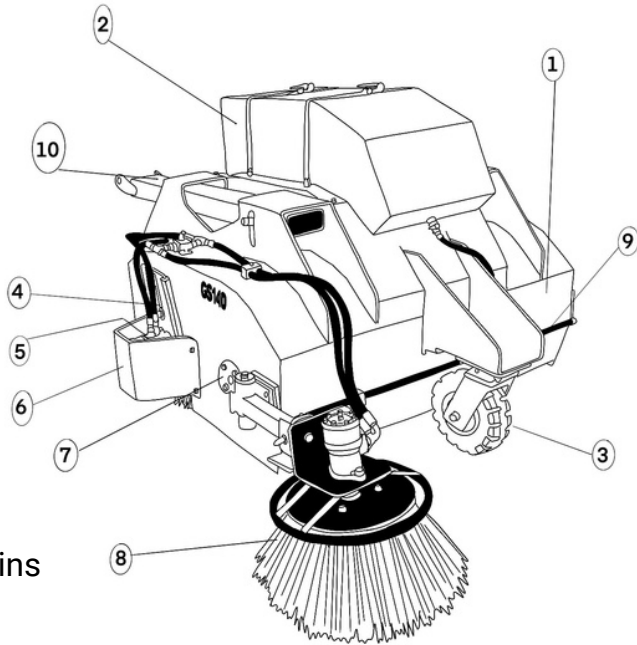


Brushes made from 100% recycled plastics.



GS140 | GS170

1. Main frame
2. Water tank 125 ltr
3. Front wheel
4. Brush height adjustments
5. Main brush motor
6. Motor cover
7. Debris container hinge pin
8. Side kerb brush
9. Gravity water spray bar
10. Floating fork pockets with locking pins

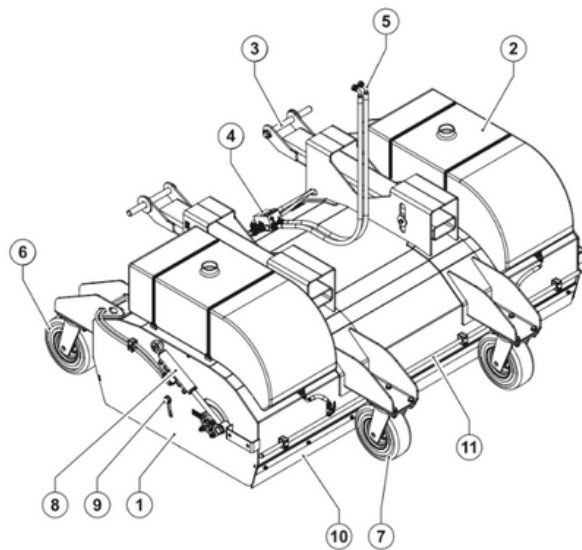


GS200

1. Main frame
2. 250 ltr watering kit for all
3. Hydraulic Manifold Block
4. Hoses for hydraulic connection
5. Front wheel and castor assembly
6. Gravity Water Spray Bar
7. Brush Height Adjustment
8. Floating Fork Pockets with locking pins
9. Brush bearing

GS240

1. Main frame
2. 250 ltr water tank
3. Floating Fork Pockets with locking pins.
4. Hydraulic block
5. Hoses for hydraulic connection
6. Rear wheel
7. Front wheel
8. Pickup bucket rotation jack
9. Brush position adjustment bolt
10. Dust Apron
11. Gravity Water Spray Bar



Pictures for illustration purposes only