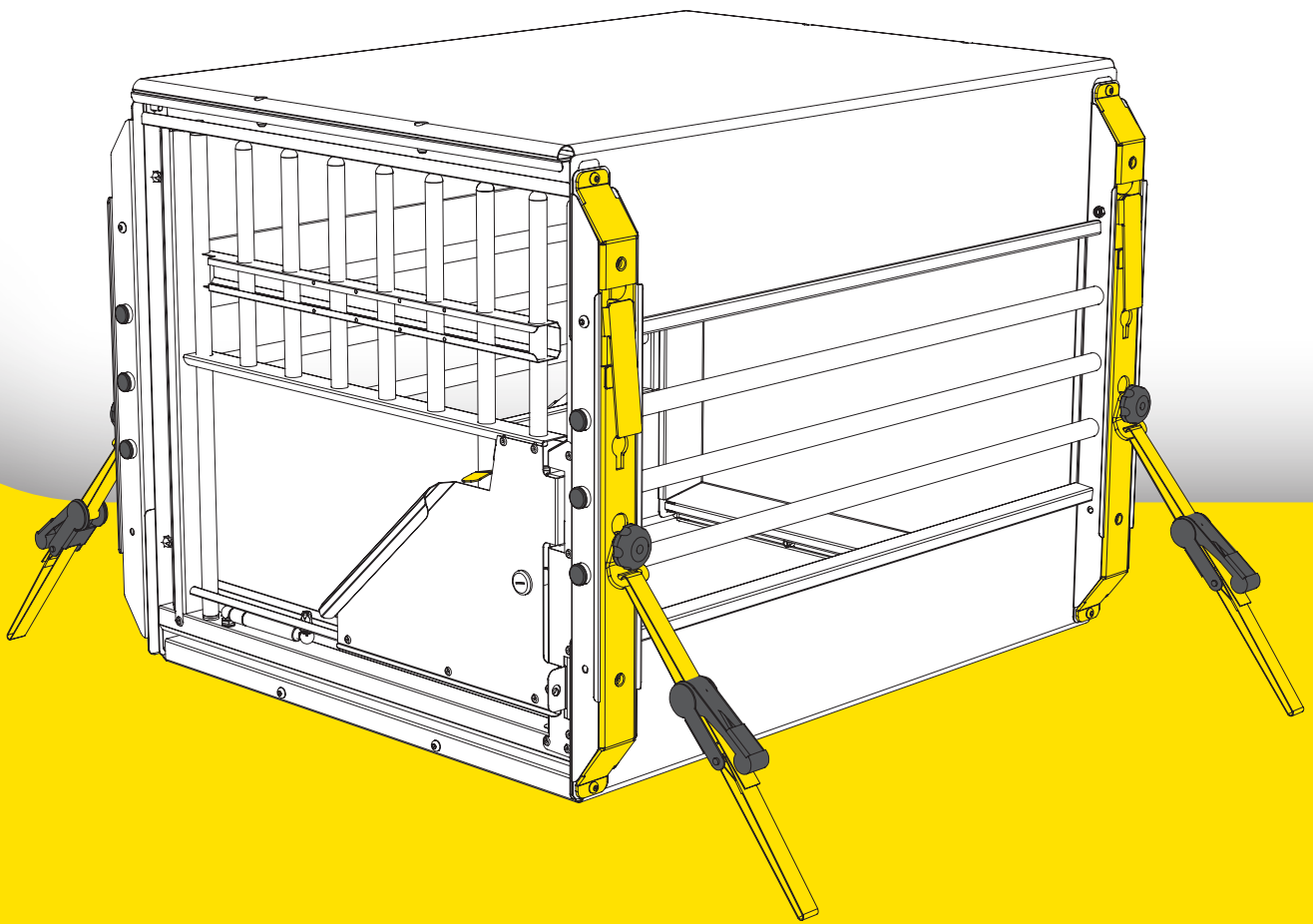


mimSAFE

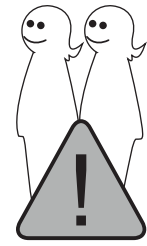
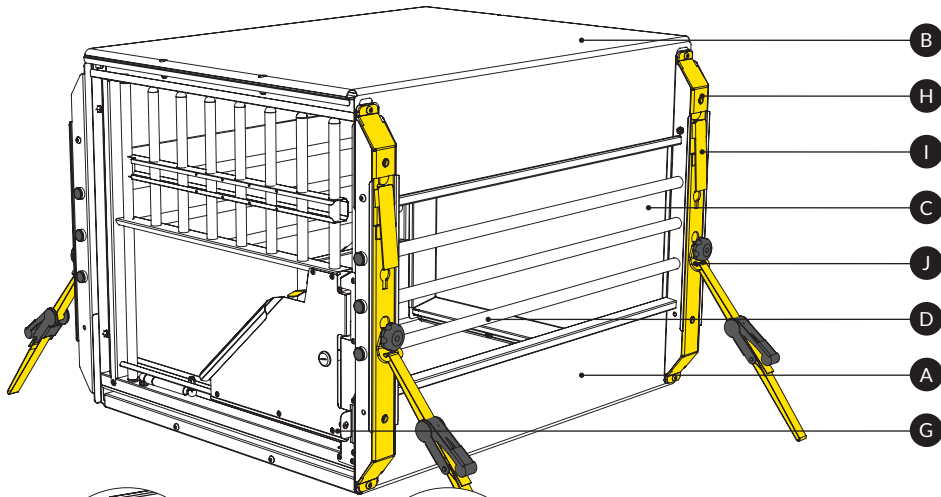
www.mimsafe.se



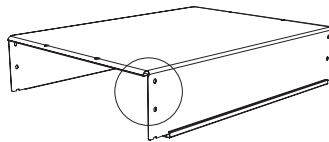
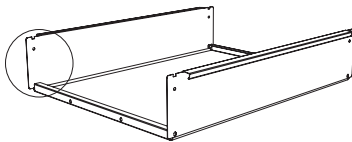
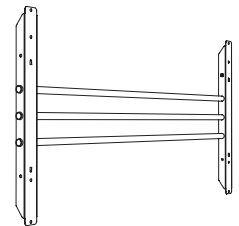
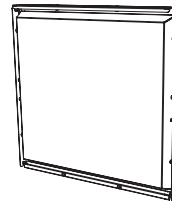
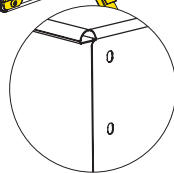
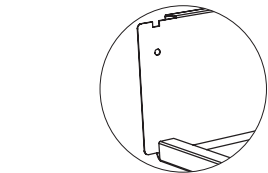
ASSEMBLY INSTRUCTIONS

MULTICAGE

single



IMPORTANT
Two-person assembly
recommendation



A Floor

B Roof

C Divider panel

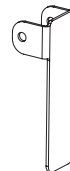
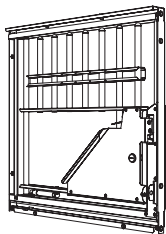
D Sidebars

6154A 6160A 6175A	1X
Product no	No of items

6154E 6160E 6175E	1X
Product no	No of items

6254J 6260J 6275J	1X
Product no	No of items

6154C 6160C 6175C	2X
Product no	No of items



G Door section

H Frame bar

I Handle

J Anchor

6254I 6260I 6275I	1X
Product no	No of items

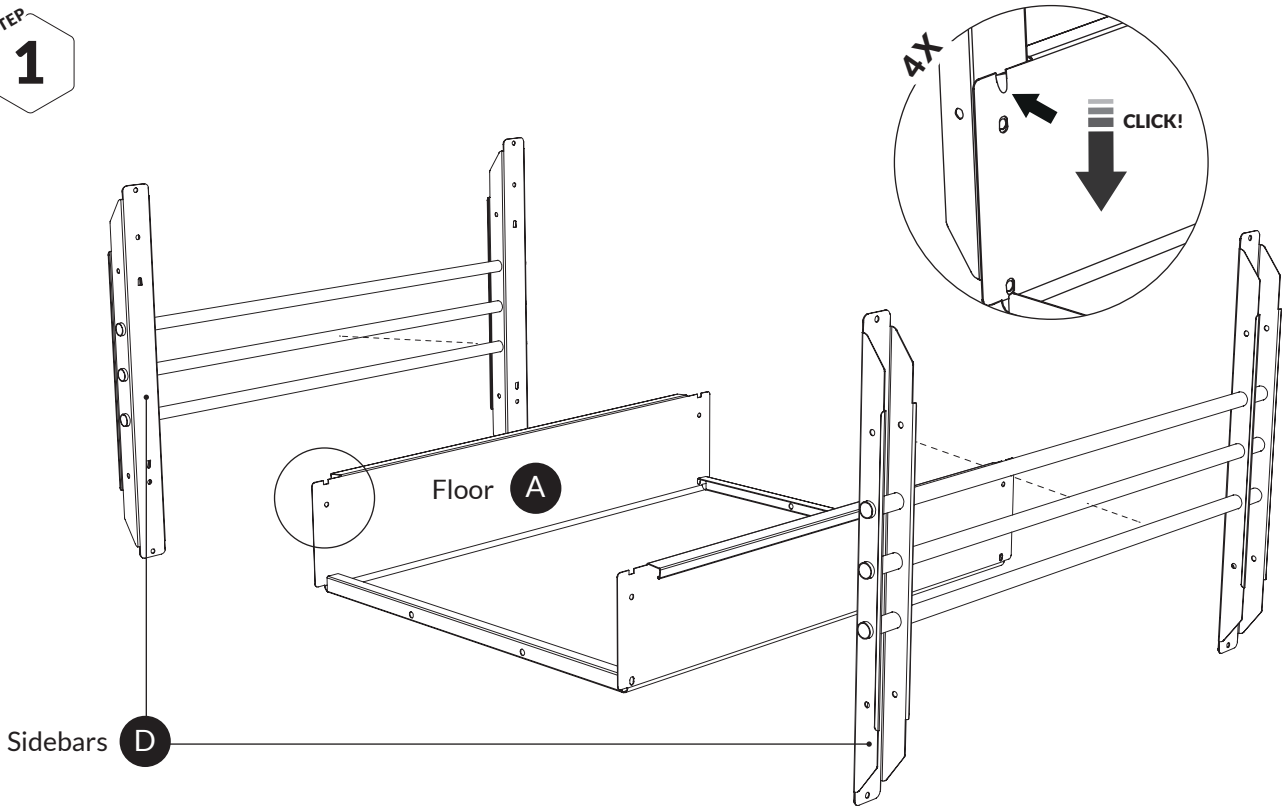
6254N 6260N 6275N	4X
Product no	No of items

6260P	4X
Product no	No of items

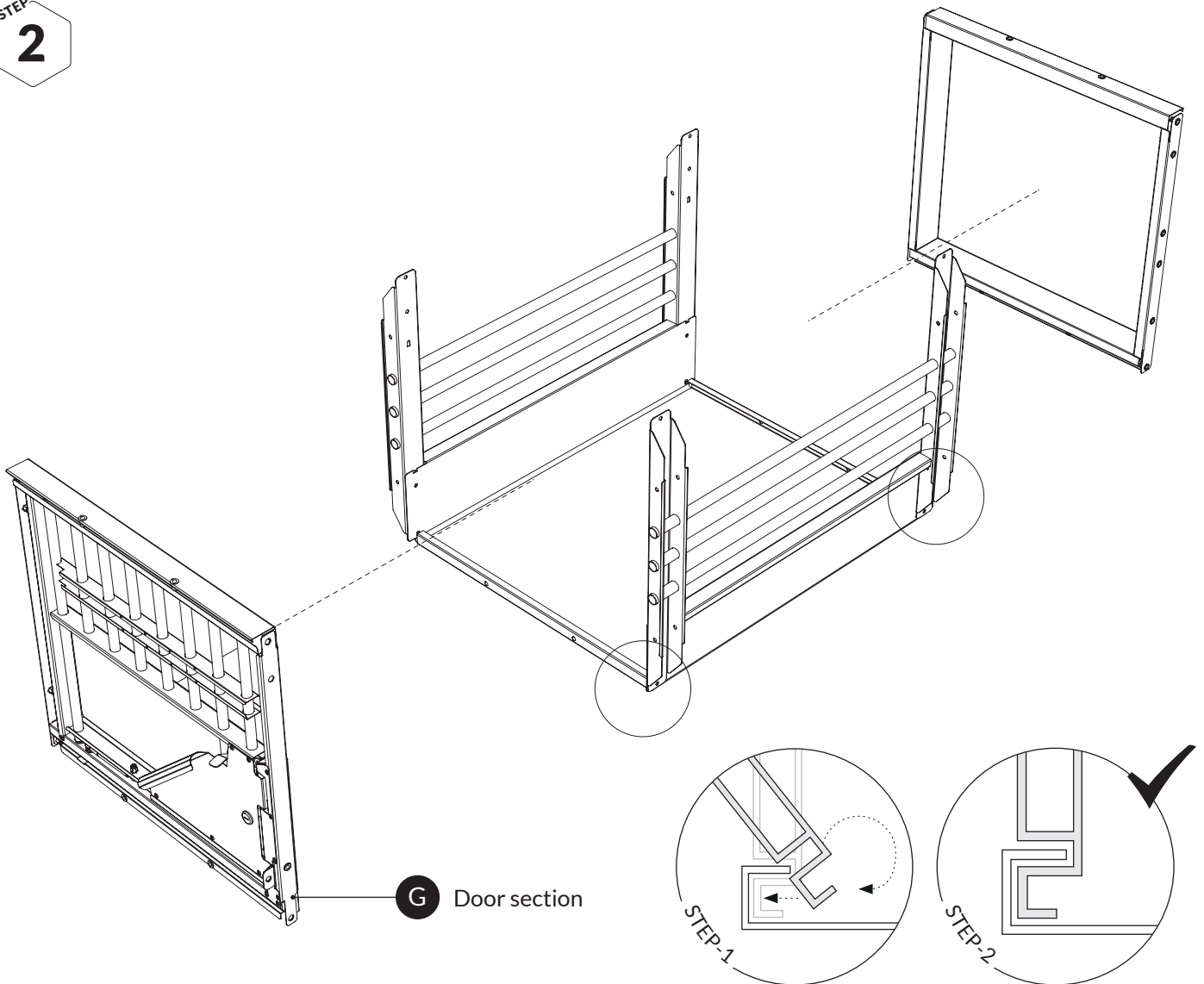
6260R	4X
Product no	No of items

<p>ALLEN KEY 4 1X</p>	<p>IKP1915-17S</p> <p>6154C - 8X 6160C - 12X 6175C - 20X</p> <p>plastic end caps</p>	<p>M-460641I</p> <p>4X</p>	<p>M-BR8x19x1,5S</p> <p>4X</p>	<p>M-VBM8x20S88</p> <p>4X</p>	
<p>M-10520</p> <p>4X</p>	<p>M-SM6x14IA</p> <p>24X</p>	<p>M-SM6x55-IK</p> <p>4X</p>	<p>M-MM6NyS</p> <p>4X</p>	<p>M-460641D</p> <p>4X</p> <p>rubber</p>	<p>Combination spanner</p> <p>1X</p>

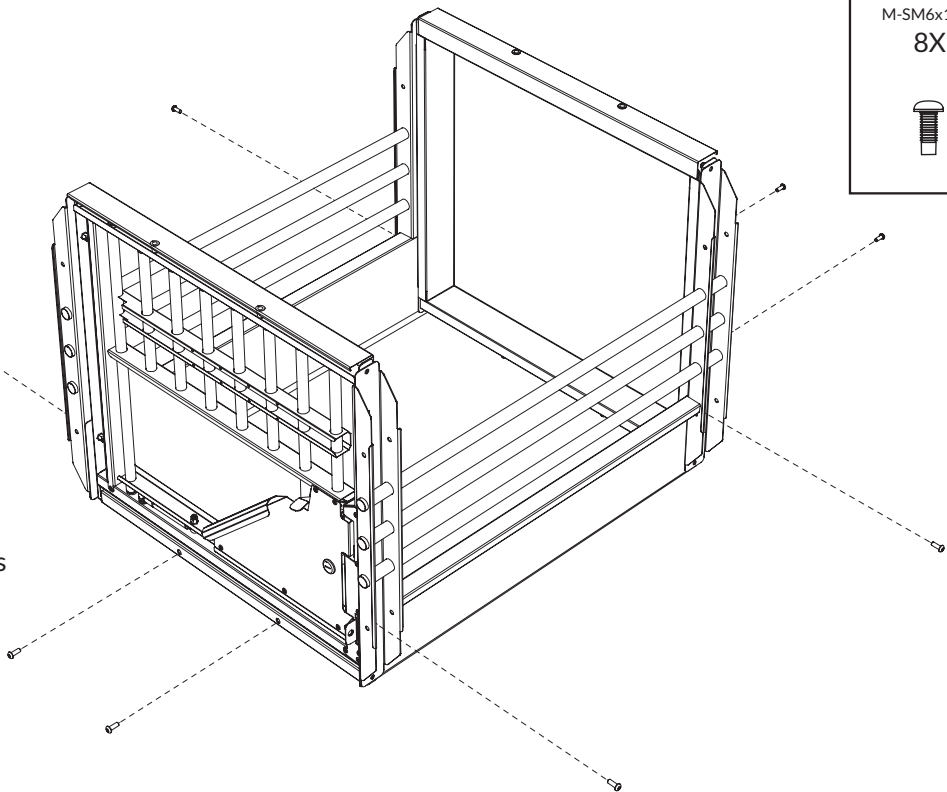
STEP
1



STEP
2



STEP
3

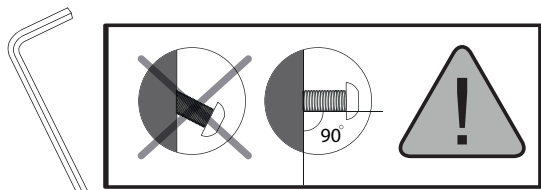


M-SM6x14IA
8X

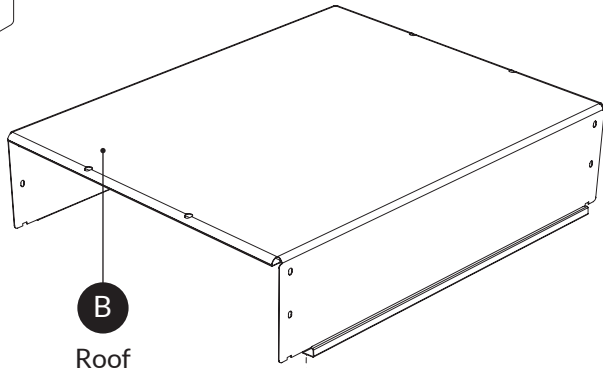


IMPORTANT

Gently insert all the screws
before tightening



STEP
4

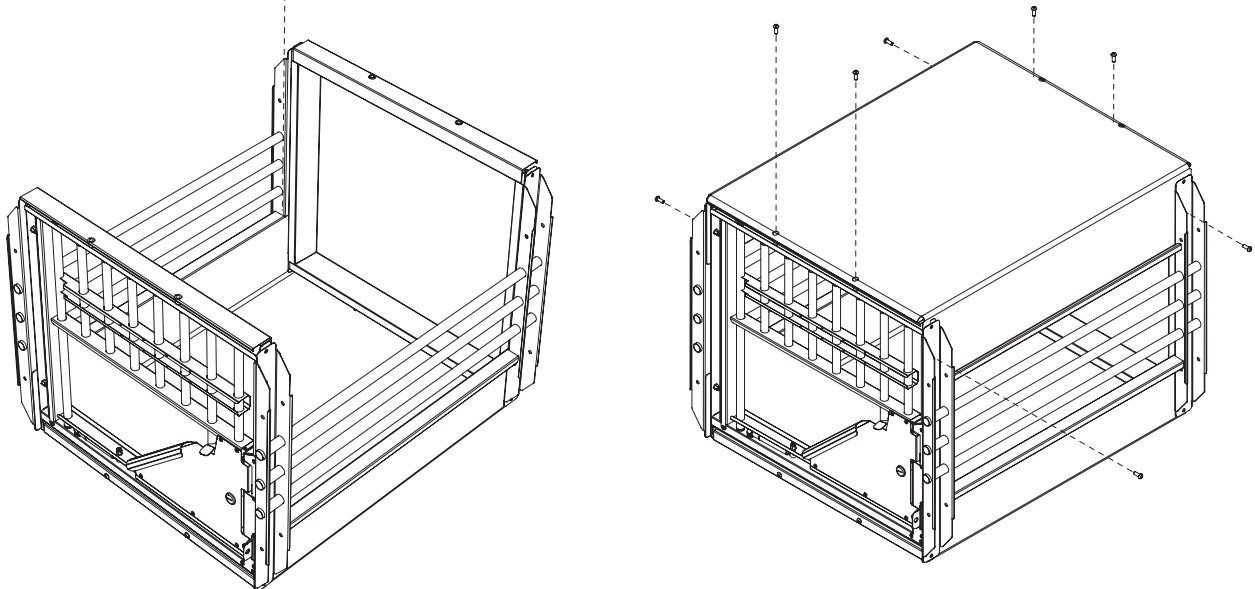


B
Roof

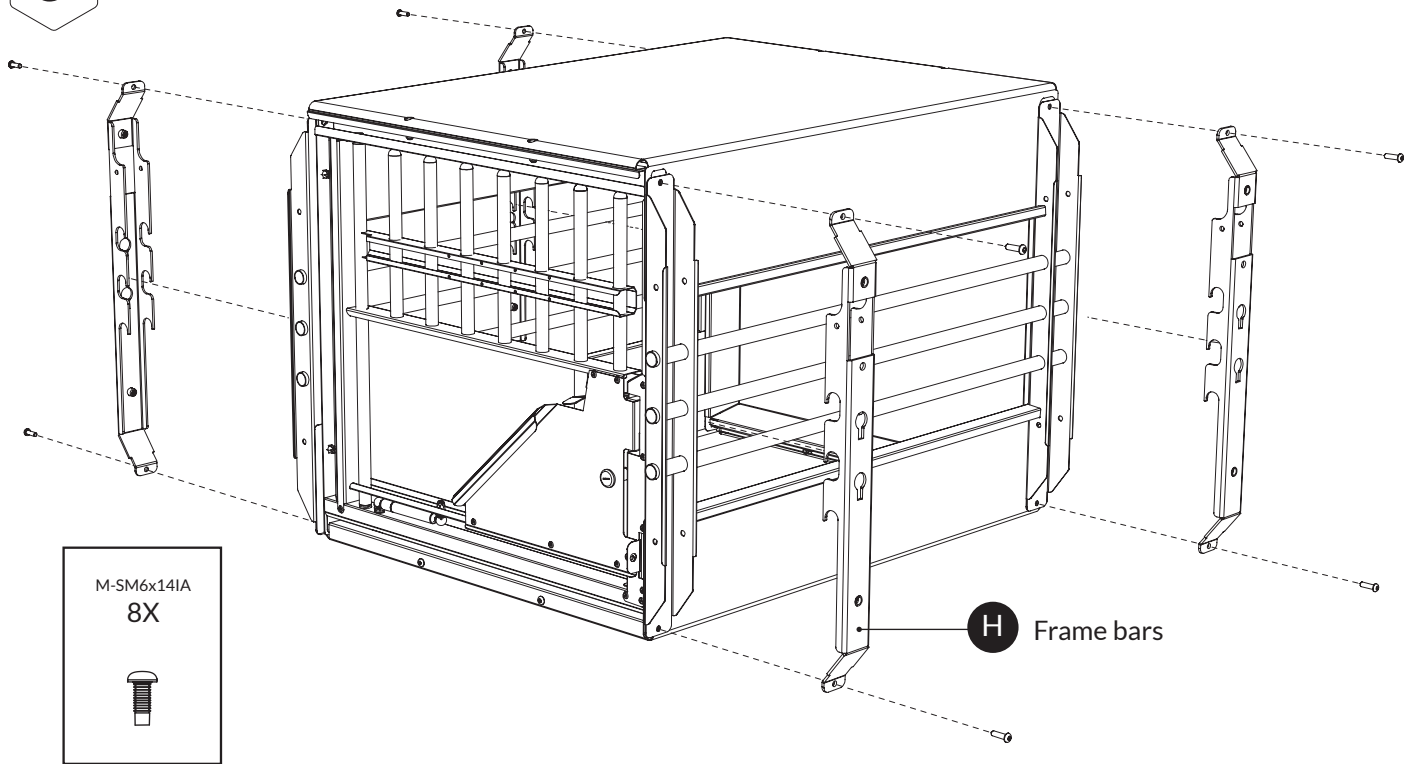


IMPORTANT
Gently insert all the screws
before tightening

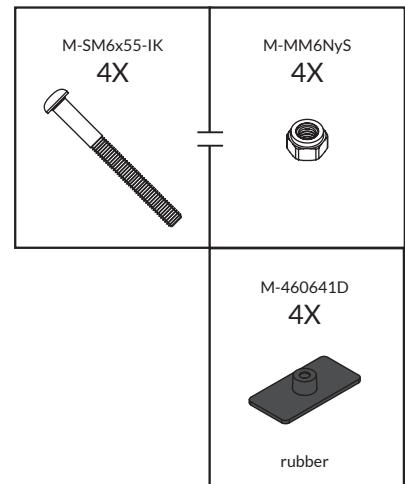
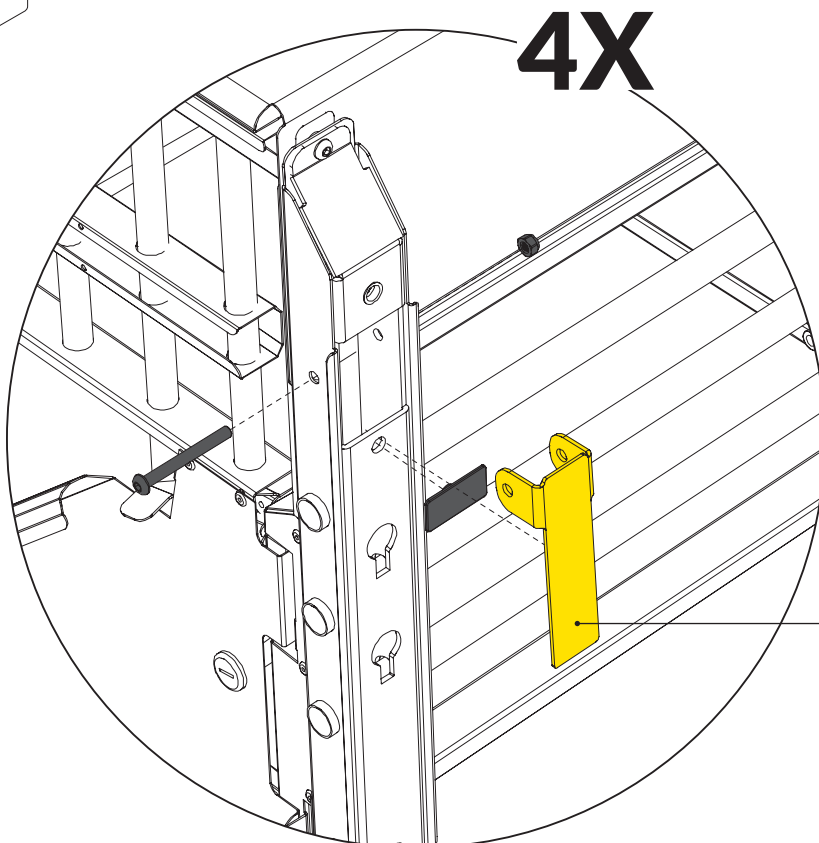
M-SM6x14IA
8X



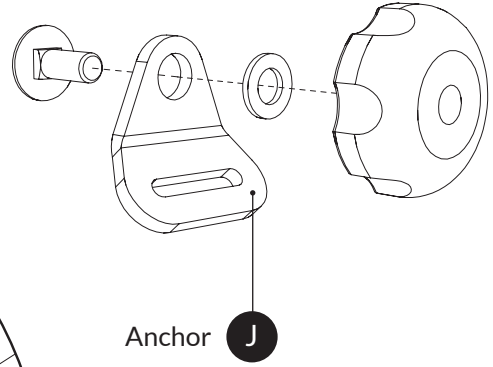
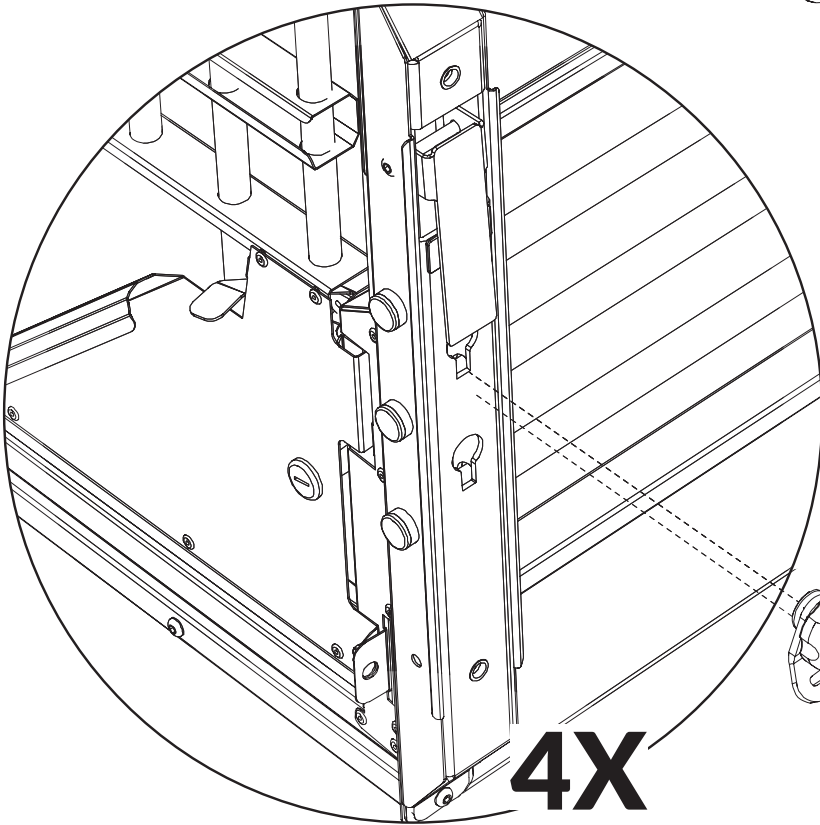
STEP
5

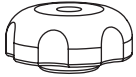




STEP
6

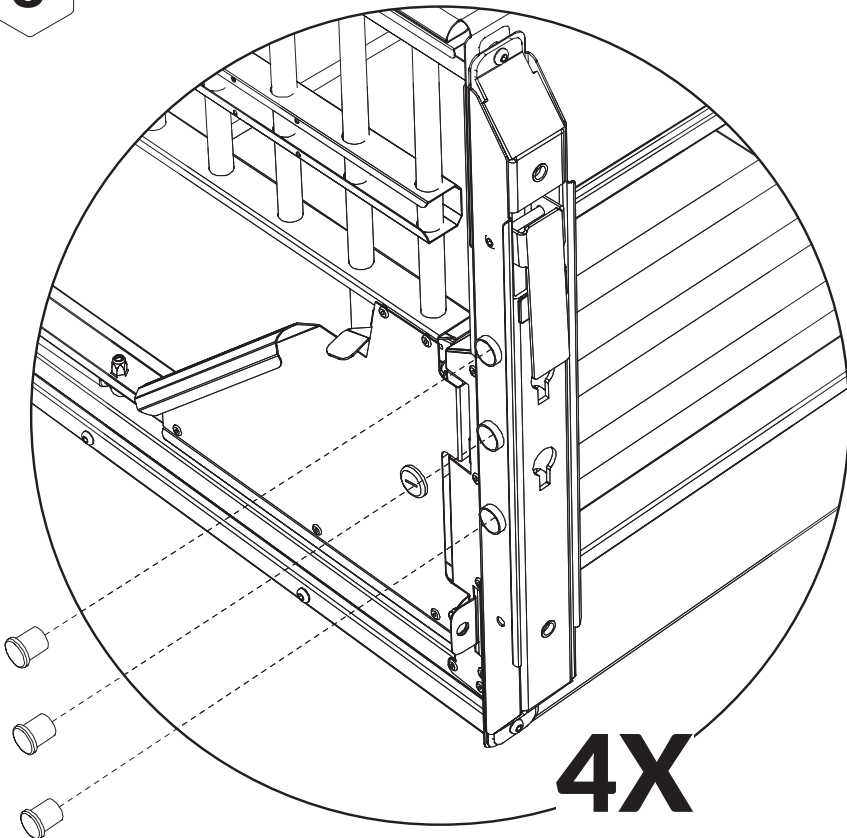



STEP
7



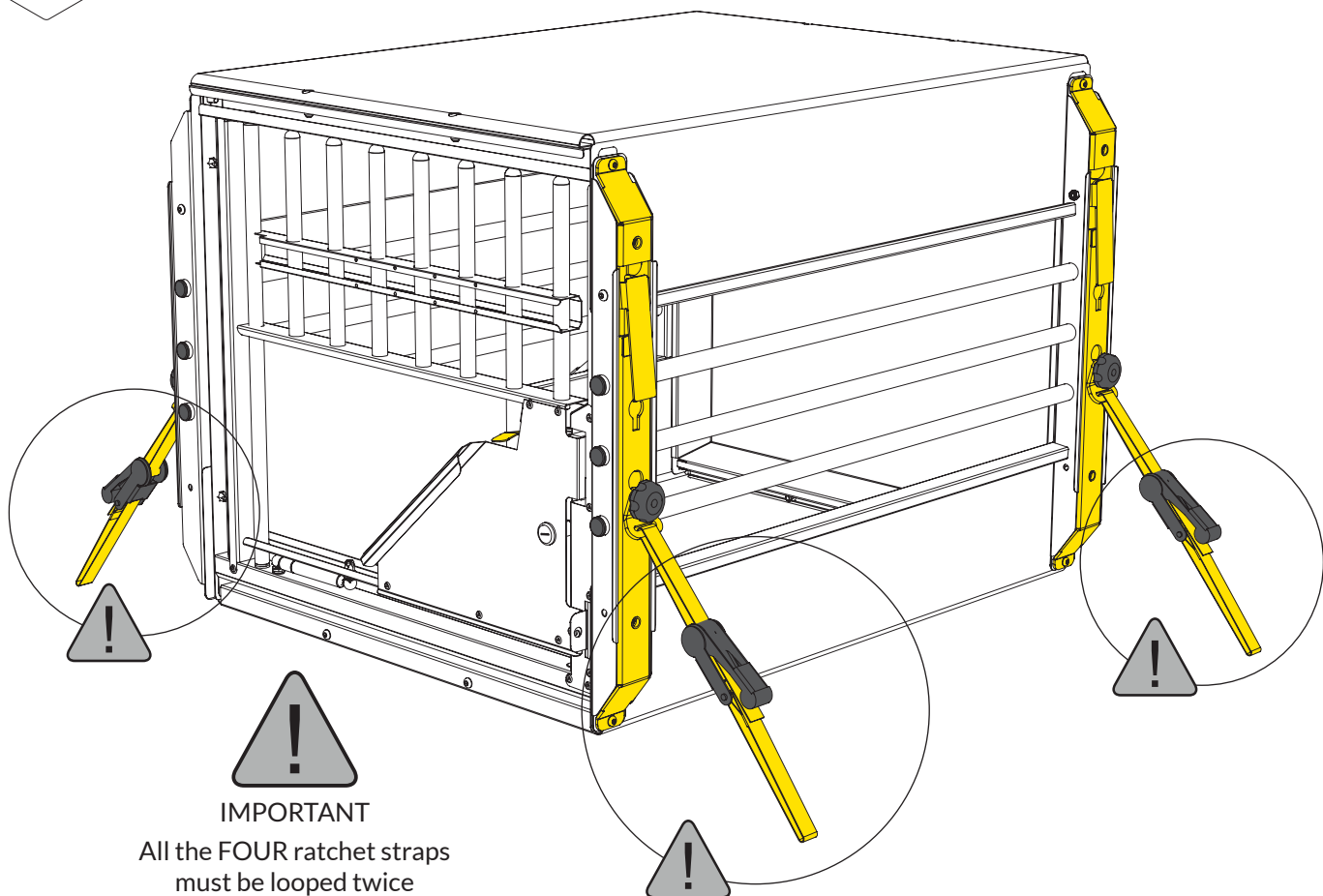
M-460641 4X 	
M-BR8x19x1,5S 4X 	M-VBM8x20S88 4X 

STEP
8

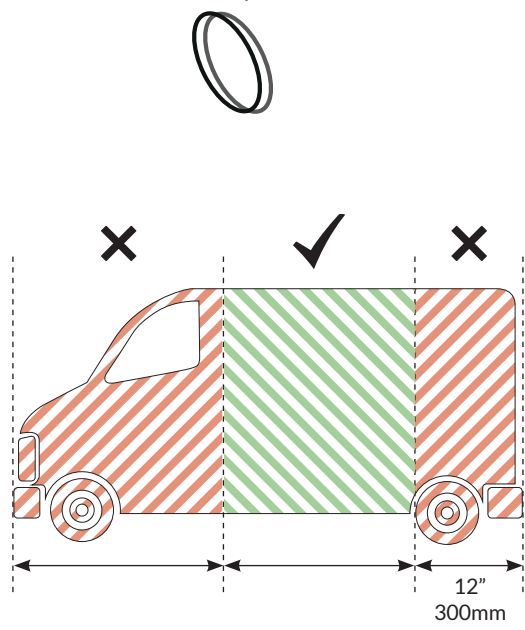


IKP1915-17S 12X 
plastic end caps

STEP
11



IMPORTANT
All the **FOUR** ratchet straps
must be looped twice



Where to place the MultiCage

