



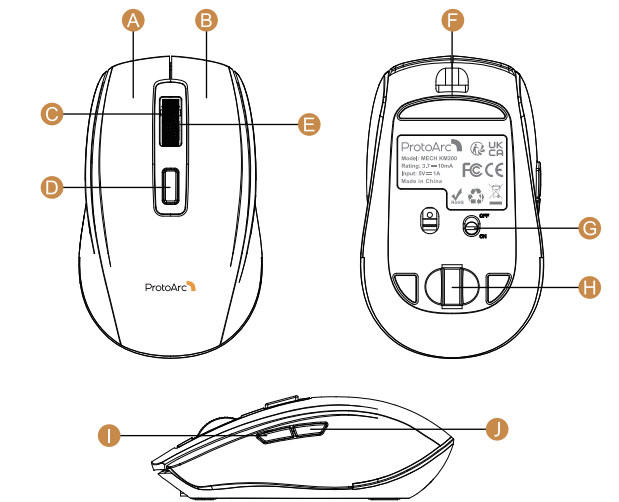
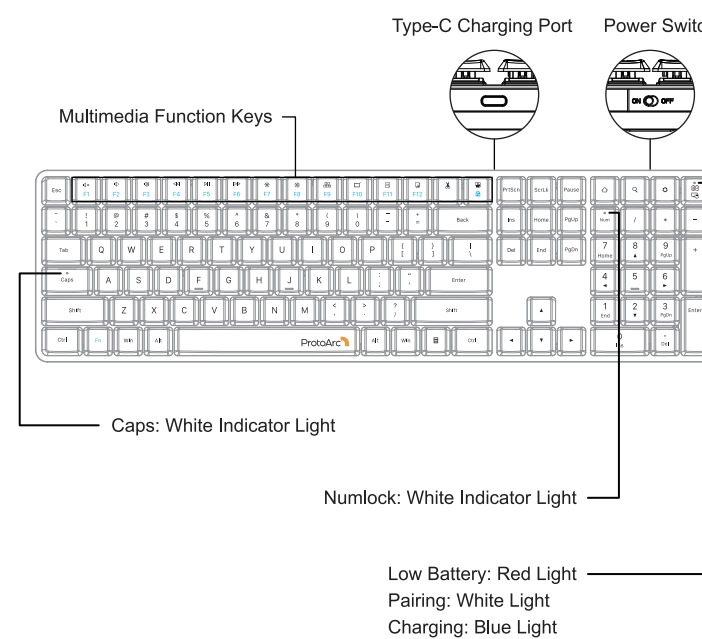
# MECH KM200

## User Manual

Full-Size 2.4G Wireless Mechanical Keyboard and Mouse Combo

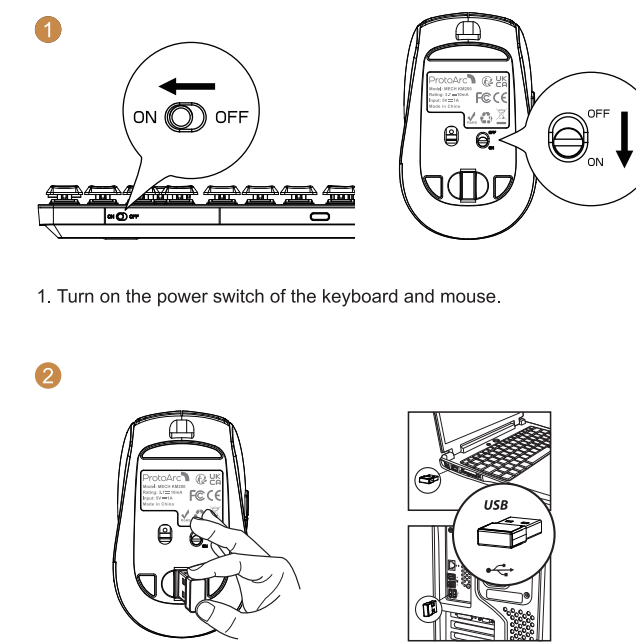
support@protoarc.com  
www.protoarc.com  
United States: (+1) 866-287-6188  
Monday-Friday: 10am-1pm, 2pm-7pm (Eastern Time)\*Closed during Holidays

### Product Features



- A Left Button
- B Right Button
- C Scroll Wheel Button
- D DPI Switch Button
- E Low Battery/Pairing: Red Light  
Charging: Blue Light  
DPI: Red Light
- F Type-C Charging Port
- G Power Switch
- H USB Receiver
- I Forward Button
- J Backward Button

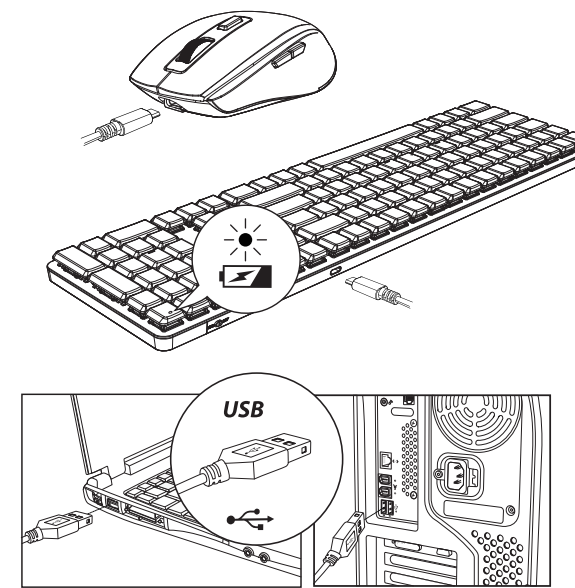
### 2.4G Wireless Connection



1. Turn on the power switch of the keyboard and mouse.

2. Take out the USB receiver from the bottom of the mouse and insert it into your computer's USB port, the keyboard and mouse are now ready for use.

### Charging Guide



1. When the battery is low, the low battery indicator light will start flashing in Red until the keyboard/mouse is turned off.

2. Insert the USB-A end into the computer port and plug the Type-C end into the keyboard/mouse. The blue indicator light will stay on constantly during charging.

3. A full charging cycle takes approximately 2 to 3 hours. Once the keyboard and mouse are fully charged, the charging indicator blue light will automatically turn off.

### Multimedia Function Button

Key	Function
⏏	Mute
⏮	Volume Down
⏭	Volume Up
⏪	Previous
⏩	Play&Stop
⏴	Next
☀	Decrease Brightness
☀	Increase Brightness
🖥	Multi-window Preview
🖥	Show Desktop
📄	Select All
📄	Copy
✂	Cut
📄	Paste
🔒	FN Lock
🏠	Home
🔍	Search
⚙	Computer System Setting
🔒	Lock Screen

Direct press is multi-media function, F1-F12 function needs press FN plus implementation.

### Product Specifications

Keyboard Parameters:	
Compatibility	Supports Win XP to Win 11
Battery Capacity	300mAh
Working Current	<10mA
Sleep Current	<50uA
Charging Time	<2Hour
Wake Up Way	Press any key
Weight	24.87oz(705g)
Keyboard Dimension	16.89 * 4.76 * 1.03 inch

Mouse Parameters:	
Engine	Optics
DPI	800/1200 (Default)/1600DPI
Working Current	<10mA
Battery Capacity	300mAh
Charging Time	<2Hour
Weight	2.65oz(75g)
Mouse Dimension	4.27 * 2.59 * 1.47 inch

### Sleep Mode

1. When the keyboard has no activity for more than 5 seconds, it will automatically enter sleep mode, and the indicator light will turn off.

2. To wake up the keyboard, simply press any key on the keyboard, and it will be ready within 3 seconds. The indicator light will light up again.

### Tips

1. If the keyboard and mouse are not working or stop pairing? Please charge the keyboard and mouse immediately, press and hold the ESC+K keys on the keyboard for more than 3 seconds, the white indicator light will illuminate when the 2.4G pairing is successful. Keep the USB receiver and keyboard within a distance of approximately 10cm. Insert the receiver into a USB port on your computer, once the white indicator light turns off, it should work normally. Turn the power switch on the bottom of the mouse to the ON position. Simultaneously, press and hold the left, middle, and right buttons for more than 3 seconds until the red indicator light under the scroll wheel illuminates. Keep the USB receiver and mouse within a distance of approximately 10cm. After inserting the receiver into a USB port on your computer, the red indicator light will turn off, indicating that it is ready for normal operation.

2. Does it support compatibility with Mac OS systems? It only supports basic functions and is not compatible with some multimedia and special key combination features.

3. Can the mechanical switches be replaced? The switches are soldered and cannot be replaced by customers. However, the keycaps can be replaced with cross-shaped keycaps.

### Packing List

- ▶ 1 x Wireless Keyboard
- ▶ 1 x Wireless Mouse
- ▶ 1 x Type C Charging Cable
- ▶ 1 x User Manual