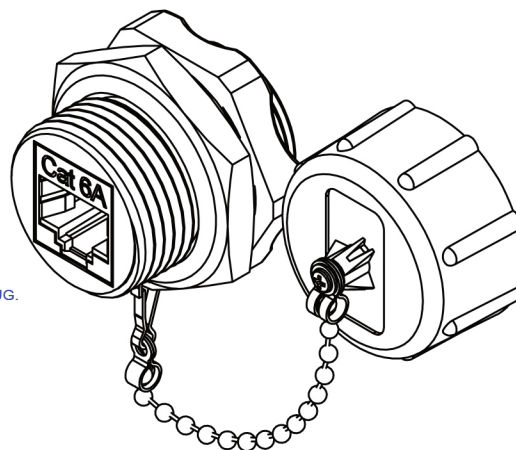
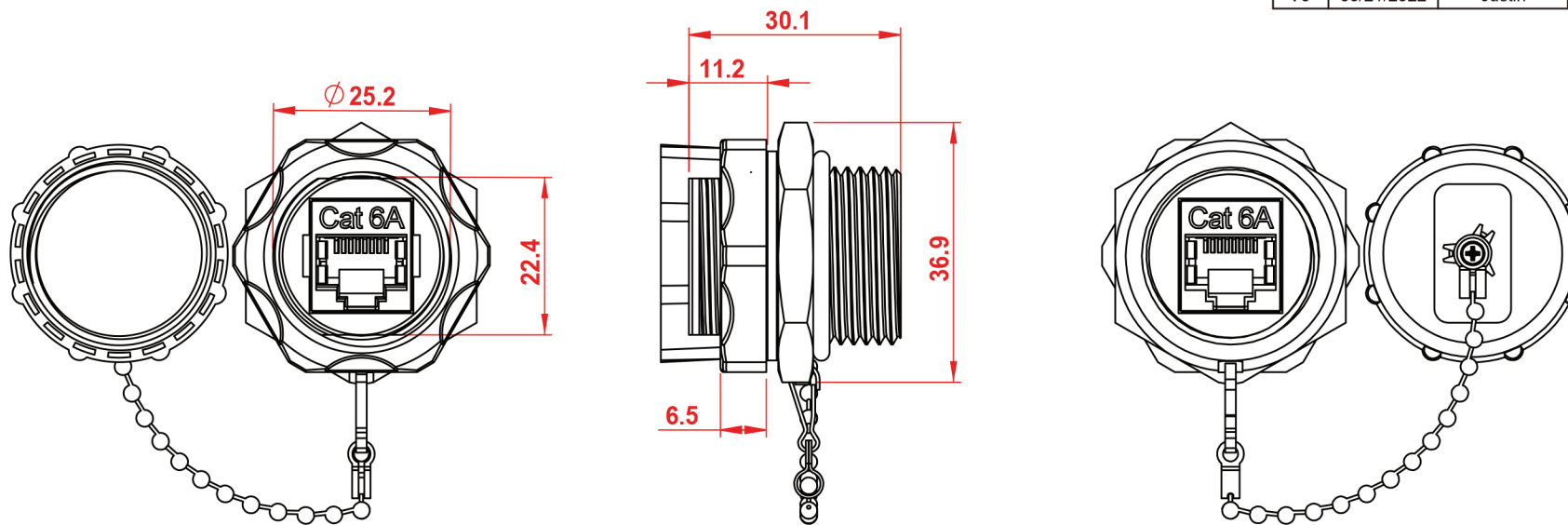


REVISION INFORMATION			
Rev.	Rev. Date	Modified By	Brief Description
V0	03/21/2022	Justin	Initial issue



MATERIAL

MAIN BODY : PBT+GF,UL94V-0.
 SHIELDED CASE : BRASS,NICKEL PLATED.
 COUPLER HOUSING : ABS,UL94V-0.
 JACK CONTACTS : PHOSPHOR BRONZE,50U" GOLD PLATED.

PHYSICAL CHARACTERISTICS

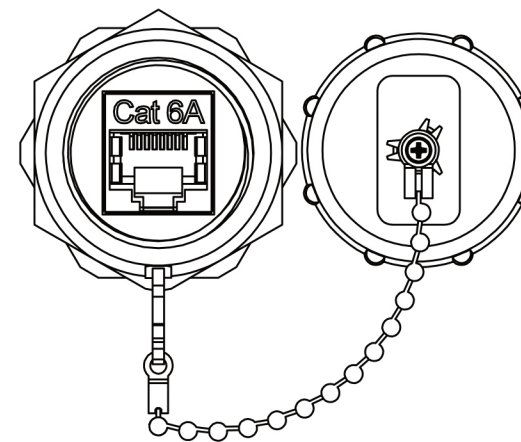
INSERTION LIFE : 750 MATING CYCLES WITH FCC COMPLIANT 8P PLUG.
 PLUG RETENTION FORCE : 11 LBF MIN.
 OPERATING TEMPERATURE RANGE : -10°C TO 60°C.
 STORAGE TEMPERATURE RANGE : -40°C TO 68°C.
 HUMIDITY : 10% TO 90% RH (NON-CONDENSING).

ELECTRICAL

INSULATION RESISTANCE : 500 MΩ MINIMUM.
 DC CURRENT RATING : 1.5 Amps.
 INPUT TO OUTPUT D.C. RESISTANCE : 200 mΩ MAXIMUM.
 CONTACT RESISTANCE : 20 mΩ MAXIMUM.
 VOLTAGE PROOF (CONTACT TO CONTACT) : 1000 V D.C. OR A.C. PEAK.

NOTE

ONLY ACCEPT RJ-45 8P8C PLUG.



IP68

ACCORDING TO IEC 60529

Degrees of Protection Provided by Enclosures

6: Dust-tight

8: Protected from immersion in water for 60 minutes at a depth of 1.5 meter.




Cat 6A

56Y4
E145249



ACCORDING TO : ANSI/TIA-568.2-D
 ISO/IEC 11801-1
 IEC 60603-7

IEEE 802.3bt Power over Ethernet Plus Plus(4PPoE) application
 IEC 60512-99-002 Mating and un-mating connectors under electrical load



BigCatCables

DRAWN BY	Justin	DATE:	03/21/2022
CHECKED BY		SHEET 1 of 4	DESCRIPTION: Cat 6A RJ45 Shielded Industrial Panelmount Bulkhead Coupler with Dust Cap
APPROVED BY		SCALE 1 : 1	ITEM NO. BC-8096-C
		REV. 00	UNIT:mm

NO.	PART NAME	SPECIFICATION DESCRIPTION	QTY	UNIT
③				
②				
①				

Unless specified on the drawing, tolerances are per the follows:
 .x +1
 .xx +0.2
 .xx +0.05