

# DEZZI



## KATO

# HD1023-R5 HYDRAULIC EXCAVATOR



## BUILT AFRICA TOUGH

### Engine

Type : Mitsubishi  
 Model : 4M50  
 Displacement: 4.89 Ltr  
 Power : 122kW @ 2200RPM (ISO Net)  
 Torque : 565Nm @ 1600RPM (ISO Net)

### Hydraulic System

- Double variable piston pump and gear pump
- 5 + 4 section multiple control valves (with one free service circuit)

### Cab & Controls

- All weather sound suppressed cab mounted on 6 point viscous mounting
- Right hand levers control the boom and bucket
- Inner right hand lever (with foot pedal) controls the right hand track
- Inner left hand lever (with foot pedal) controls the left hand track
- Left hand lever controls the arm and swing
- Pilot control - travel, boom, arm, bucket and swing
- Engine throttle - Electric Accell dial
- Meter & Gauges - Hour meter, Water temperature and Fuel level
- Work lights provided on the left side of boom and right side of front cover
- Lubrication chart on inside of left front cover

### Travel System

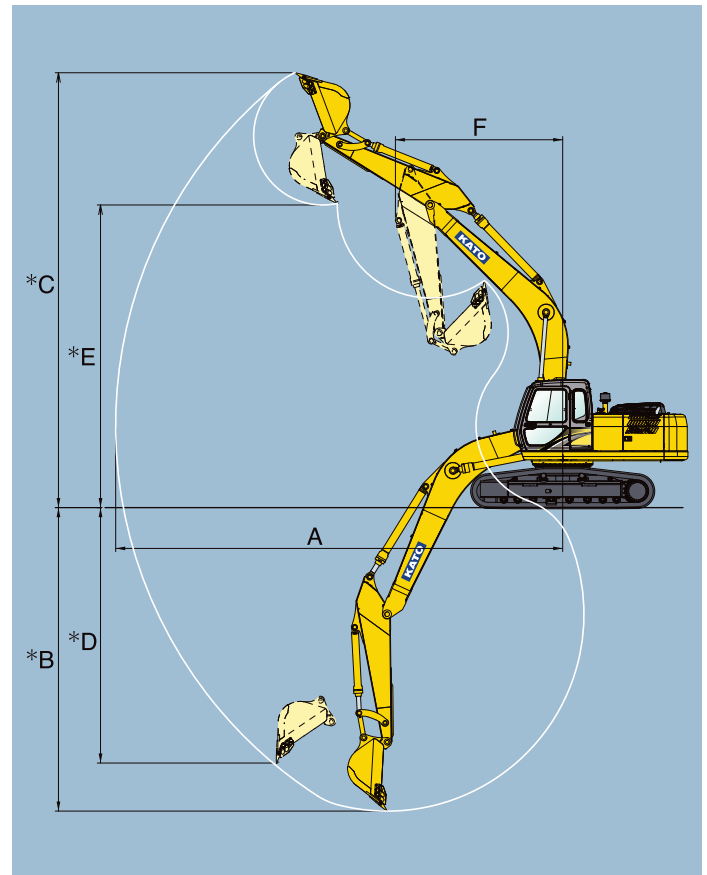
- Drive - Independent axial piston motor with reduction for each side
- Brakes - Independent disk parking brake for each side applied automatically when the travel levers are in neutral position
- Lubrication - Sealed for life rollers and front idlers with floating seals

### Service Capacities

Cooling system : 25 Liters  
 Engine Oil : 21 Liters  
 Hydraulic Tank : 165 Liters  
 Hydraulic System : 290 Liters  
 Diesel Tank : 470 Liters  
 Track Drives : 2 x 5.3 Litres

### Operating Weights

Operating weights : 23700 kg  
 Ground Pressure : 57kPa

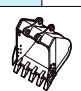


Unit: mm

Range	Arm	Standard arm 2.96m
A : Maximum digging radius		10,350
* B : Maximum digging depth		7,010
* C : Maximum digging height		10,060
* D : Maximum vertical wall		5,910
* E : Maximum dumping height		6,990
F : Min. swing radius		3,870

\* Less rouser bar

### Bucket

Type of bucket		Backhoe bucket	
Bucket capacity	m <sup>3</sup> , ISO	1.0	1.1
Bucket width	W/O side cutters mm	1,170	1,220
	with side cutters mm	1,280	1,330
	kg	900	875
Number of bucket teeth		5	5
Shape of bucket			

### PORT SHEPSTONE HEAD OFFICE

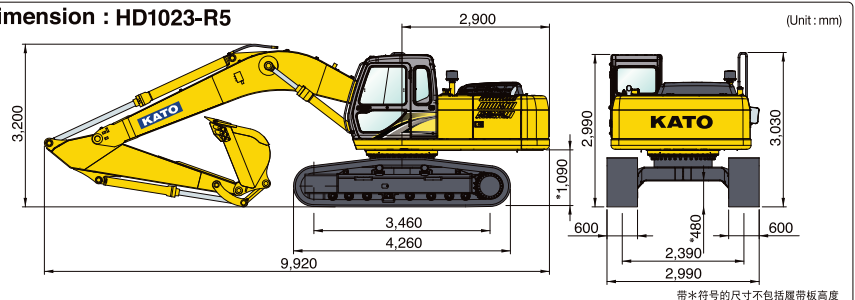
Tel: 039 685 4100 | Fax: 039 685 4476

E-mail: dezzi@venturenet.co.za

PO Box 111 Port Shepstone 4240, South Africa

Web: www.dezzi.co.za

### Dimension : HD1023-R5



带\*符号的尺寸不包括履带板高度