

DIESEL BOWSER 1000

Heavy duty construction and suspension

2.5 ton Axle

0.378 m Ground clearance

16" Tyres

Badger Biomass Equipment mobile diesel trailer is designed and manufactured by ABC and adds to the equipment range.

This innovative design's key features are mobility and security. It is of durable construction, able to access almost all terrains.

The breakaway trailer comes standard with a tow eye, but is also available in a ball mount with parking chain option.

Specifications:

998 L Diesel tank enclosed and lockable filler cap for security

Pump volume: 40L / min

12 V Electrical connection

Single 2.5 ton axle trailer with rear lights

Lockable nose cone (see list on next page)

Dimensions of the trailer:

Length: 3.195 m

Height: 1.640 m

Weight: 640kg (fuel weight excluded)

Ground clearance: 0.378 m





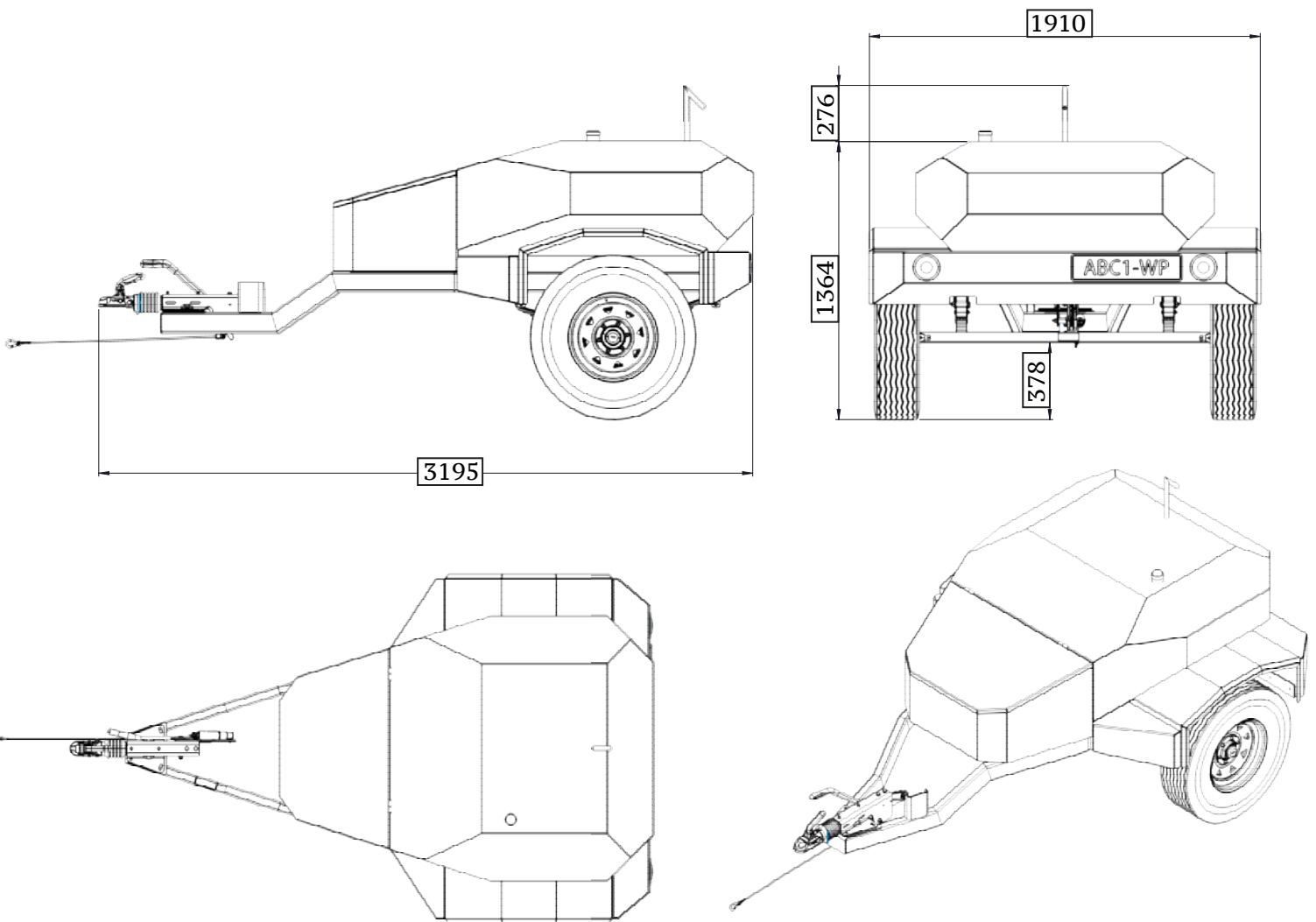
Durable & Unique

BADGER BIOMASS EQUIPMENT

www.abc.co.za Head office: +27 23 342 1212

Lockable nose cone:

- Clear in-line filter
- Water trap
- Fuel meter
- Filler gun
- Fire extinguisher



BADGER BIOMASS EQUIPMENT:

A brand created by ABC to supply equipment that is innovative, unique and durable for the Biomass industry.



AFRICA
BIOMASS
COMPANY