



## DEZZI CMI 884 BACKHOE LOADER



**BUILT AFRICA TOUGH**



# DEZZI CMI 884 BACKHOE LOADER

## SPECIFICATION SHEET

\*Desmond Equipment SA (Pty) Ltd reserves the right to modify specifications without notice.

### ENGINE

**TYPE :** TIER II  
**MODEL :** Perkins  
**CAPACITY :** 4.4 Liters  
**POWER :** 100hp / 74.5kW @ 2200RPM  
**TORQUE :** 408 Nm @ 1400RPM

### TRANSMISSION

**TYPE :** ZF 4WG 94  
**MODEL :** Powershuttle - Autoshift  
**MAXIMUM SPEED IN GEARS :** 4 Forward - 4 Reverse  
**SPEED (4TH GEAR) :** 40Km/H  
**TRANSMISSION DISCONNECT :** With brake system

### AXLES

**FRONT :** ZF - Ease of operation with Hydrostatic steering system even under high load conditions.  
 Limited Slip differential. 18° oscillation on front axle.  
 52° steering angle for perfect maneuverability.  
**REAR :** ZF - High input torque with outboard planetary design.  
 Electro-hydraulic operated differential 100% locking acts on rear axle.  
 Self adjusting high torque internal wet multi disc service brake.

### TYRES

**FRONT 4WD :** 12.5/80-18  
**REAR 4WD :** 16.9-28

### BRAKES

**2 WHEEL / 4 WHEEL :** 2 wheel  
**SERVICE BRAKE :** Hydraulic wet multi disc  
**PARK BRAKE :** Mechanical control on rear axle

### STEERING

**STEERING TYPE :** 2 Wheel  
**POWER STEERING :** Hydrostatic

### ELECTRICS

**BATTERY :** 12 Volt / 120 Amp  
**STARTER :** 3kW

### HYDRAULIC SYSTEM

- Hydraulic speed control system
- Bolt type cylinder design with all sealed pins and bushes for easy maintenance and long life
- Cushioned swing and boom provides maximum operator comfort for fast and smooth trenching
- Hydraulic & Transmission oil coolers

**SYSTEM TYPE :** O-Centre  
**HYDRAULIC PUMP :** Tandem Gear  
**MAX FLOW :** 90 + 64L/min  
**MAX PRESSURE :** 220 bar

### HYDRAULIC CONTROLS

**BACKHOE CONTROLS :** Mechanical Control Levers  
**LOADER CONTROLS :** Mechanical Control Levers

### CAB

- Specially designed ROPS/FOPS cab provides perfect operating comfort, excellent visibility and reliability
- Full opening of rear window & side windows and partial and full opening of the doors provide superior fresh air circulation in the cab, tinted safety glass improves visibility and sun visor protects operator against sunlight and ensures clear vision.
- Air-conditioned cabin and operator fan as standard
- Radio/CD Player

### SERVICE CAPACITIES

**COOLING SYSTEM :** 25 Liters  
**ENGINE OIL :** 8.4 Liters  
**REAR AXLE DIFFERENTIAL :** 16 Liters  
**FRONT AXLE DIFFERENTIAL :** 7.8 Liters  
**HYDRAULIC TANK :** 75 Liters  
**HYDRAULIC SYSTEM :** 130 Liters  
**DIESEL TANK :** 140 Liters

### OPERATIONAL WEIGHTS

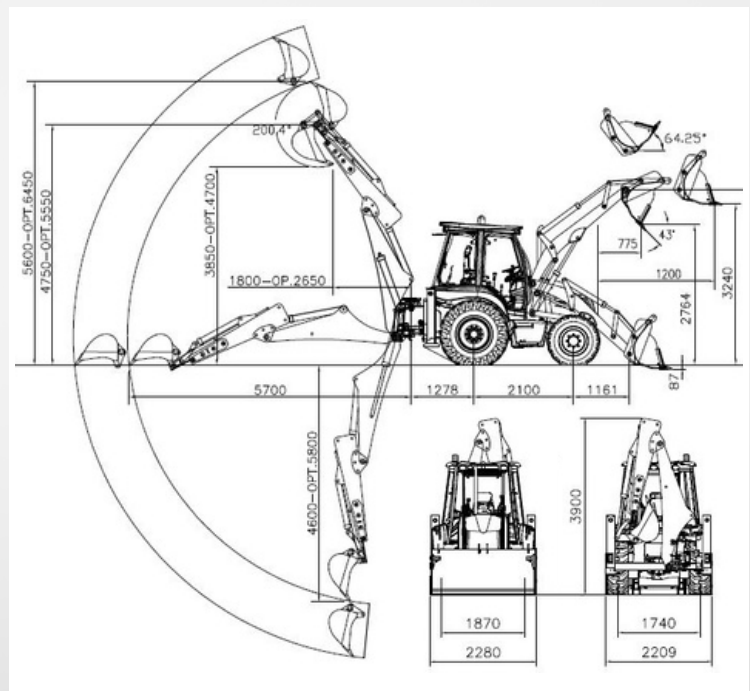
7 600kg - 8 100kg

### BACKHOE ATTACHMENT

**MAX BUCKET TEAROUT :** 59,1 kN  
**DIPPER TEAROUT :** 31,8 kN  
**BUCKET CAPACITY :** 0.2m<sup>3</sup>

### LOADER ATTACHMENT

**BUCKET CAPACITY :** 1.1 m<sup>3</sup>  
**BREAKOUT FORCE LIFT :** 60.5 kN  
**BREAKOUT FORCE SHOVEL MAX :** 81.5 kN  
**SHOVEL WIDTH :** 2 280mm  
**LIFT TO FULL HEIGHT :** 3 500kg



**BUILT AFRICA TOUGH**



**CALL : 0800 DEZZI / 33994**

Head Office: +27 (0)39-685 4100

Email: info@dezzi.co.za

www.dezzi.co.za