



# DEZZI AT30B ARTICULATED TIMBER TRUCK

6X6



**BUILT AFRICA TOUGH**  
Designed & Manufactured in South Africa

[www.dezzi.co.za](http://www.dezzi.co.za)





# AT30B ARTICULATED TIMBER TRUCK

## SPECIFICATION SHEET

\*Desmond Equipment SA (Pty) Ltd reserves the right to modify specifications without notice.

### ENGINE

TYPE : Cummins  
 MODEL : QSB 275 - TIER 3  
 CAPACITY : 6.7 Liters  
 POWER : 205kW @ 2200RPM  
 TORQUE : 990Nm @ 1500RPM

### TRANSMISSION

TYPE : ZF  
 MODEL : 6WG210  
 GEARING : Constant mesh counter shaft with integral drop box  
 GEARS : Forward - 6  
 Reverse - 3  
 SPEED : 42Km/H  
 TORQUE CONVERTER : Single phase 3 element, lock-up clutches effective in all gears. Downshift protection.

### AXLES

FRONT : ZF MT-D 3095 axle - with self leveling air-ride suspension  
 REAR : Dezzi tandem-drive free-swinging walking beam.  
 Rockwell differential with reduction in tandem.  
 Heavy duty SAHR park brake.

### TYRES

FRONT : 23.5 R25 REAR : 23.5 R25

### BRAKES

FRONT WHEELS : Sealed outboard wet disc brakes  
 REAR WHEELS : Dry disc caliper brakes  
 PARK BRAKE : Failsafe spring-applied hydraulic release

### FRAME

Heavy duty robust frame, front and rear with tube type oscillation, adjustable

### STEERING

- Articulated with 40 degree steering angle either side
- Load-sensing, orbital-controlled
- Ground driven emergency steering

### ELECTRICS

VOLTAGE : 24 Volt  
 BATTERY : 2 x 12 Volt sealed type  
 ALTERNATOR : 24 Volt / 70 Amp

### HYDRAULIC SYSTEM

OIL CAPACITY : 160 Liters  
 PUMPS : Variable displacement piston pump  
 WORKING PRESSURE : Steering - 13.7 Mpa  
 Tipping - 17 Mpa  
 Full flow filtration

### CAB

- Fully adjustable weight compensation swivel seat with seat belt
- ROPS and FOPS certified
- Rubber mounted
- Windscreen wiper
- Fully enclosed and lockable
- Rotating orange beacon light
- Rear cab night working lights

### SERVICE CAPACITIES

COOLING SYSTEM : 50 Liters  
 ENGINE CRANKCASE : 21 Liters  
 FRONT DIFFERENTIAL : 36 Liters  
 FRONT PLANETARY HUBS : 8 Liters per side  
 REAR TANDEM DRIVE : 220 Liters  
 TRANSMISSION : 18 Liters  
 DIESEL TANK : 250 Liters

### OPERATIONAL WEIGHTS

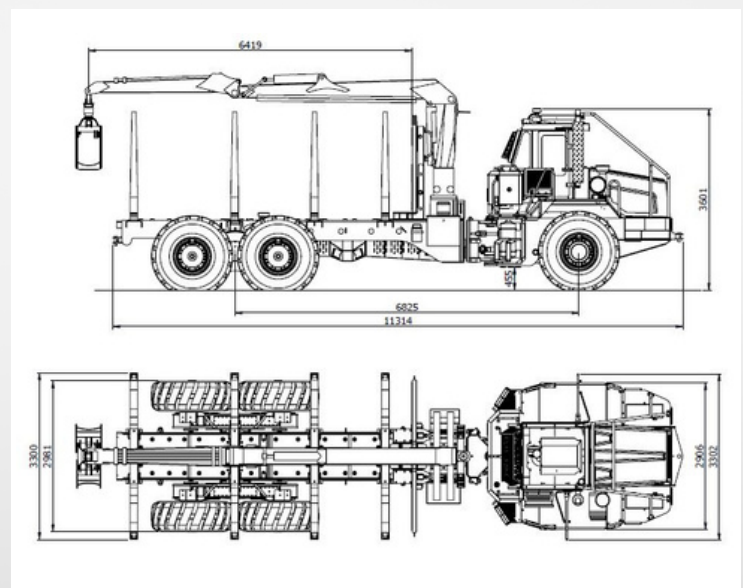
	Tare	Gross	Payload
FRONT AXLE :	8 640	13 640	4 720
MIDDLE AXLE :	5 280	15 130	9 850
REAR AXLE :	5 280	15 130	9 850
TOTAL :	19 200	43 900	24 420

### STANDARD EQUIPMENT

- Emergency braking
- Full belly-plate protection
- Rear window guard
- Tinted windows
- Front tow hooks
- Back-up alarm
- Full road ordinance lights

### LOAD CAPACITY

36,0m3



CALL : 0800 DEZZI / 33994  
 Head Office: +27 (0)39-685 4100  
 Email: info@dezzi.co.za  
 www.dezzi.co.za