



DEZZI 3-WHEELED BRICK HANDLER



BUILT AFRICA TOUGH

Designed & Manufactured in South Africa

www.dezzi.co.za



DEZZI 3-WHEELED BRICK HANDLER

SPECIFICATION SHEET

*Desmond Equipment SA (Pty) Ltd reserves the right to modify specifications without notice.

ENGINE

MAKE : Deutz F4L912
 POWER : 46KW / 230NM @ 1600RPM
 RPM : Governed @ 2000RPM
 MOUNTING : 6 Point Rubber Mounting
 SAFETY : Mechanical shut-off

WHEEL DRIVE SYSTEM

WHEEL MOTOR : Poclain MS18 2000cc
 WHEEL TORQUE : 13 300 NM per Wheel

DRIVE PUMP

MODEL : Poclain - PM50 Tandem
 OPERATOR CONTROL : Servo Foot Pedal Valve
 DISPLACEMENT : 45cc Per Side
 RELIEF VALVE : 350 Bar
 CHARGE PUMP : Integrated Gear Pump
 CHARGE PRESSURE : 25 Bar
 DRIVE COUPLING : HD Guardex 65

WHEELS

TYRES FRONT : 17.5 x 25 L4
 RIM FRONT : 14-25 3 Piece
 TYRE REAR : 400/60 x 15.5 High floatation
 RIM FRONT : 13 x 15.5 Reinforced 1pc

BRAKES

PARK BRAKE RELEASE : 18 Bar Hydraulic Pressure
 TYPE : Multi Disc Spring Applied
 SERVICE BRAKE : Hydrostatic Foot Pedal Control

HYDRAULICS

HYDRAULIC TANK TYPE : Frame Tubing Integrated
 HYDRAULIC OIL COOLING : Electric Fan Hydraulic Cooler

IMPLEMENT HYDRAULICS

PUMP TYPE : Gear Pump Driven
 FUNCTION VALVE : Open Centre Valve with Port Relief

CAB (STANDARD)

TYPE : Open - No doors
 PROTECTION : HD removable front guard
 SEAT BELT : Suspended Lap Belt; 4 Point Harness Optional

CAB (AIR-CONDITIONED)

TYPE : Sealed-Frame Integrated
 HVAC SYSTEM : 12V Fan, Engine Belt Driven Aircon Compressor
 SEAT BELT : Suspended Lap Belt; 4 Point Harness Optional
 WINDOWS : Glazed windscreen with wiper, glazed operator door windows
 PROTECTION : HD removable windscreen guard; removable operator door window guards

OPERATIONAL WEIGHTS

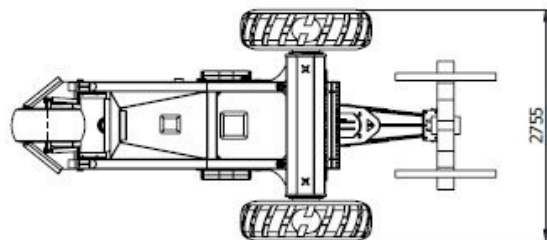
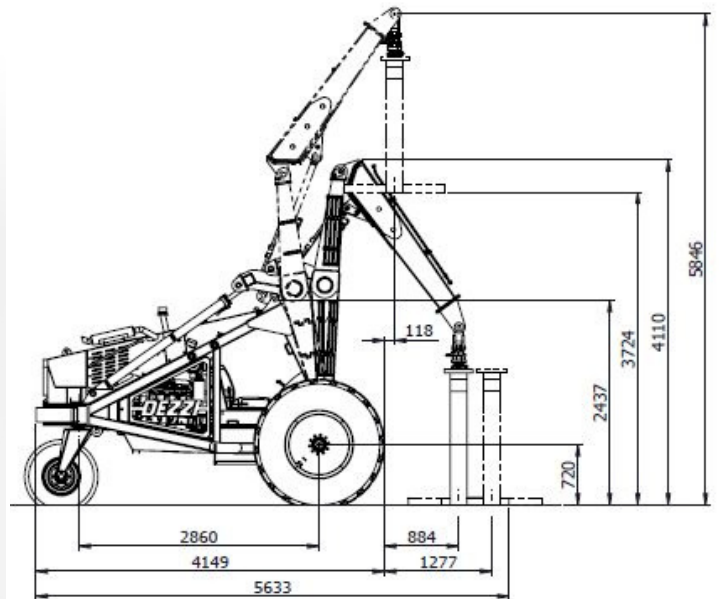
FRONT UNLADEN : 4 650kg
 REAR UNLADEN : 2 730kg
 TOTAL UNLADEN : 7 380kg
 LIFTING CAPACITY : 1 600kg

SERVICE CAPACITIES

FUEL TANK TYPE : Bolt Mounted on Frame
 FUEL TANK CAPACITY : 85L

ATTACHMENT

- BRICK GRAB
- 5 TON ROTATOR



CALL : 0800 DEZZI / 33994
 Head Office: +27 (0)39-685 4100
 Email: info@dezzi.co.za
 www.dezzi.co.za