



DEZZI 14m³ WALKING BEAM REAR-TIP SLAG TRAILER SPECIFICATION SHEET

*Desmond Equipment SA (Pty) Ltd reserves the right to modify specifications without notice.



SPECIFICATIONS

TIPPING SYSTEM

Front mounted single-acting telescopic cylinder

AXLES

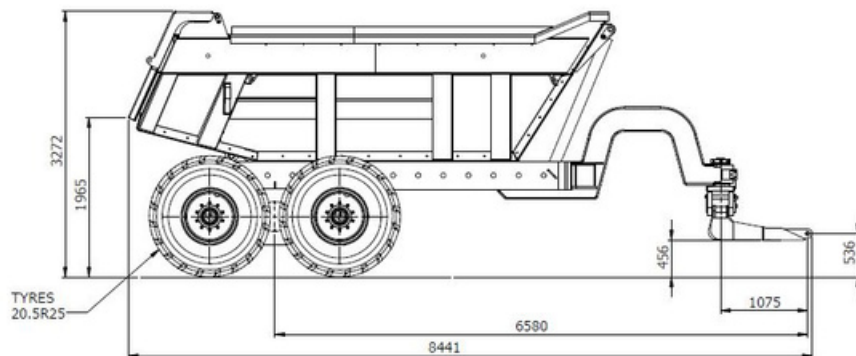
Dezzi 40 ton HD free-swinging walking beam type axle

TYRES

20.5 R25

LOAD CAPACITY

32 000kg



BUILT AFRICA TOUGH



CALL : 0800 DEZZI / 33994

Head Office: +27 (0)39-685 4100

Email: info@dezzi.co.za

www.dezzi.co.za