

THIS DRAWING AND THE INFORMATION CONTAINED WITHIN IT ARE CONFIDENTIAL AND MAY NOT BE COPIED OR DISCLOSED WITHOUT THE WRITTEN PERMISSION OF ABC CHIPPERS & BANDIT.

4

3

2

1

D

D

C

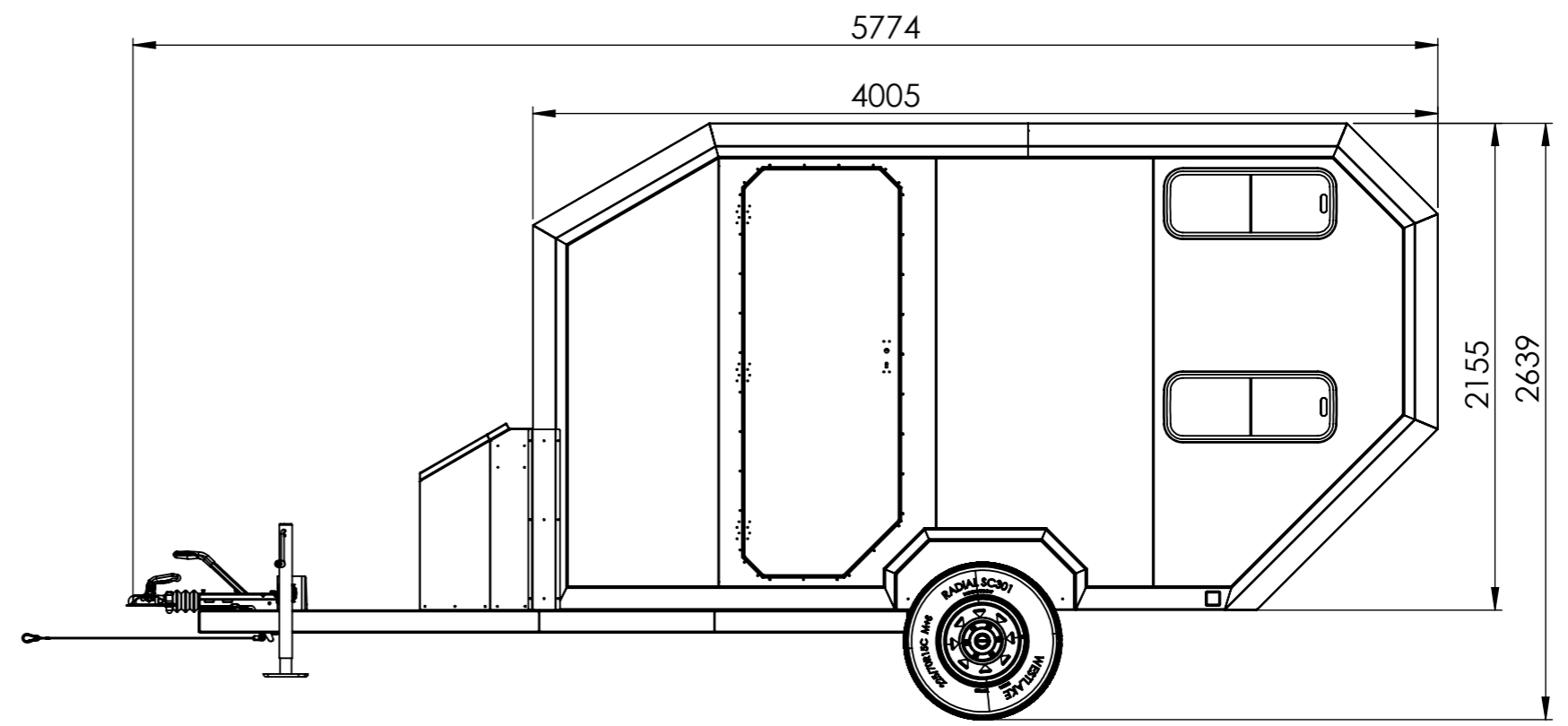
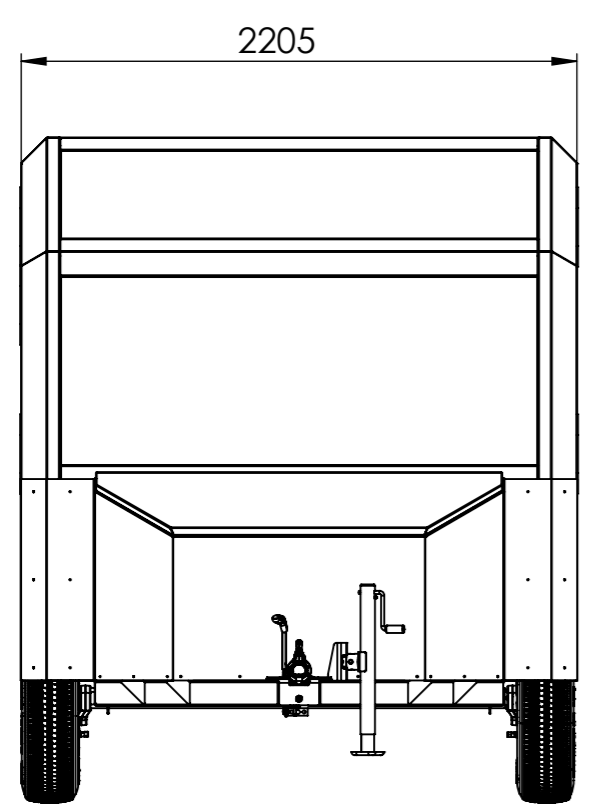
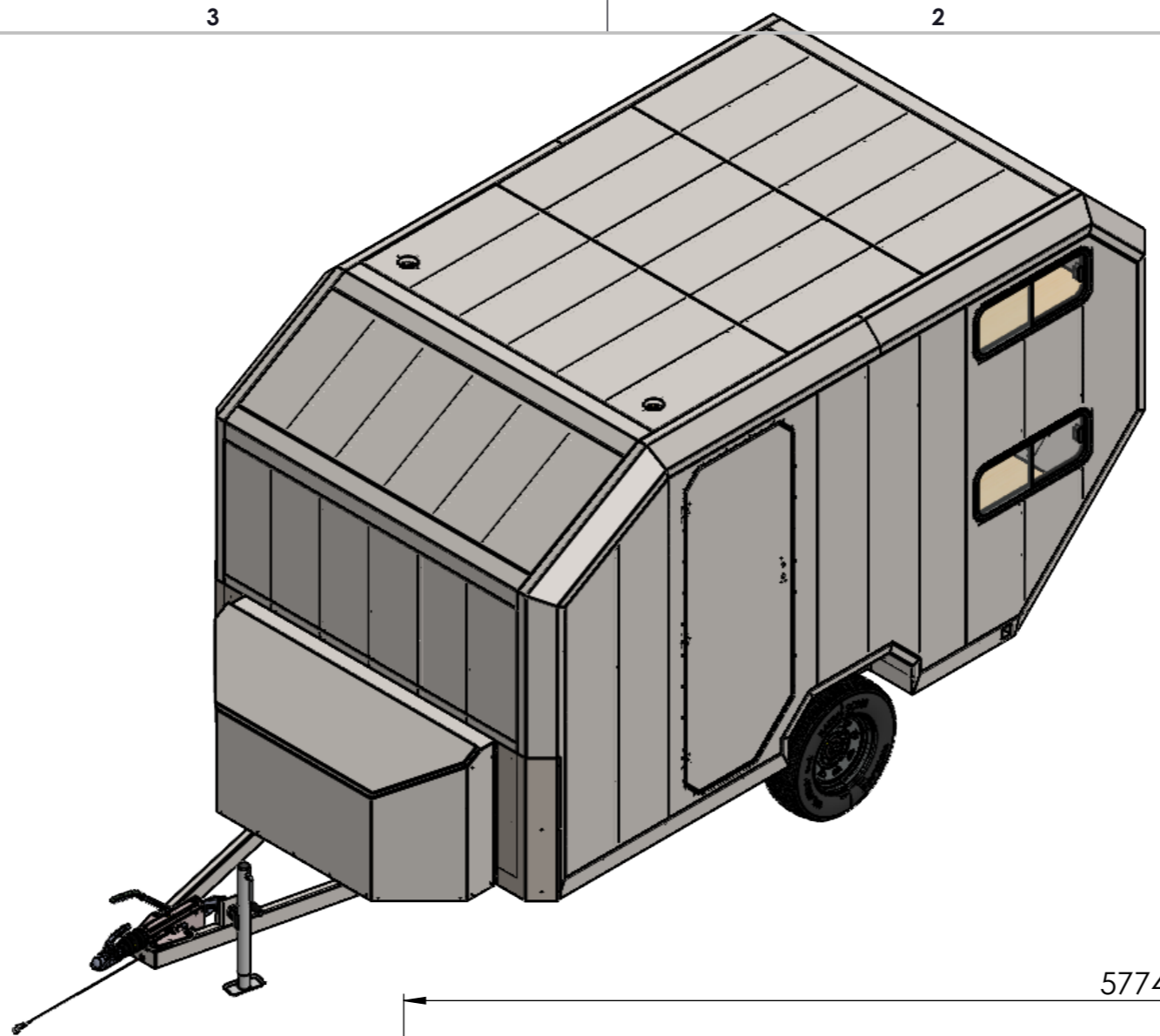
C


B

B

A

A



| | | |
|---|---------------------------------------|---|
|  | AFRICA BIOMASS COMPANY | <small>AUTHORISED DEALER FOR</small> Bandit INDUSTRIES, INC. |
| <small>www.abc.co.za</small> | | <small>TITLE:</small> |
| CMK2-MAIN-ASM - Dimensions | | <small>SHEET 1 OF 1</small> |

4

1